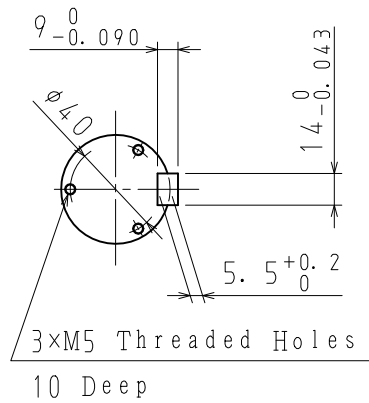
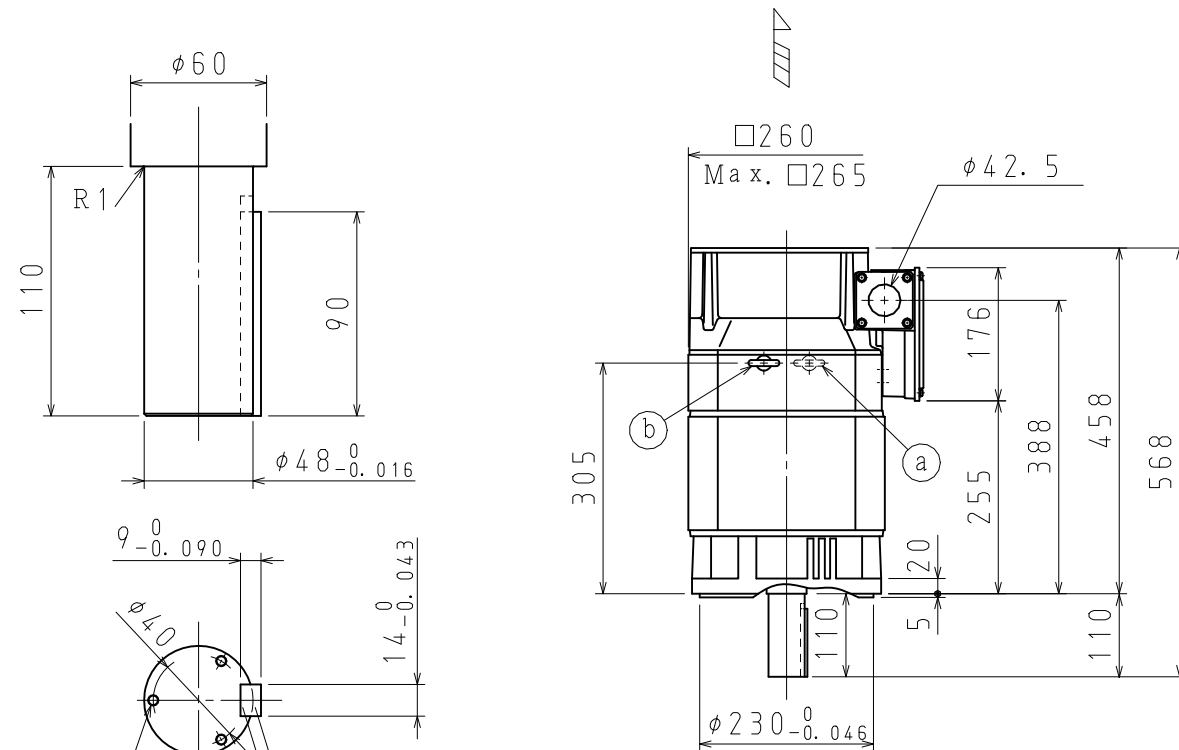
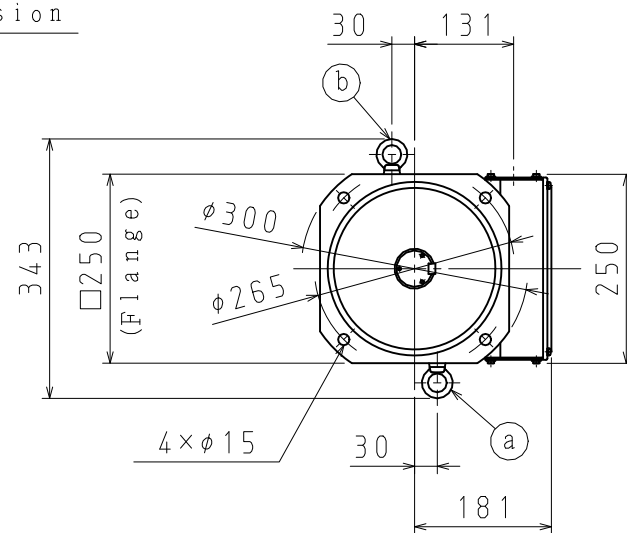


DWG. NO. 900-072-665

All dimensions are in mm.



Detail of Shaft Extension



NOTES.

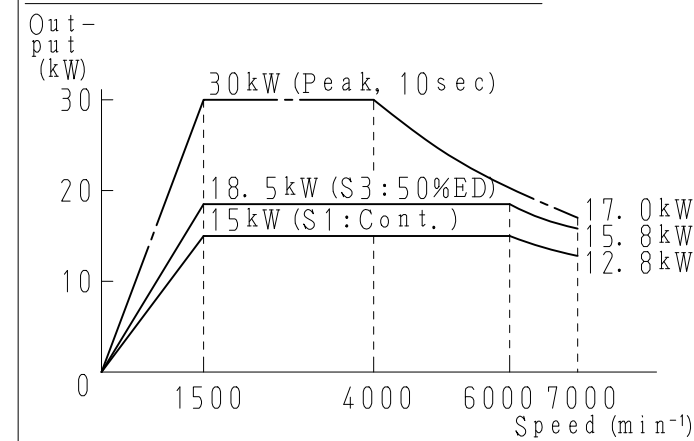
- Arrow ( $\swarrow$ ) indicates the direction of cooling air.
- Without OIL SEAL.

|              |  |
|--------------|--|
| Customer     |  |
| Estimate No. |  |
| Order No.    |  |
| Item No.     |  |
| Application  |  |

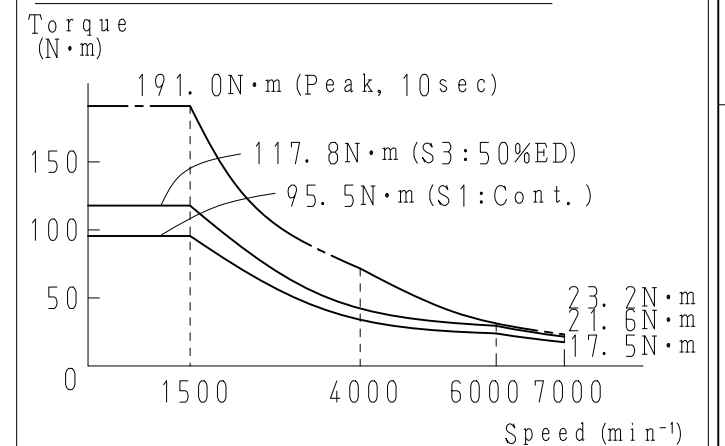
Specification of Motor

|                                      |   |                        |                            |                                    |
|--------------------------------------|---|------------------------|----------------------------|------------------------------------|
| Type                                 | UAKAJ-19CZ100E                                      |                        | Cooling Method             | Externally Fan-cooled Type         |
| Voltage                              | 400 V   |                        | Fan                        | Voltage 400/400 V                  |
| Output                               | S3:50%ED  | 18.5 kW                | Frequency                  | 50/60 Hz                           |
|                                      | S1:Cont.  | 15 kW                  | Input                      | 90/120 W                           |
| Poles                                | 4 P   |                        | Current                    | 0.15/0.17 A                        |
| Speed                                | Base  | 1500 min <sup>-1</sup> | Thermal Class              | F                                  |
|                                      | Maximum   | 7000 min <sup>-1</sup> | Ambient Temperature        | 0~40°C                             |
|                                      | Minimum   | 40 min <sup>-1</sup>   | Vibration                  | V5 or Below                        |
| Inertia ( $\frac{GD^2}{4}$ )         | 0.069 kg·m <sup>2</sup>                             |                        | Noise                      | 75dB (A) or Below                  |
| Over Load Capacity                   | Refer to the graph at the bottom.                   |                        | Approx. Mass               | 94kg                               |
| Allowable Radial Load                | 2940N at the shaft end                              |                        | Painting                   | Munsell Notation N1.5              |
| Protective Enclosure                 | IP44  |                        | Inverter                   | Type $\Sigma$ -V-SD, CACR-JU042D2A |
| Vibration Resistance                 | 24.5m/sec <sup>2</sup> or Below                     |                        |                            | Output                             |
| Characteristics Tolerances (T. I. R) | Maximum Face Runout                                 | 0.04                   | Series                     | Standard                           |
|                                      | Maximum Permissible Eccentricity of Mounting Rabbet | 0.046                  | Encoder Type               | UTMSI-10AAGAZA                     |
|                                      | Shaft Runout at the End                             | 0.022                  | Dimensions of terminal box | 900-111-514                        |

Output-Speed Characteristics



Torque-Speed Characteristics



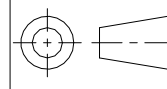
Remarks

•Peak power is the reference characteristic to calculate acceleration time, not guaranteed characteristic.

F



株式会社 安川電機



SCALE 1 : 10

DRAW. K. Maruyama  
CHECK H. Shimono  
APPR. K. Maekawa

TITLE Dimensions of AC Spindle motor

DATE Nov. 06, '09

DWG. NO.

**900-072-665**

REV.

4

F

SIZE A3