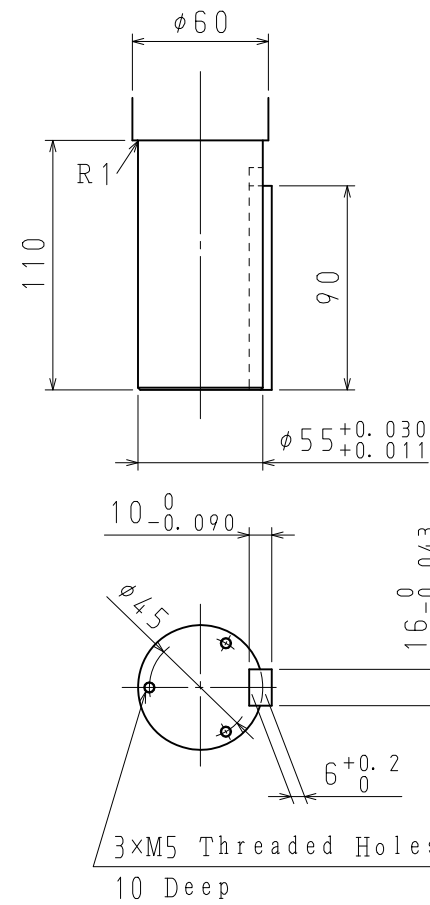


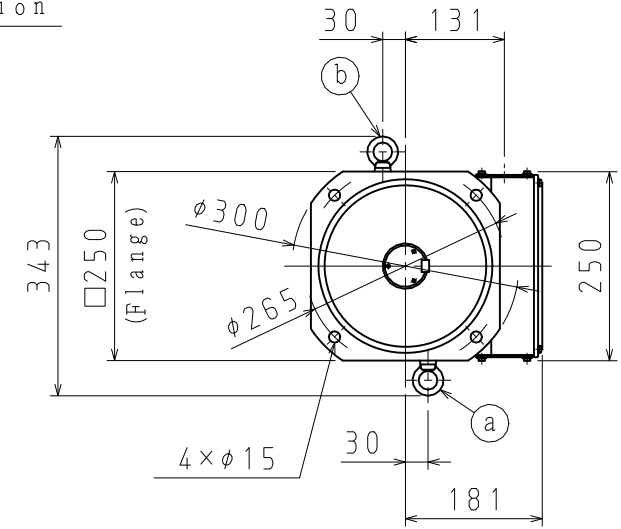
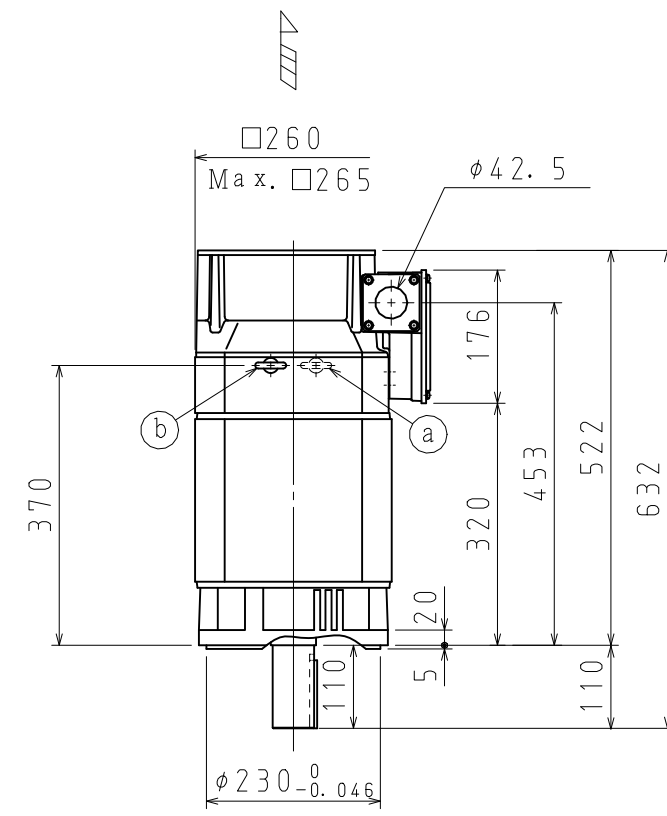
DWG. NO. 900-074-141

Customer	
Estimate No.	
Order No.	
Item No.	
Application	

All dimensions are in mm.



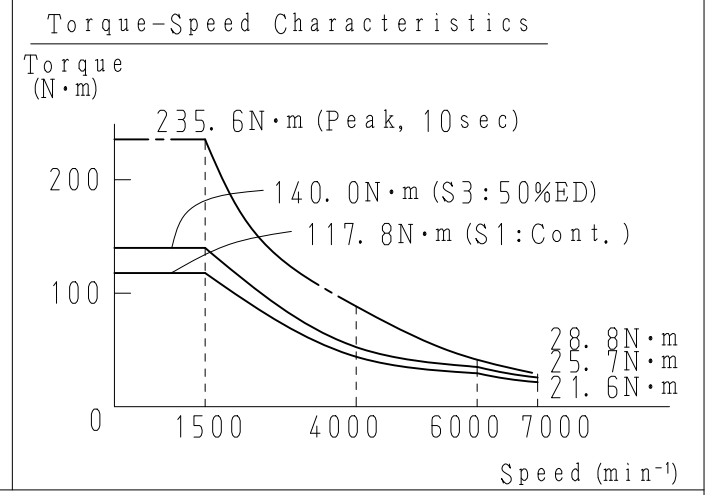
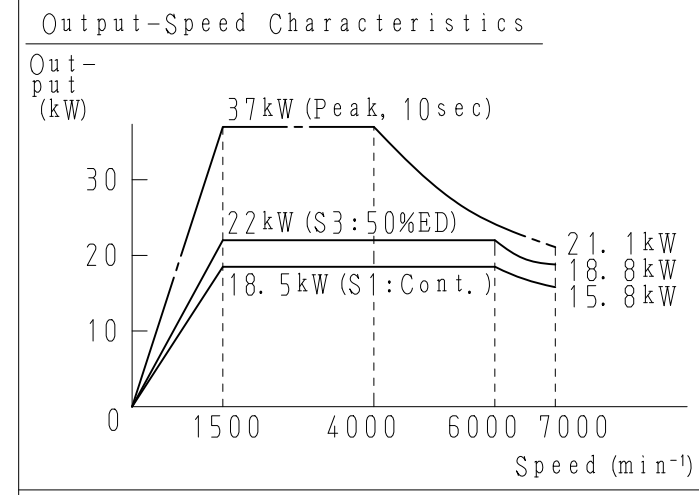
Detail of Shaft Extension



- NOTES.
1. Arrow (\swarrow) indicates the direction of cooling air.
 2. Without OIL SEAL.

Specification of Motor

Type	UAKAJ-22CZ100E	Cooling Method	Externally Fan-cooled Type	
Voltage	400 V	Fan	Voltage 400/400 V	
Output	S3:50%ED 22 kW	Frequency	50/60 Hz	
	S1:Cont. 18.5 kW	Input	90/120 W	
Poles	4 P	Current	0.15/0.17 A	
Speed	Base 1500 min ⁻¹	Thermal Class	F	
	Maximum 7000 min ⁻¹	Ambient Temperature	0~40℃	
	Minimum 40 min ⁻¹	Vibration	V5 or Below	
Inertia ($\frac{GD^2}{4}$)	0.089 kg·m ²	Noise	75dB (A) or Below	
Over Load Capacity	Refer to the graph at the bottom.	Approx. Mass	120kg	
Allowable Radial Load	3530N at the shaft end	Painting	Munsell Notation N1.5	
Protective Enclosure	IP44	Inverter Type	Σ-V-SD, CACR-JU051D2A	
Vibration Resistance	24.5m/sec ² or Below	Output	22/18.5 kW	
Characteristics Tolerances (T. I. R)	Maximum Face Runout	0.04	Series	Standard
	Maximum Permissible Eccentricity of Mounting Rabbet	0.046	Encoder Type	UTMSI-10AAGAZA
	Shaft Runout at the End	0.022	Dimensions of terminal box	900-111-514



Remarks

•Peak power is the reference characteristic to calculate acceleration time, not guaranteed characteristic.

<p>株式会社 安川電機</p>	<p>SCALE 1 : 10</p>	<p>DRAW. T. Inoue</p> <p>CHECK H. Shimono</p> <p>APPR. A. Sato</p>	<p>TITLE Dimensions of AC Spindle motor</p>	<p>DATE Dec. 09, '09</p>	<p>REV. 3</p>
		<p>DWG. NO. 900-074-141</p>			<p>SIZE A3</p>