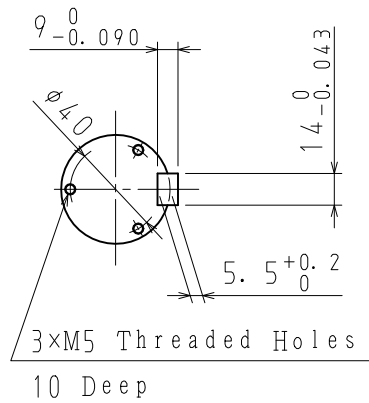
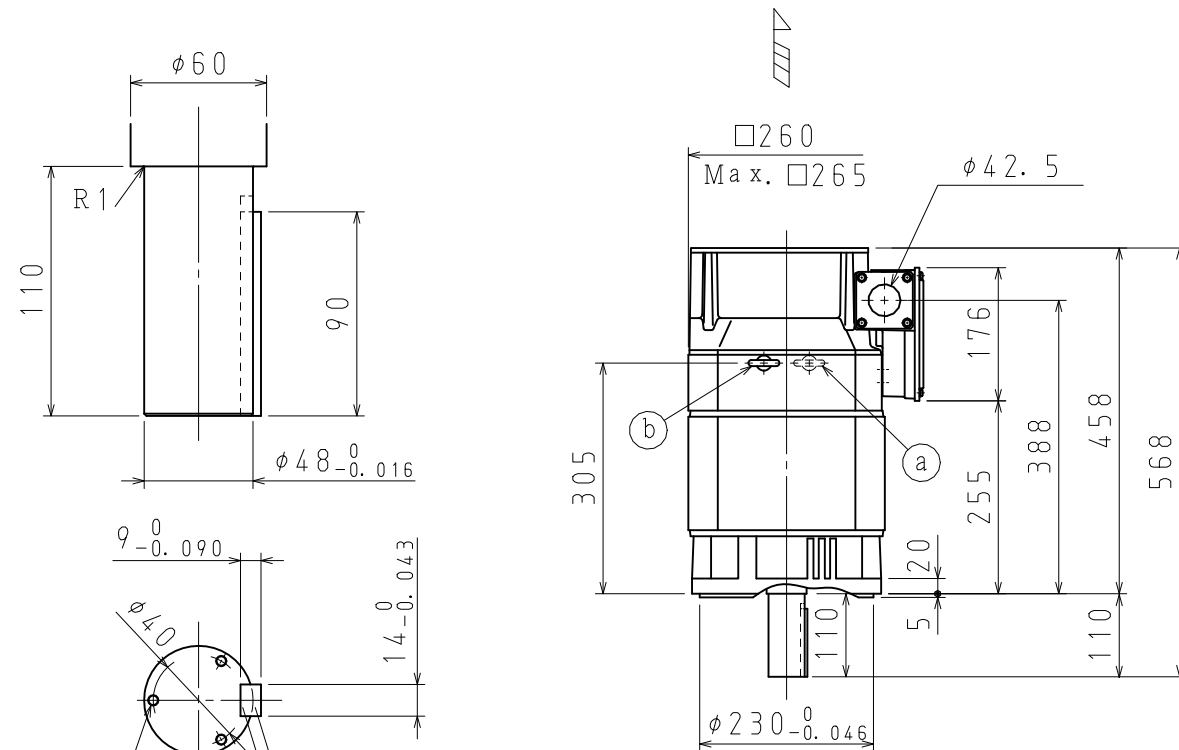
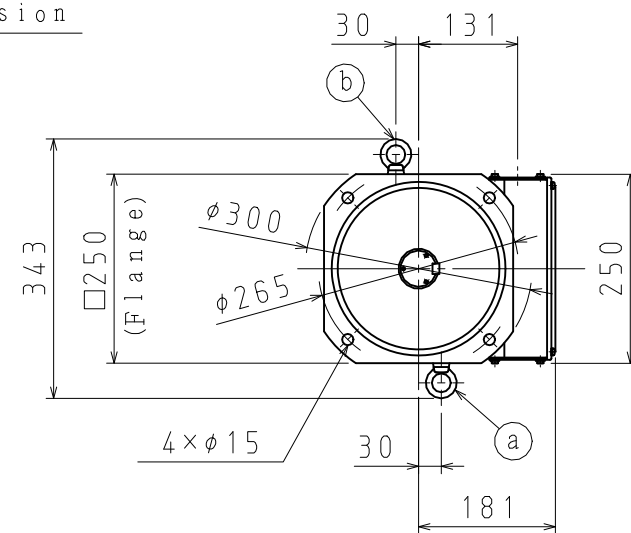


DWG. NO. 900-081-459

All dimensions are in mm.



Detail of Shaft Extension



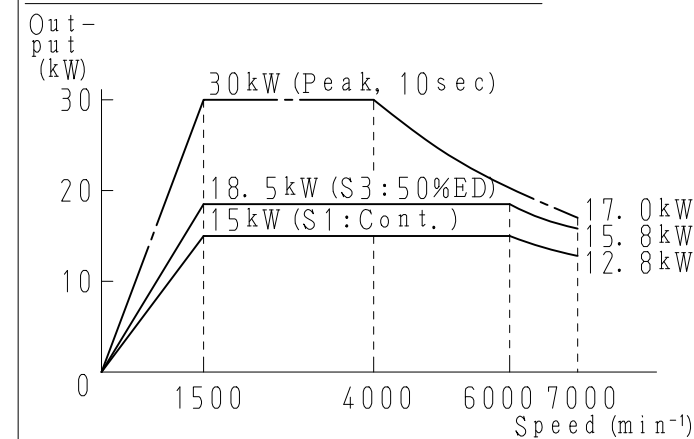
NOTES.

- Arrow () indicates the direction of cooling air.
- Without OIL SEAL.

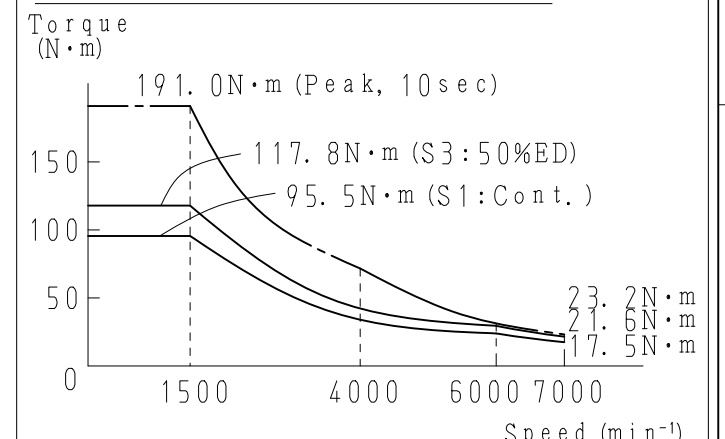
Specification of Motor

Type	UAKAJ-19CZ1		Cooling Method	Externally Fan-cooled Type	
Voltage	200 V		Fan	Voltage	200/200 V
Output	S3:50%ED	18.5 kW	Frequency	50/60 Hz	
	S1:Cont.	15 kW		Input	90/120 W
Poles	4 P		Current	0.26/0.34 A	
Speed	Base	1500 min <sup>-1</sup>	Thermal Class	F	
	Maximum	7000 min <sup>-1</sup>	Ambient Temperature	0~40°C	
	Minimum	40 min <sup>-1</sup>	Vibration	V5 or Below	
Inertia ( $\frac{GD^2}{4}$ )	0.069 kg·m <sup>2</sup>		Noise	75dB (A) or Below	
Over Load Capacity	Refer to the graph at the bottom.		Approx. Mass	94kg	
Allowable Radial Load	2940N at the shaft end		Painting	Munsell Notation N1.5	
Protective Enclosure	IP44		Inverter Type	Σ-V-SD, CACR-JU084A2A	
Vibration Resistance	24.5m/sec <sup>2</sup> or Below		Output	18.5/15 kW	
Characteristics Tolerances (T. I. R)	Maximum Face Runout	0.04	Series	Standard	
	Maximum Permissible Eccentricity of Mounting Rabbet	0.046	Encoder Type	UTMSI-10AAGAZA	
	Shaft Runout at the End	0.022	Dimensions of terminal box	900-111-514	

Output-Speed Characteristics



Torque-Speed Characteristics



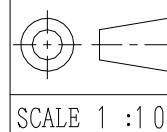
Remarks

•Peak power is the reference characteristic to calculate acceleration time, not guaranteed characteristic.

Customer	
Estimate No.	
Order No.	
Item No.	
Application	



株式会社 安川電機



DRAW. H. Shimono  
CHECK  
APPR. K. Maekawa

TITLE Dimensions of AC Spindle motor

DATE May. 17, '10

DWG. NO.

**900-081-459**

REV.

3

SIZE A3