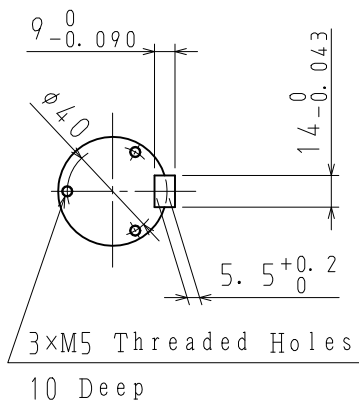
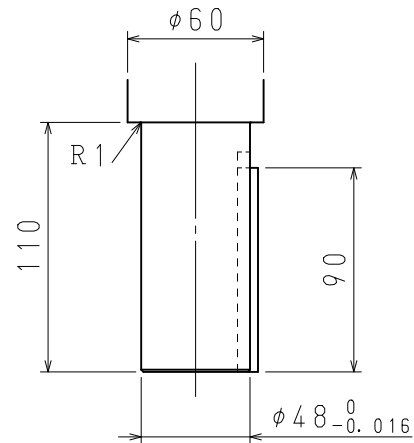
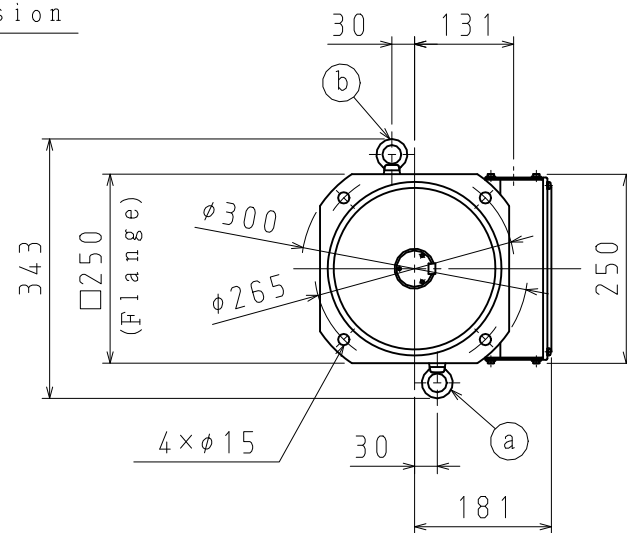
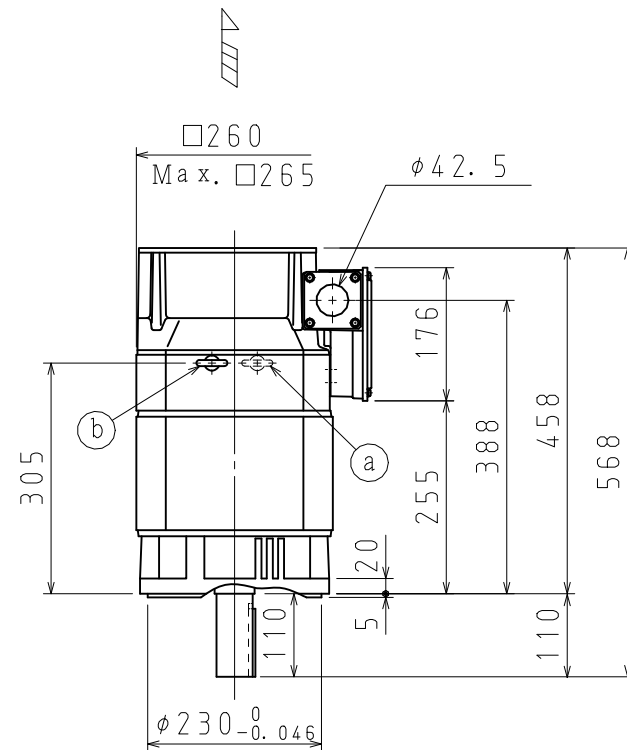


DWG. NO. 900-074-139

All dimensions are in mm.



Detail of Shaft Extension



NOTES.

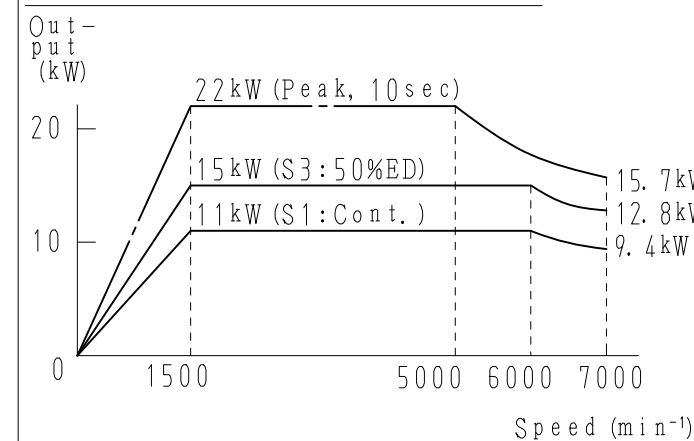
- Arrow () indicates the direction of cooling air.
- Without OIL SEAL.

Customer	
Estimate No.	
Order No.	
Item No.	
Application	

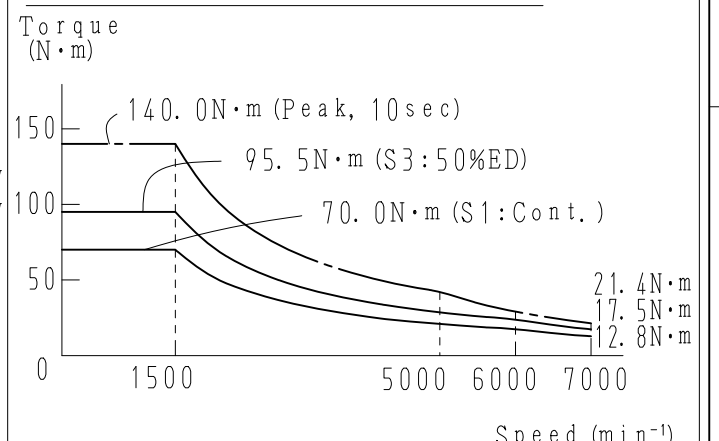
Specification of Motor

Type	UAKAJ-15CZ100E		Cooling Method	Externally Fan-cooled Type
Voltage	400 V		Fan	Voltage 400/400 V
Output	S3:50%ED	15 kW	Frequency	50/60 Hz
	S1:Cont.	11 kW	Input	90/120 W
Poles	4 P		Current	0.15/0.17 A
Speed	Base	1500 min ⁻¹	Thermal Class	F
	Maximum	7000 min ⁻¹	Ambient Temperature	0~40°C
	Minimum	40 min ⁻¹	Vibration	V5 or Below
Inertia ($\frac{GD^2}{4}$)	0.069 kg·m ²		Noise	75dB (A) or Below
Over Load Capacity	Refer to the graph at the bottom.		Approx. Mass	94kg
Allowable Radial Load	2940N at the shaft end		Painting	Munsell Notation N1.5
Protective Enclosure	IP44		Inverter	Type Σ -V-SD, CACR-JU033D2A
Vibration Resistance	24.5m/sec ² or Below			Output
Characteristics Tolerances (T. I. R)	Maximum Face Runout	0.04	Series	Standard
	Maximum Permissible Eccentricity of Mounting Rabbet	0.046	Encoder Type	UTMSI-10AAGAZA
	Shaft Runout at the End	0.022	Dimensions of terminal box	900-111-514

Output-Speed Characteristics



Torque-Speed Characteristics



Remarks

•Peak power is the reference characteristic to calculate acceleration time, not guaranteed characteristic.

 株式会社 安川電機	 SCALE 1:10	DRAW. T. Inoue CHECK H. Shimono APPR. A. Sato	TITLE Dimensions of AC Spindle motor	DATE Dec. 09, '09	REV. 1
		DWG. NO. 900-074-139			SIZE A3