

DWG.NO. 900-011-335

Encoder Terminal Connection

No.	Description	Color
1	PG 5 V	Red
2	PG 0 V (GND)	Black
3	Phase A+	Blue
4	Phase A-	Blue/ White
5	Phase B+	Yellow
6	Phase B-	Yellow/ White
7	Phase /Z	Purple
8	Phase U	Gray
9	Phase V	Green
10	Phase W	Orange
11	-	-
12	Frame Ground	Shield Wire

Motor Terminal Connection

No.	Description	Color
1	Phase U	Red
2	Phase V	White
3	Phase W	Blue
4	Frame Ground	Green/ Yellow
5	Brake	Red
6	Brake	Black

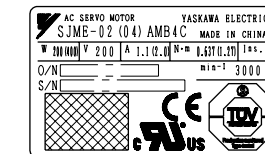
Encoder cable: 6DIA. Black  
 UL20276, AWG22 (Red, Black)  
 AWG26 (Except for Red, Black)

Plug : 5559-12P-210 (Molex)  
 Terminal : 5558T2 (chained) or 5558T2L (detached)  
 Connected to  
 Receptacle: 5557-12R-210  
 Terminal : 5556T2 (chained) or 5556T2L (detached)

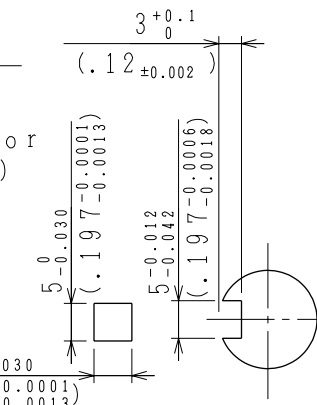
Plug : 5559-06P-210 (Molex)  
 Terminal : 5558T (chained) or [No.1 to 3, 5, 6] 5558TL (detached)  
 Grounding Pin: 30490-2002 (chained) or [No.4] 30490-2012 (detached)  
 Connected to  
 Receptacle: 5557-06R-210  
 Terminal : 5556T (chained) or 5556TL (detached)

Motor leads  
 UL1828, AWG20  
 Protective tube: 7DIA. Black

Notes.5  
 Screw for Frame ground (.197-0.0001)

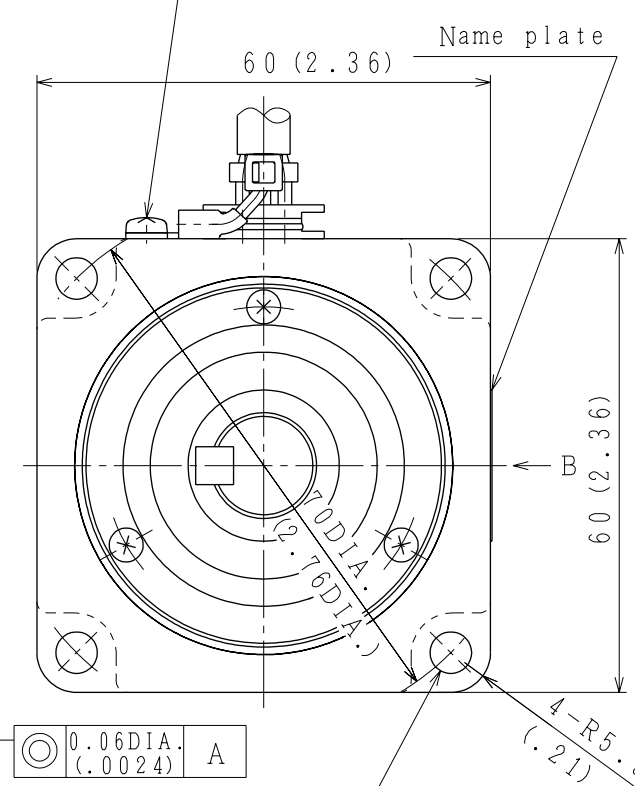
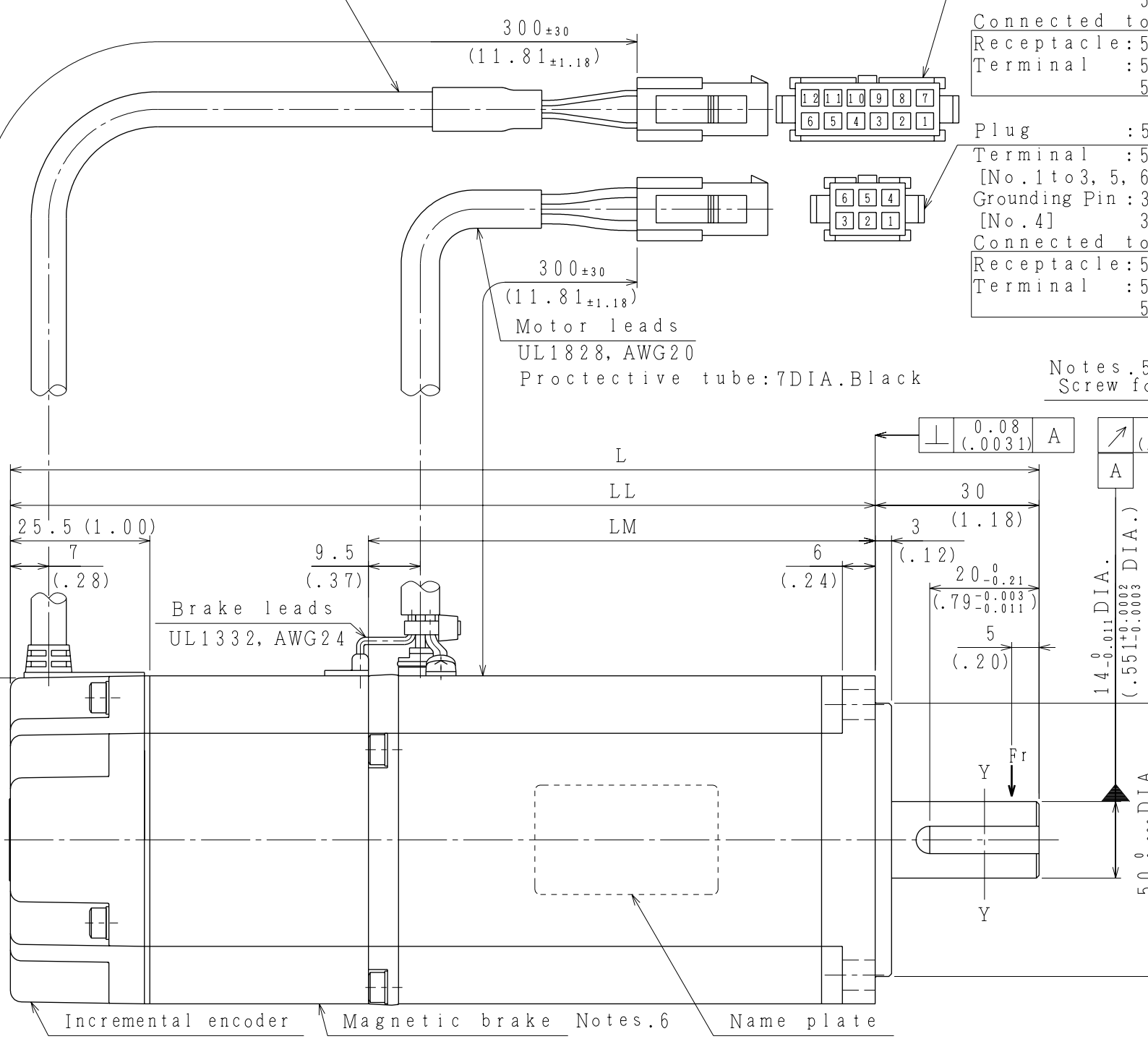
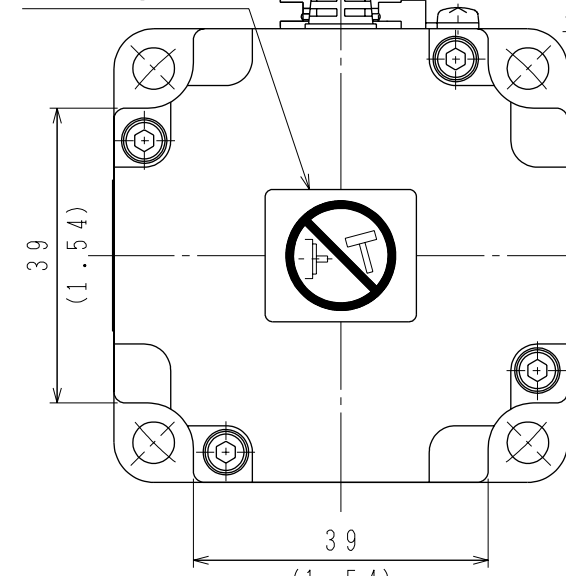


Name plate View B



Key Keyway View Y-Y

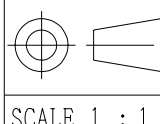
Name plate



Incremental encoder  
 Magnetic brake Notes.6  
 Name plate  
 Non-excitation operation type  
 Power supply 24VDC  
 Holding brake torque ≥ Motor rated torque

- Notes)
- Motor specifications : DP0491511 (200W)
  - Encoder specifications: DP0494062
  - Dimensions of the keyway are conformed to JIS (Japanese Industrial Standard) No.B1301 "Sunk keys and their corresponding keyways (close keys)".
  - Degrees of protection: IP55 (except for connectors and drive end side)
  - Do not remove the screw connecting motor frame and frame ground lead.
  - Magnetic brake must be used for only position holding.
  - All dimensions are in millimeters (inches).

ITEM No.	Type	L	LL	LM	Rated Output (W)	Rated Torque (N·m (lb·in))	Time Rating	Rated Rotation Speed (min <sup>-1</sup> )	Weight (kg (lb))	Allowable Radial Load Fr (N (lb))	Allowable Thrust Load (N (lb))
1	SJME-02AMB4C	165.5 (6.52)	135.5 (5.33)	70 (2.76)	200	0.637 (5.64)	Continuous	3000	1.5 (3.3)	245 (55.1)	74 (16.6)
2	SJME-04AMB4C	188.5 (7.42)	158.5 (6.24)	93 (3.66)	400	1.27 (11.2)					



DRAW. T. Watanabe  
 CHECK N. Yoshizawa  
 APPR. K. Aoki

TITLE AC SERVO MOTOR JUNMA SERIES  
 (200, 400W)

DATE MAR.22.'07  
 DWG.NO.

900-011-335

REV.

SIZE A3