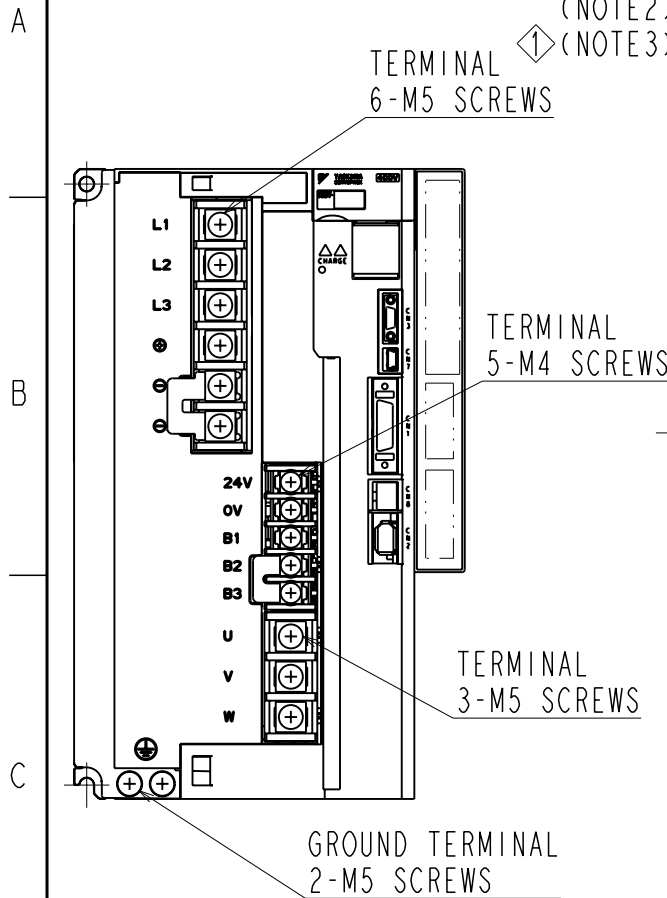
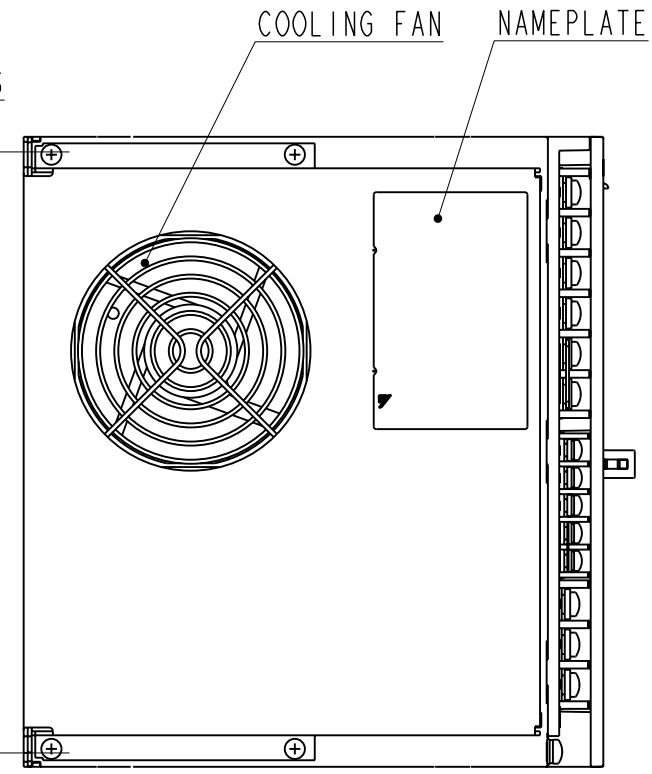


DWG. NO. 900-048-859-2/2

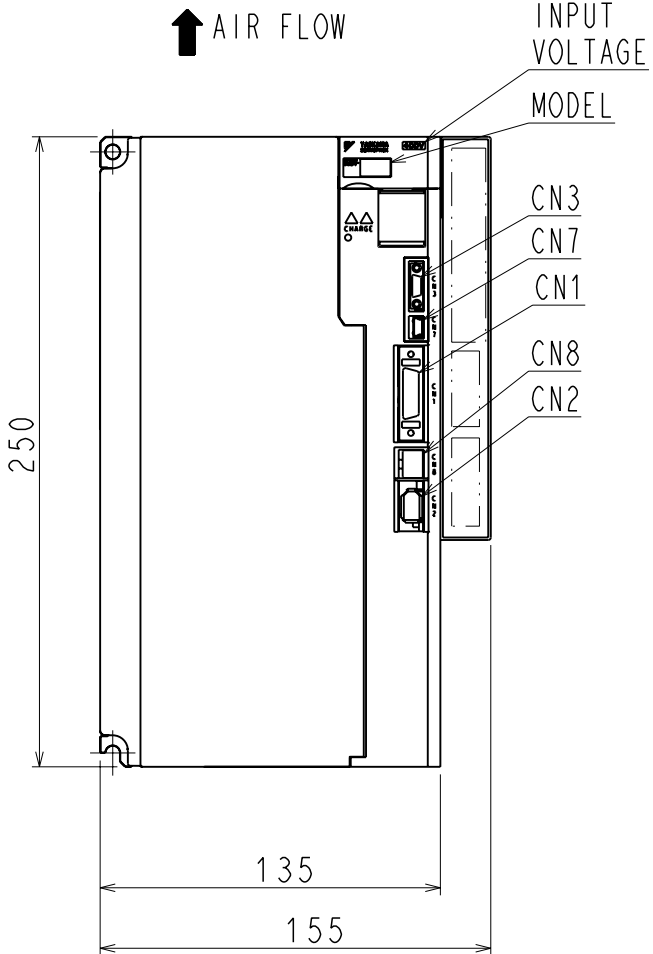
(NOTE1) This drawing is the base-mounted type.
 (NOTE2) Refer to the USER'S MANUAL for standard for installation.
 (NOTE3) Refer to the another drawing for the outline of the option unit.



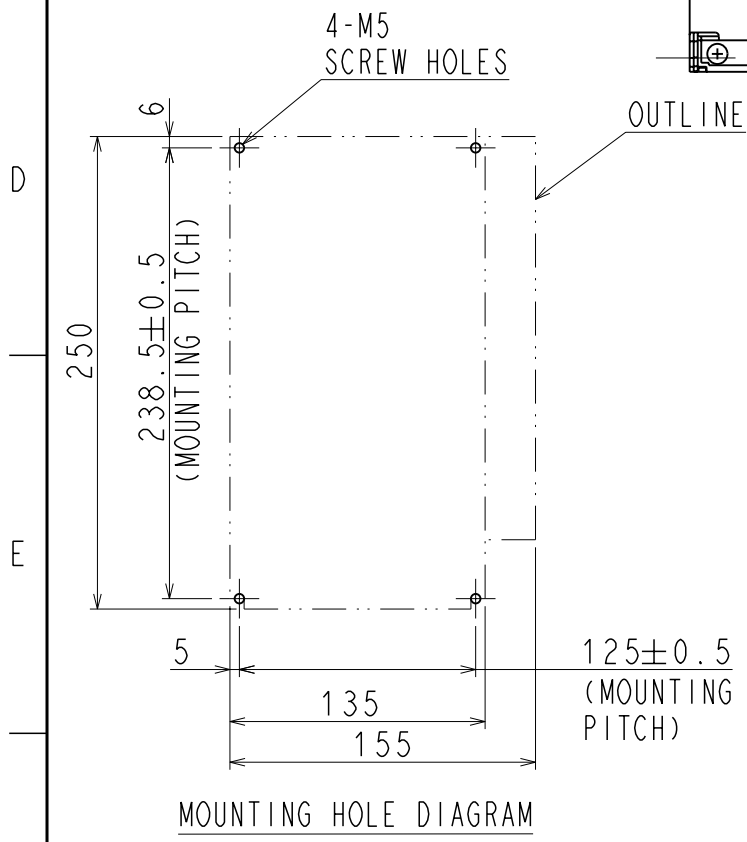
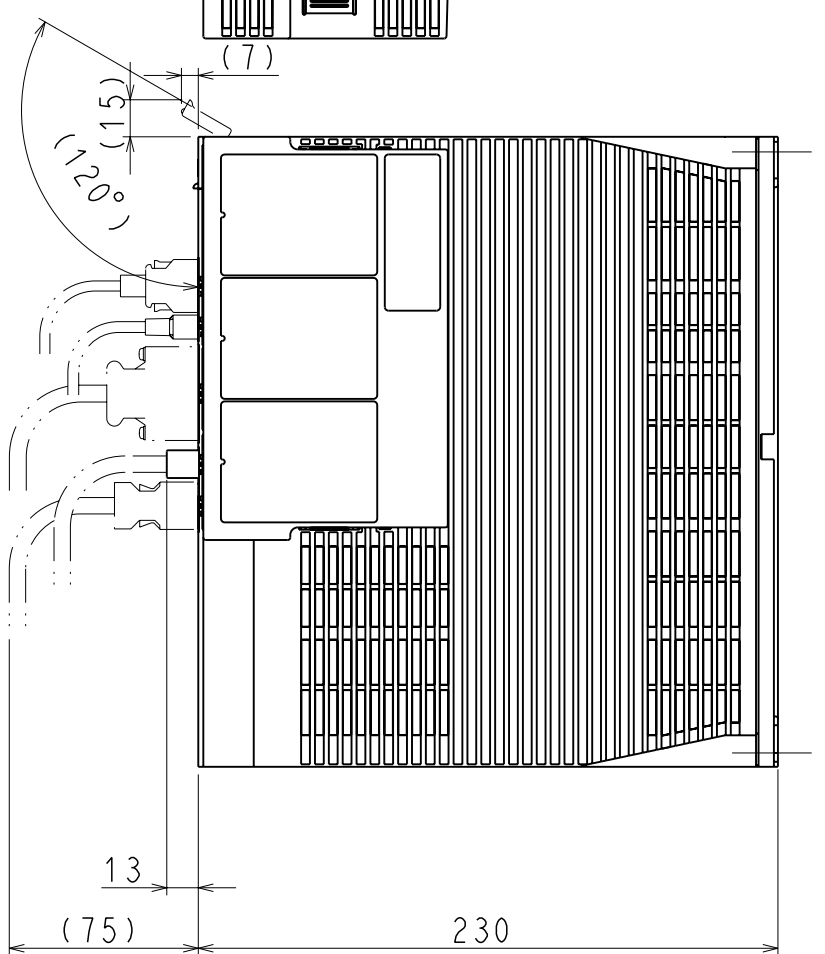
TERMINAL DETAIL



AIR FLOW



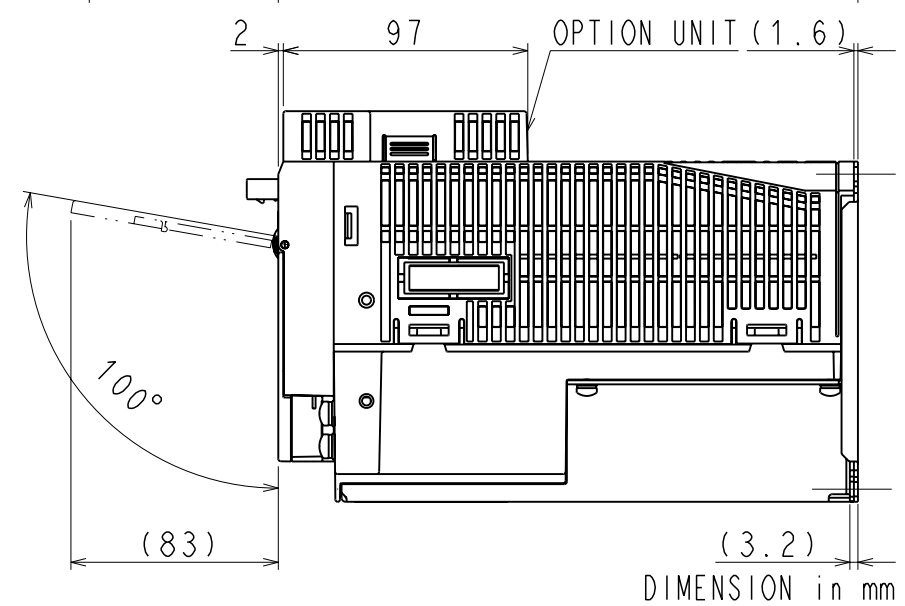
AIR FLOW



MOUNTING HOLE DIAGRAM

PART No.	MODEL	NUMBER OF CONTACTS	MANUFACTURER
CN1	10226-52A2PL	26	SUMITOMO 3M LIMITED
CN2	53984-0671	6	MOLEX JAPAN CO.,LTD.
CN3	HDR-EC14LFDTN-SLE-PLUS	14	HONDA TSUSHIN KOGYO CO.,LTD.
CN7	MNC23-5K5H00	5	ADVANCED-CONNECTEK INC.
CN8	1981080-1	8	Tyco Electronics AMP K.K.

The above or the equivalent is used.
 APPROX. MASS: 5.7kg
 Remove mass of the option unit.



DIMENSION in mm

REFERENCE ONLY

YASKAWA
 株式会社 安川電機

 SCALE 1 : 3

TITLE OUTLINE DRAWING OF SERVOPACK
 SGD170D□□A*
 (□□:E1,E5)(* : OPTION CODE)

DWG. NO. **900-048-859**
 REV. 2/2

SIZE A3