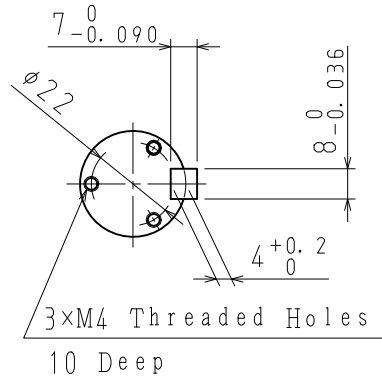
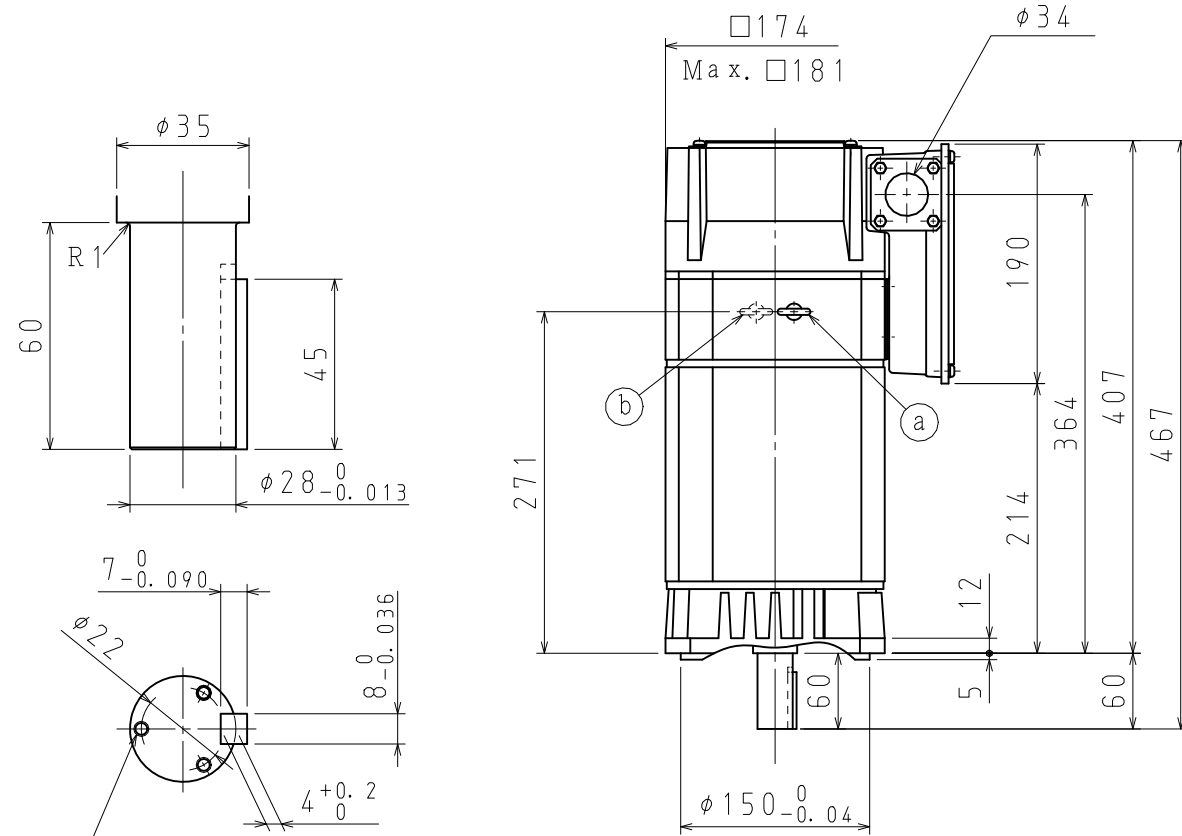
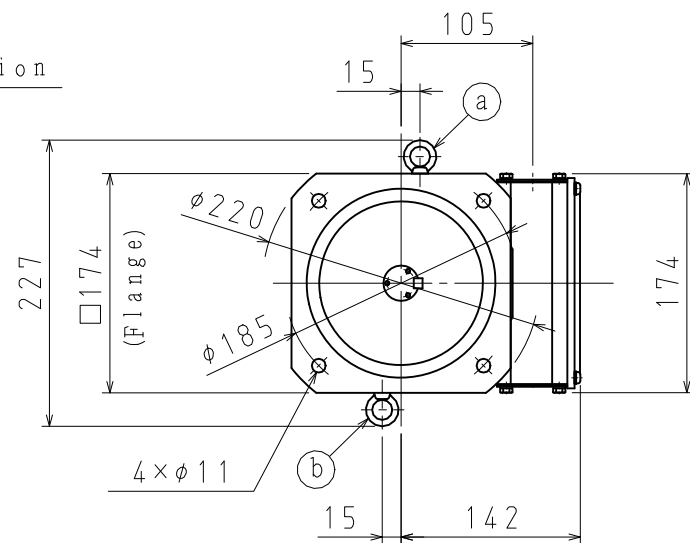


DWG. NO. 900-074-864

All dimensions are in mm.



Detail of Shaft Extension



NOTES.

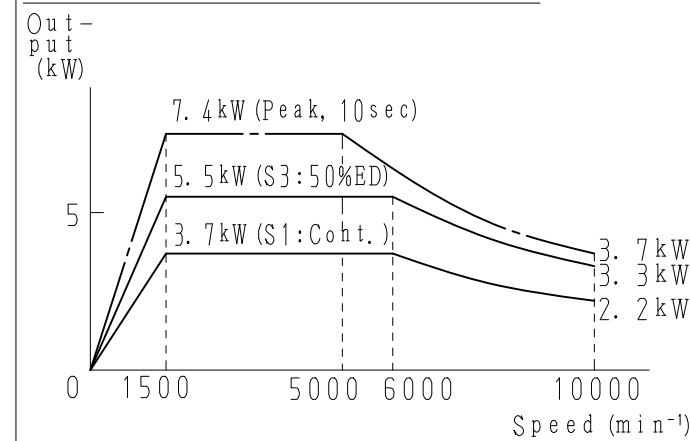
1. Arrow (\swarrow) indicates the direction of cooling air.
2. Without OIL SEAL.

Customer	
Estimate No.	
Order No.	
Item No.	
Application	

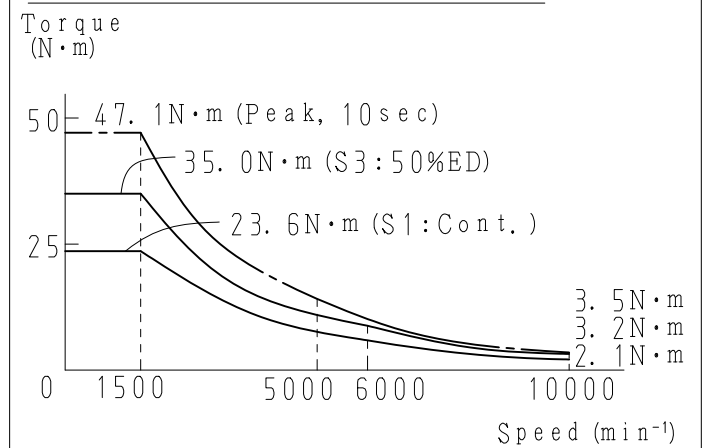
Specification of Motor

Type	UAKAJ-06CZ100E	Cooling Method	Externally Fan-cooled Type	
Voltage	400 V	Fan	Voltage 400/400 V	
Output	S3:50%ED 5.5 kW	Frequency	50/60 Hz	
	S1:Cont. 3.7 kW	Input	57/66 W	
Poles	4 P	Current	0.045/0.050 A	
Speed	Base 1500 min ⁻¹	Thermal Class	F	
	Maximum 10000 min ⁻¹	Ambient Temperature	0~40℃	
	Minimum 40 min ⁻¹	Vibration	V5 or Below	
Inertia ($\frac{GD^2}{4}$)	0.014 kg·m ²	Noise	75dB (A) or Below	
Over Load Capacity	Refer to the graph at the bottom.	Approx. Mass	47kg	
		Painting	Munsell Notation N1.5	
Allowable Radial Load	1180N at the shaft end	Inverter Type	Σ -V-SD, CACR-JU014D2A	
Protective Enclosure	IP44	Output	5.5/3.7 kW	
Vibration Resistance	24.5m/sec ² or Below	Series	Standard	
Characteristics Tolerances (T. I. R)	Maximum Face Runout	0.04	Encoder Type	UTMSI-10AAGAZA
	Maximum Permissible Eccentricity of Mounting Rabbet	0.04	Dimensions of terminal box	900-111-513
	Shaft Runout at the End	0.02		

Output-Speed Characteristics



Torque-Speed Characteristics



Remarks

•Peak power is the reference characteristic to calculate acceleration time, not guaranteed characteristic.

F

Feb. 14, '12
K. Matsuzaki/M. Matsunaga

YASKAWA
株式会社 安川電機

SCALE 1:6

DRAW. T. Inoue
CHECK H. Shimono
APPR. A. Sato

TITLE Dimensions of AC Spindle motor

DATE Dec. 24, '09

DWG. NO.

900-074-864

REV.

2