

DWG. NO. 900-131-216

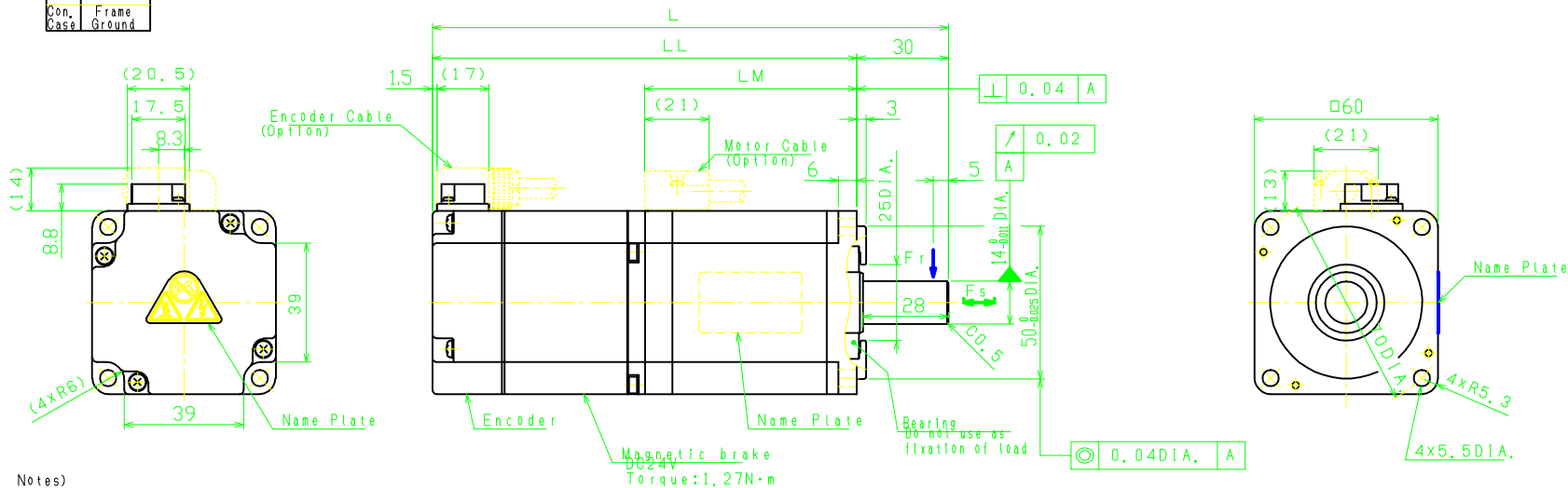
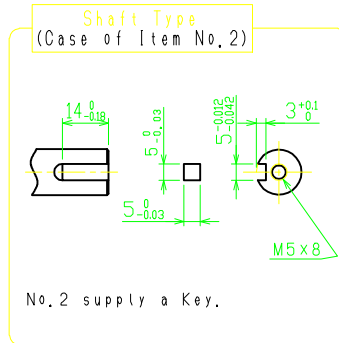
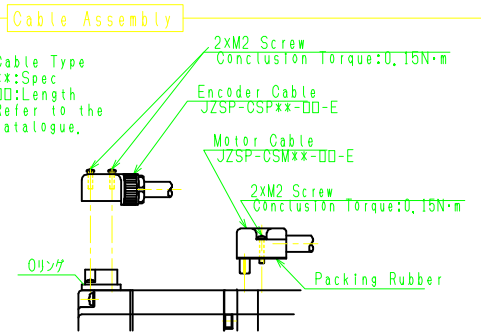
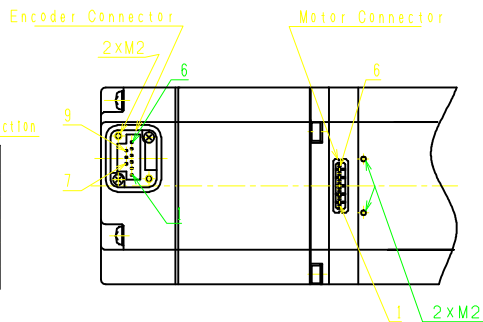


Encoder Terminal Connection

1	-
2	-
3	PG0V
4	PS
5	*PS
6	PG5V
7	-
8	0BAT
9	BAT
Con. Case	Frame Ground

Motor Terminal Connection

1	Frame Ground
2	Phase W
3	Phase V
4	Phase U
5	Brake
6	Brake



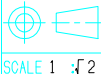
Notes)

- Motor Specifications :900-013-718
- Encoder Specifications:900-013-878 (20bit Absolute)
- Motor cable and encoder cable are not packed.
- Please check the document (SAFETY PRECAUTIONS) packed with product before using motor, Please pay attention to usage of motor.
- Magnetic brake must be used for only position holding.
- Degrees of Protection:IP65(Case of our standard cable attaching) Except for drive end side.
- At the time of delivery of motor, each of connectors are attached protective parts, Please remove them before cable attaching.
- Do not touch each of the connector pins directly, It cause failure.
- Please do not apply this motor to machine export to Japan.
- All dimensions are in millimeters.

Item No.	Type	Shaft Type	L (mm)	LL (mm)	LM (mm)	Weight (kg)	Voltage (Vrms)	Rated Output (W)	Rated Torque (N·m)	Rated Armature Current (Arms)	Rated Rotation Speed (min <sup>-1</sup> )	Thermal Class	Time Rating	Allowable Radial Load Fr(N)	Allowable Thrust Load Fs(N)
1	SGMJV-04A3M2C	Straight	168.5	138.5	69.5	1.9	200	400	1.27	2.7	3000	B	CONT.	245	74
2	SGMJV-04A3M6C	Key+Tap	168.5	138.5	69.5	1.9	200 (3 Phase)	400	1.27	2.7	3000	B	CONT.	245	74



株式会社 安川電機



DRAW. H. Abe  
CHECK T. Hirose  
APPR. K. Aoki

TITLE AC SERVOMOTOR Σ-V SERIES

SGMJV TYPE 400W

DATE May. 15, '13  
DWG. NO.

900-131-216

SIZE A3