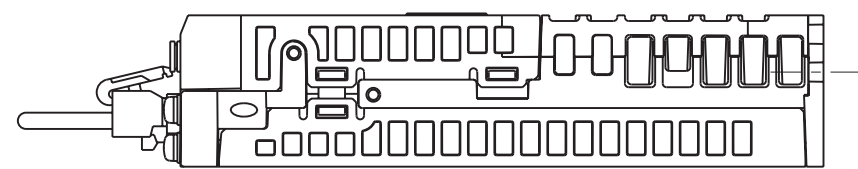
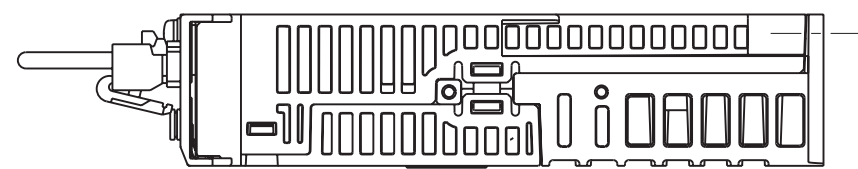
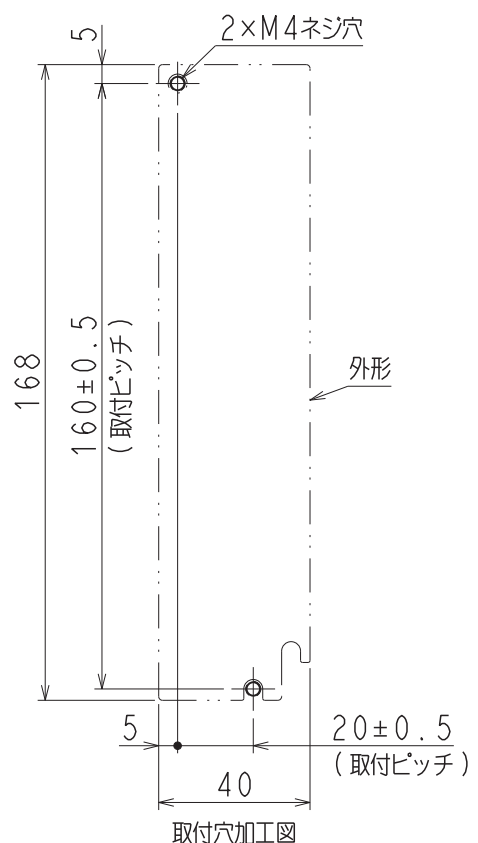
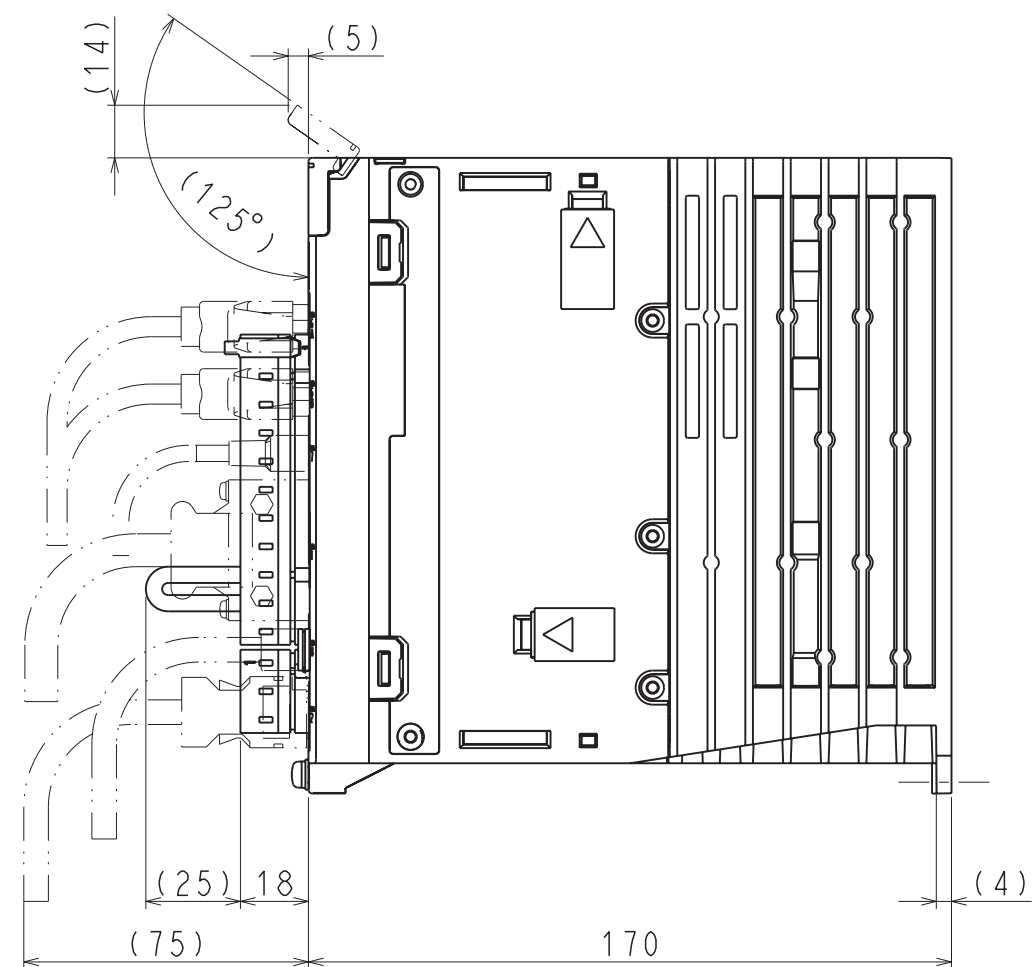
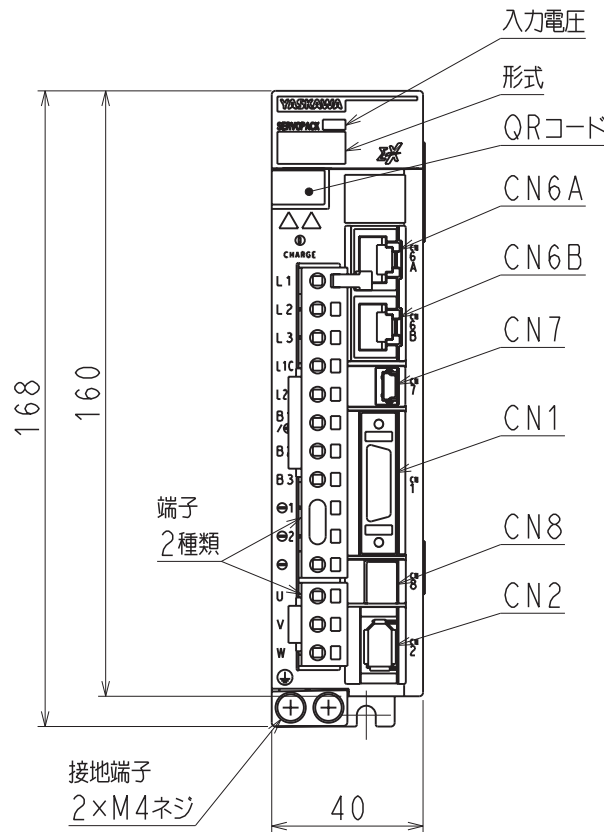
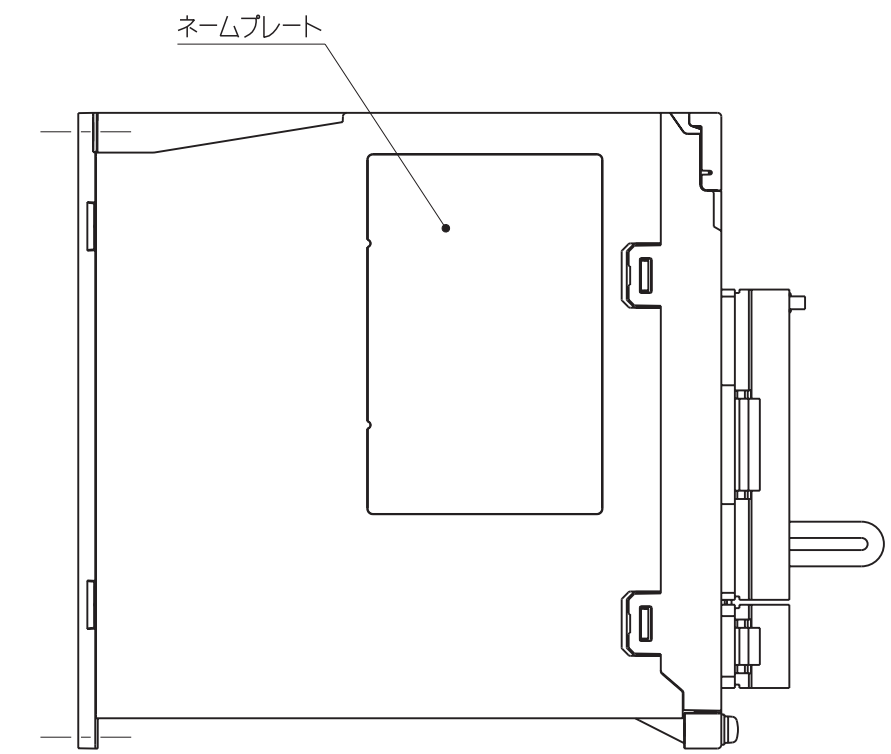


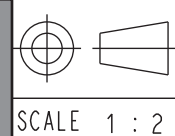
A
B
C
D
E
F



(注) 取付けはユーザーズマニュアルの取付け基準を参照ください。

概算質量：1.1kg

REFERENCE ONLY



YASKAWA

REFERENCE ONLY

TITLE
SERVOPACK 外形図
SGDXS-2R8A□□A*
(□□: 40、A0) (*: オプション仕様)

REV. 1/2
DWG. NO. 900-256-693

SIZE A3

1 2 3 4 5 6 7 8

DWG. NO. 900-256-693-2/2

A

B

C

D

E

F

A

B

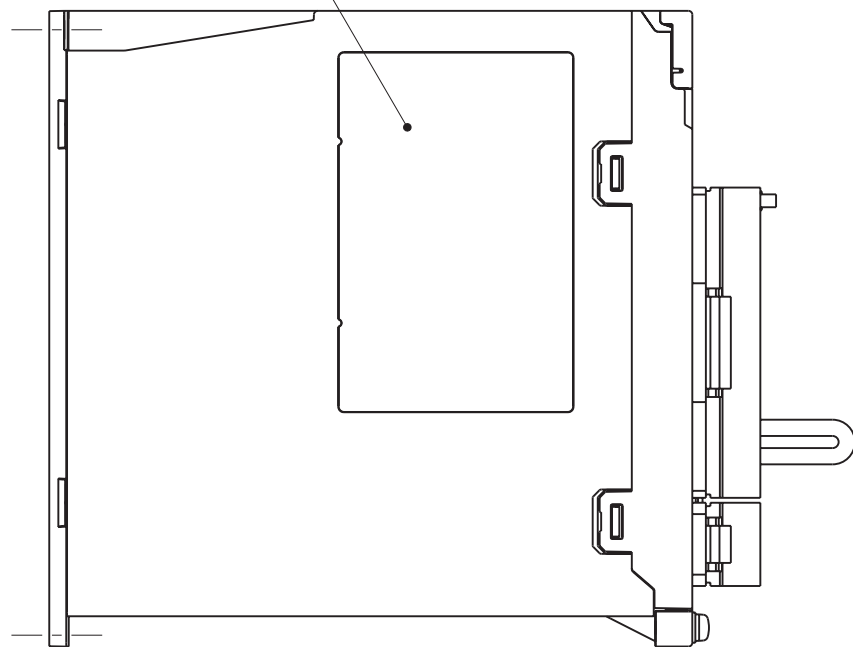
C

D

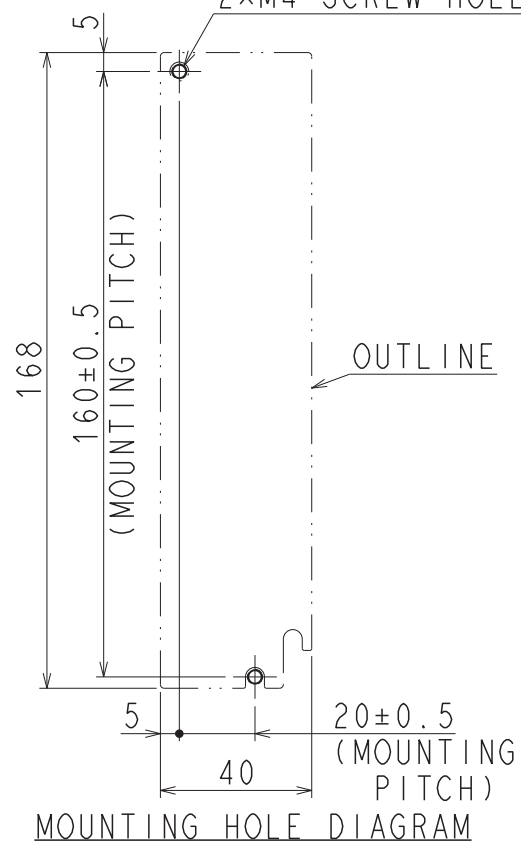
E

F

NAMEPLATE

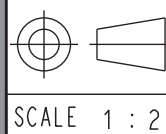


2xM4 SCREW HOLES



MOUNTING HOLE DIAGRAM

REFERENCE ONLY



YASKAWA

REFERENCE ONLY

TITLE OUTLINE DRAWING OF SERVOPACK

SGDXS-2R8A□□A*
(□□: 40, A0) (*: OPTION CODE)

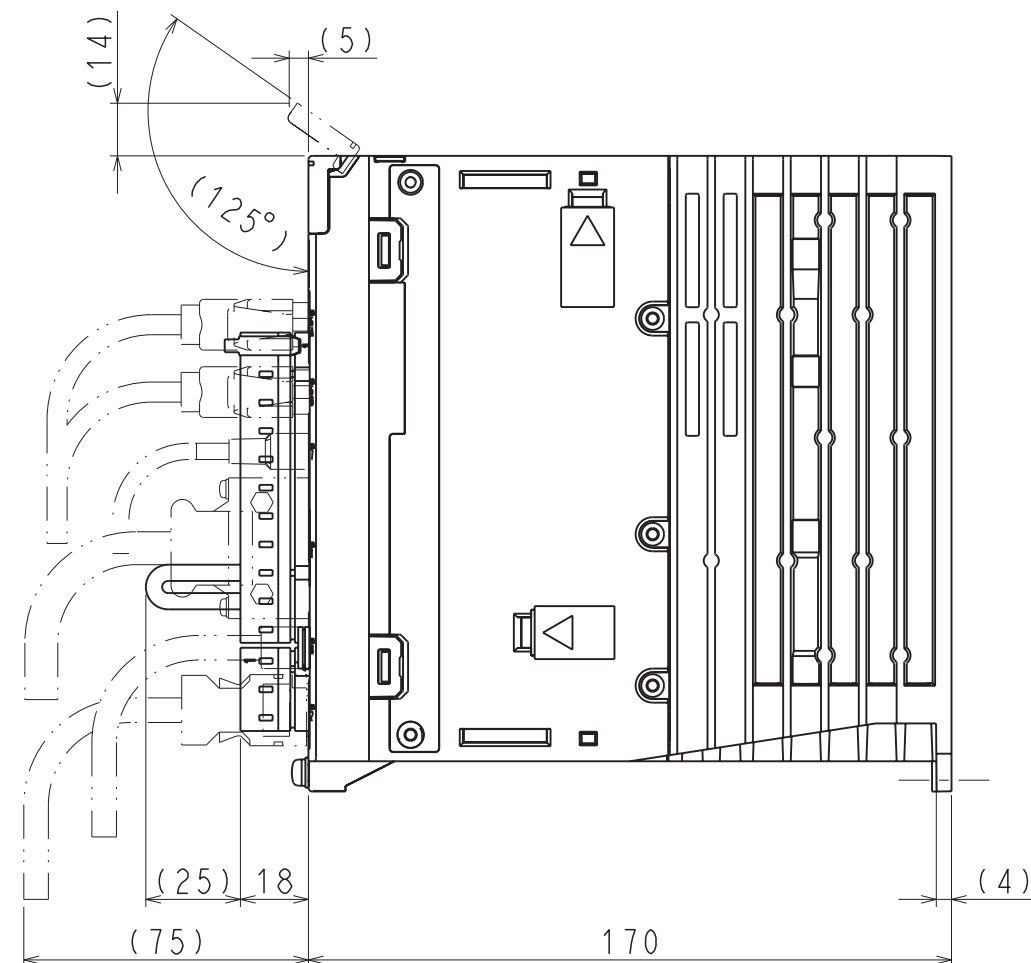
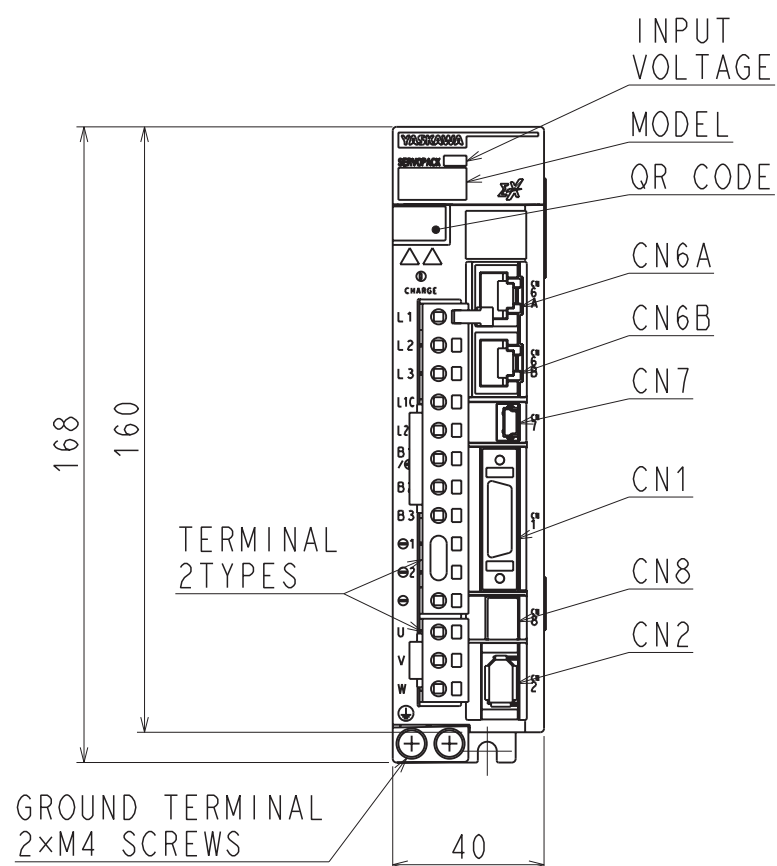
DWG. NO.

900-256-693

REV.

2/2

SIZE A3



(NOTE) Refer to the USER'S MANUAL for a standard for installation.

APPROX. MASS: 1.1kg
DIMENSION IN mm

1

2

3

4

5

6

7

8