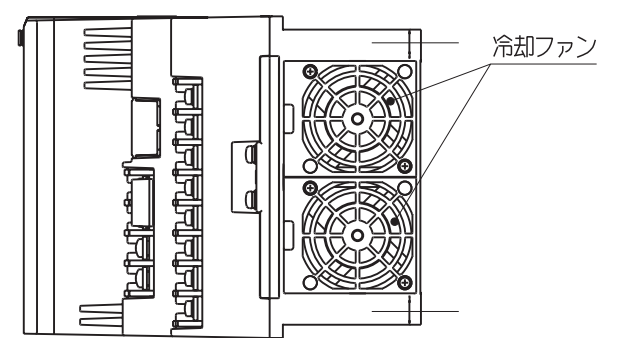
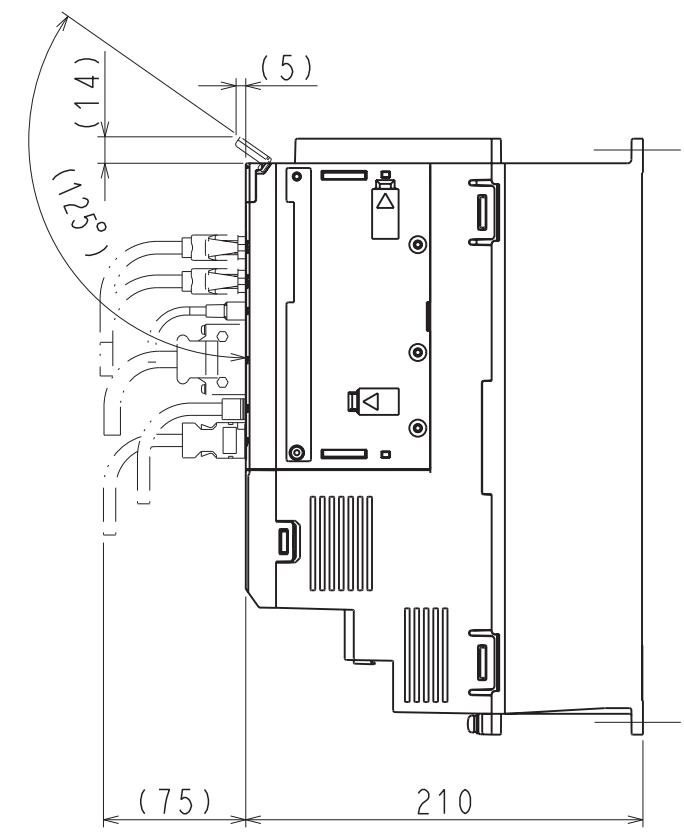
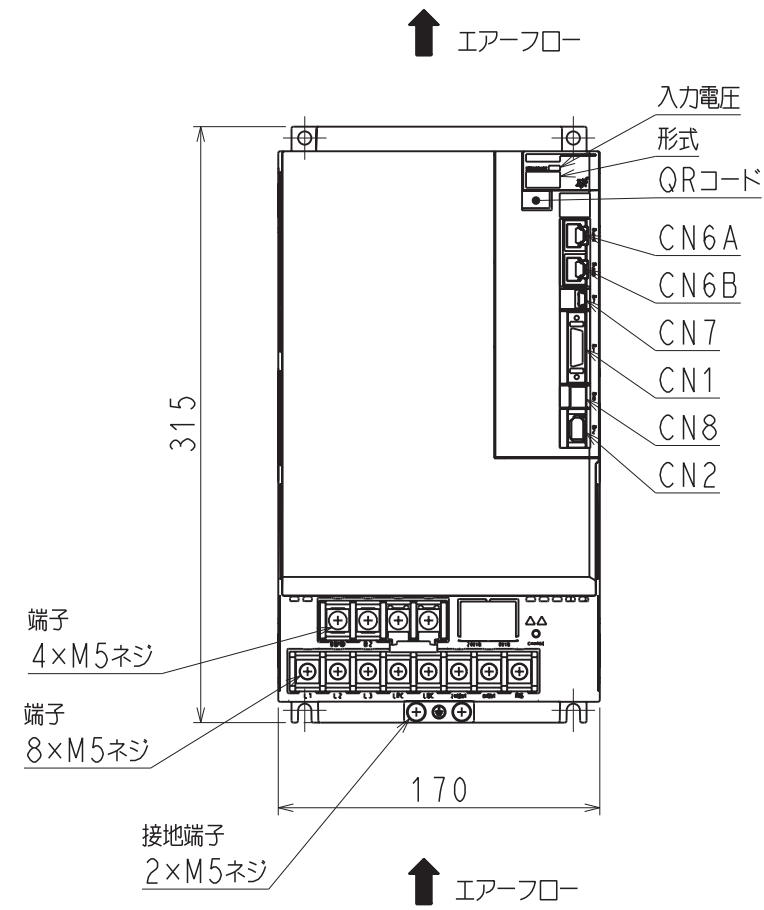
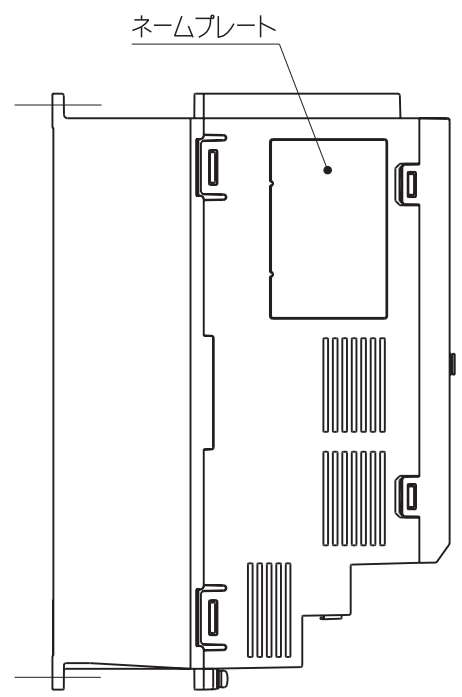
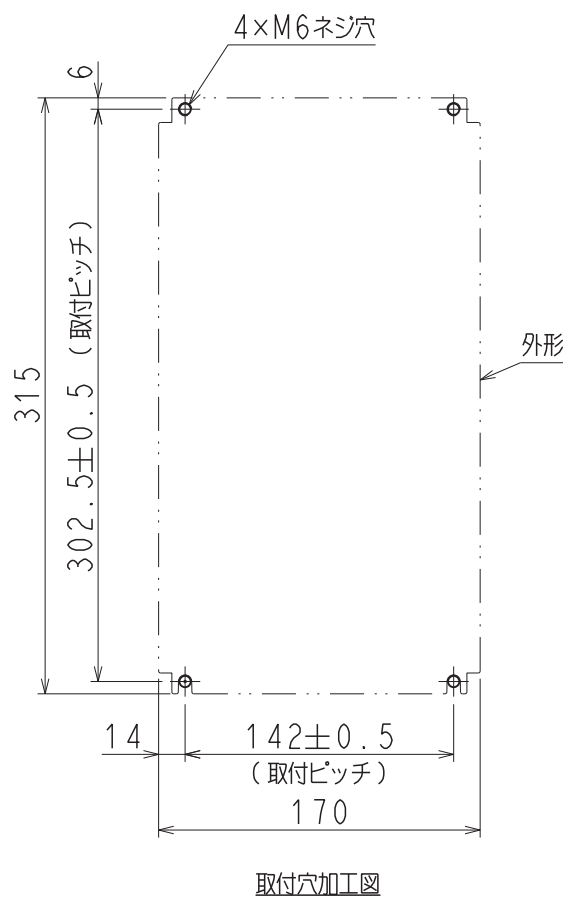


A
B
C
D
E
F



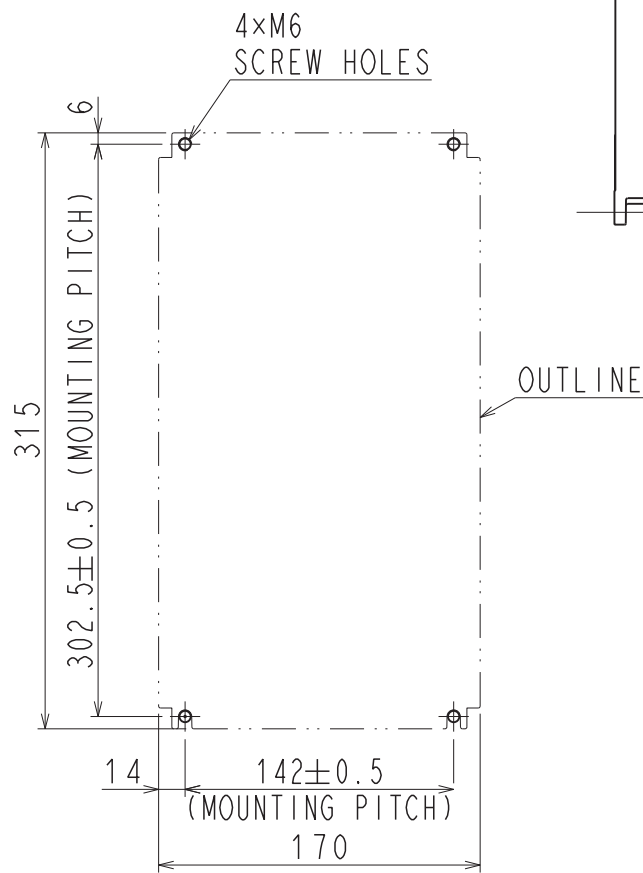
(注) 取付けはユーザーズマニュアルの取付け基準を参照ください。

概算質量：9.0kg

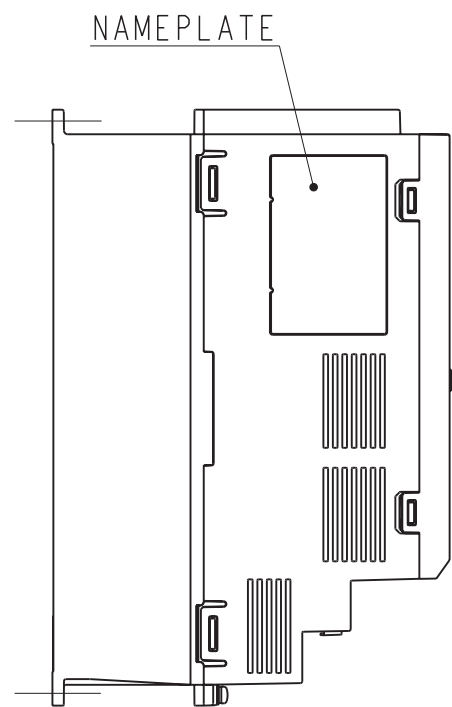
REFERENCE ONLY	SCALE 1 : 4	YASKAWA	REFERENCE ONLY	TITLE	SERVOPACK 外形図	REV.	1
				DWG. NO.	900-257-483	2	1

DWG. NO. 900-257-483-2/2

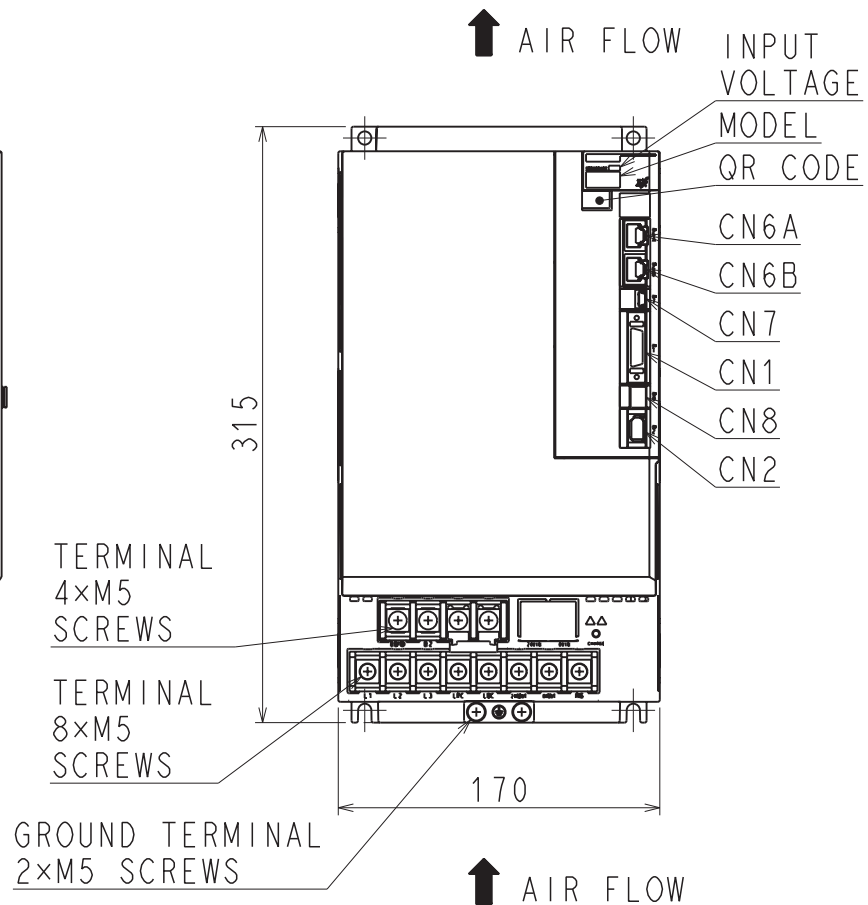
A
B
C
D
E
F



MOUNTING HOLE DIAGRAM

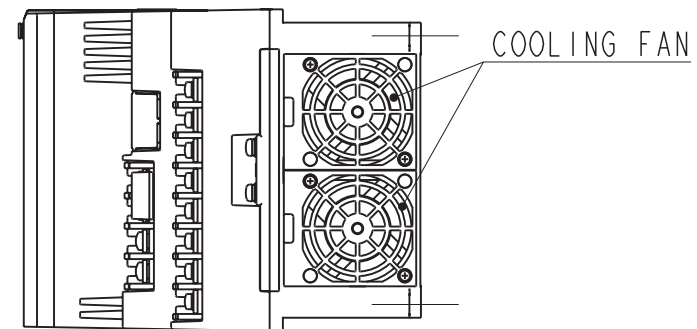
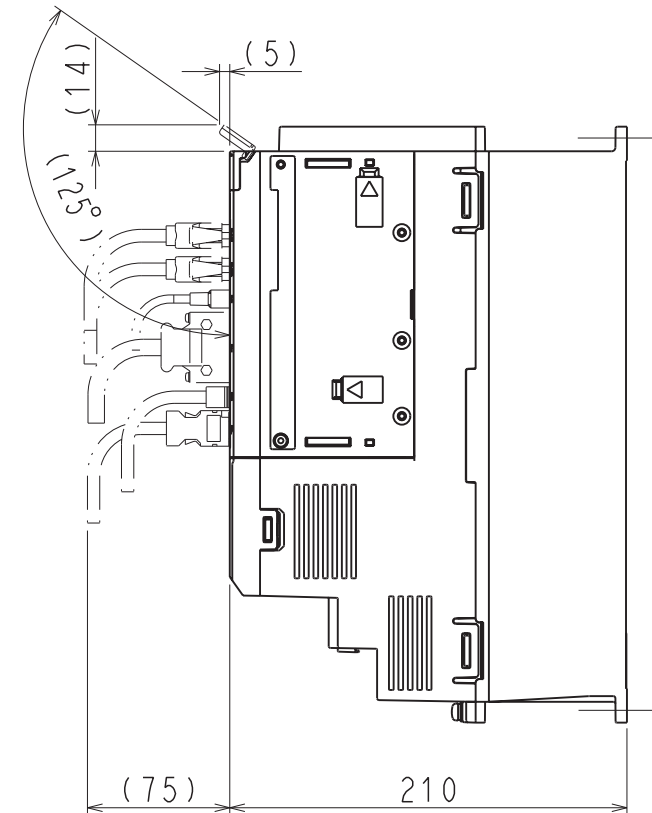


NAMEPLATE



↑ AIR FLOW

↑ AIR FLOW



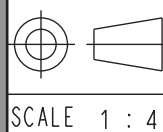
COOLING FAN

(NOTE) Refer to the USER'S MANUAL for a standard for installation.

APPROX. MASS: 9.0kg
DIMENSION IN mm

SIZE A3

REFERENCE ONLY



YASKAWA

REFERENCE ONLY

TITLE OUTLINE DRAWING OF SERVOPACK
SGDXS-470/550A□□A*
(□□: 40, A0) (*: OPTION CODE)

REV. 2/2
DWG. NO. 900-257-483

1 2 3 4 5 6 7 8