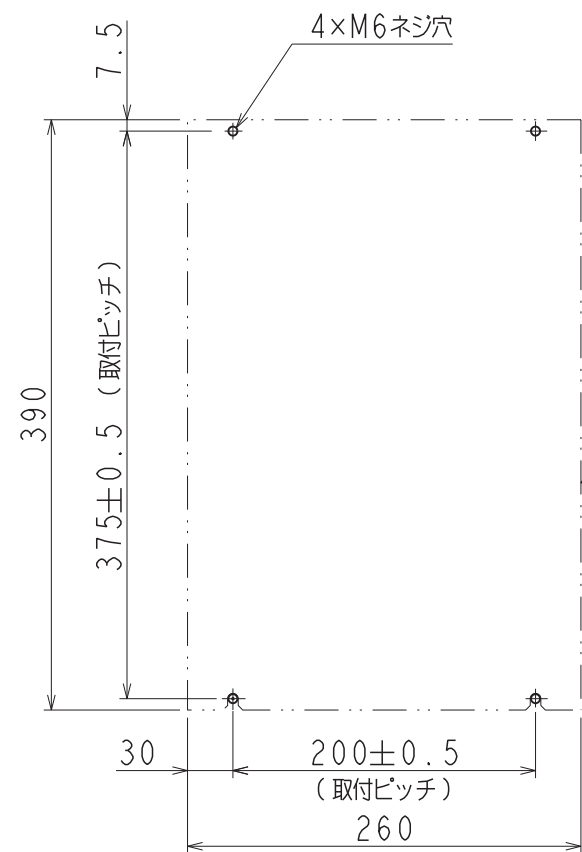
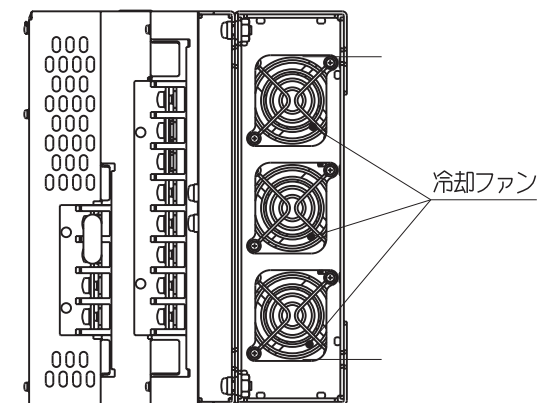
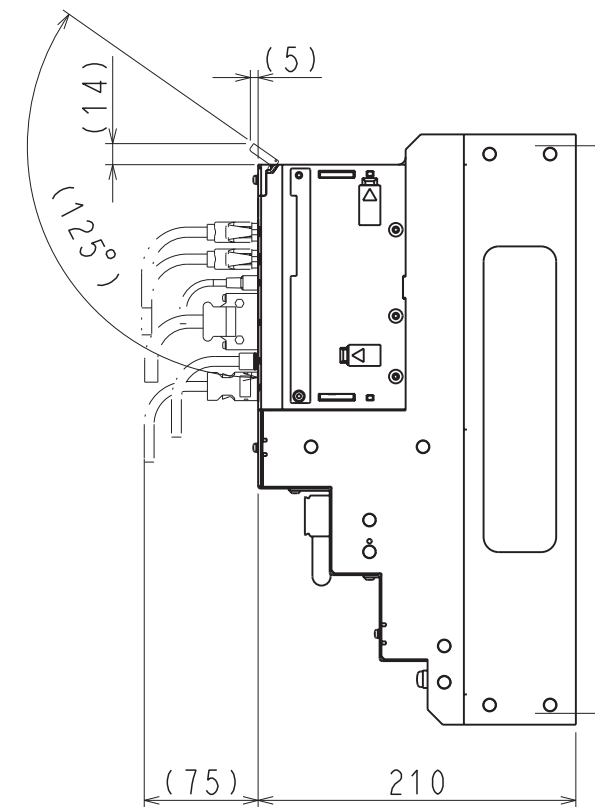
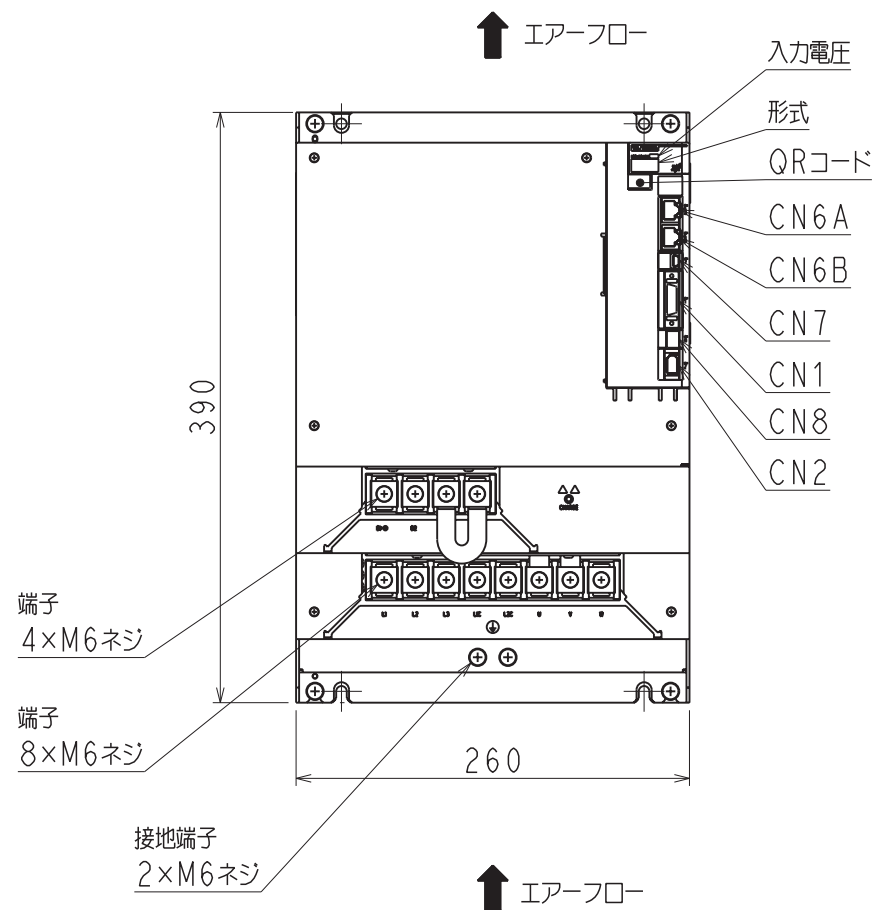
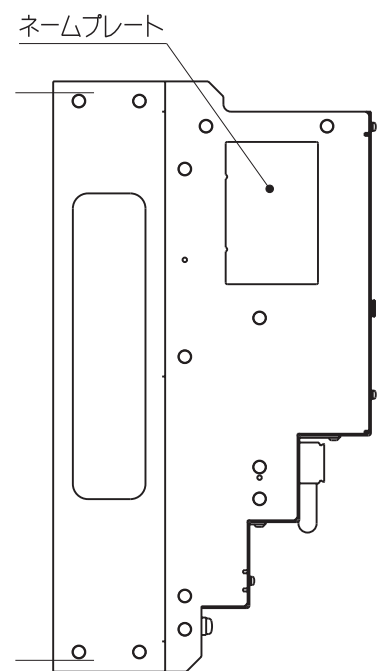


A
B
C
D
E
F

A
B
C
D
E
F



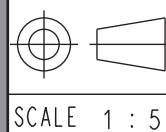
取付穴加工図



(注) 取付けはユーザーズマニュアルの取付け基準を参照ください。

概算質量: 16kg

REFERENCE ONLY



YASKAWA

REFERENCE ONLY

TITLE
SERVOPACK 外形図
SGDXS-590/780A□□A*
(□□: 40、A0) (*: オプション仕様)

DWG. NO.
900-257-485

REV.
1
2

SIZE A3

1

2

3

4

5

6

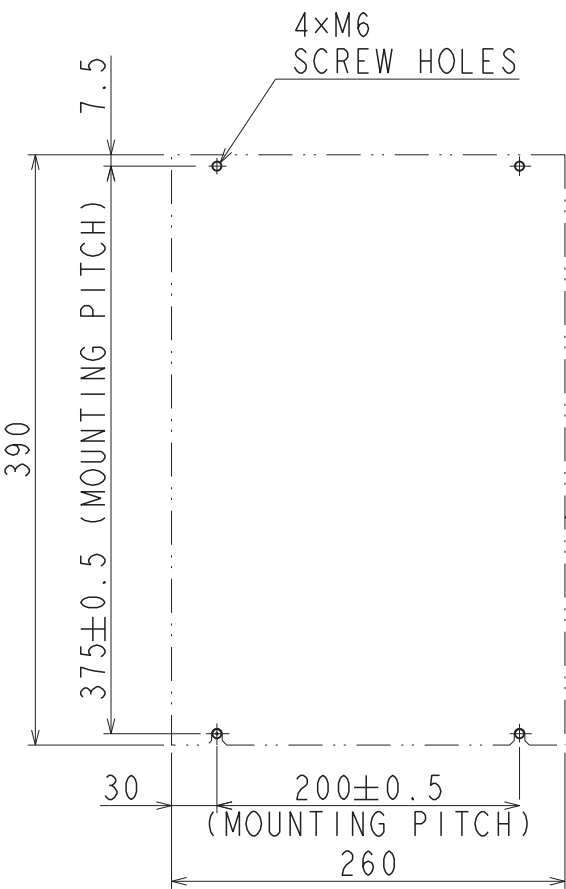
7

8

DWG. NO. 900-257-485-2/2

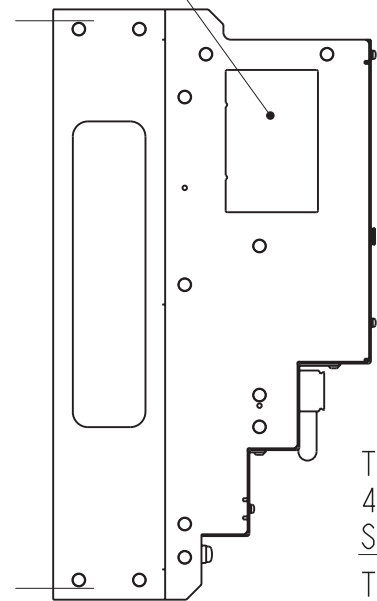
A
B
C
D
E
F

A
B
C
D
E
F



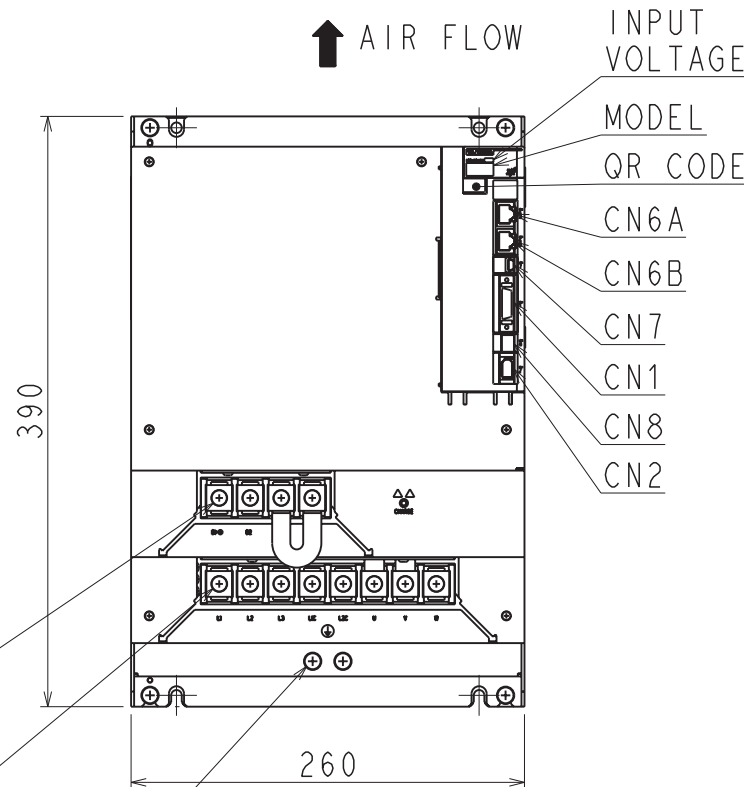
MOUNTING HOLE DIAGRAM

NAMEPLATE

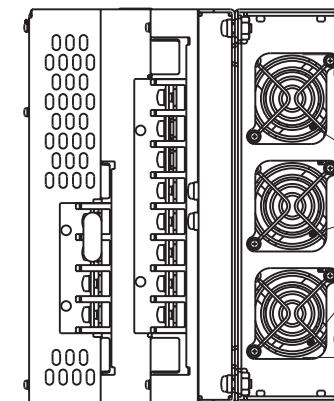
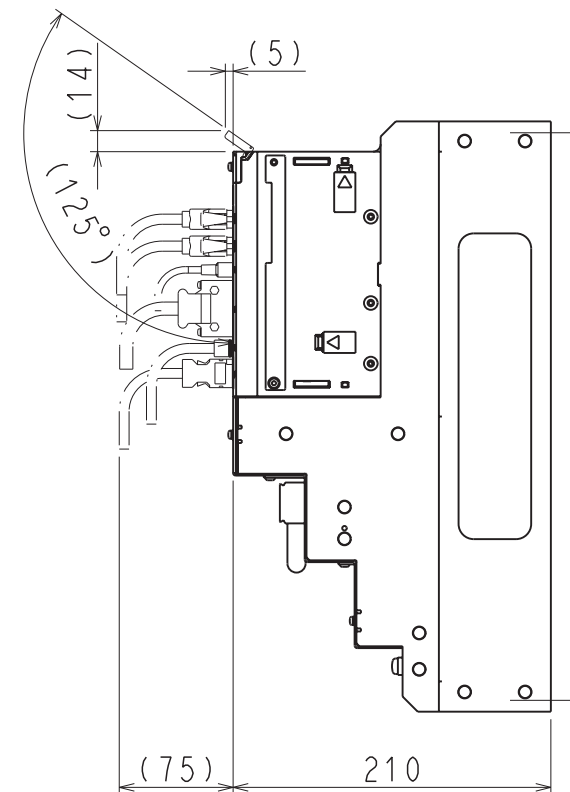
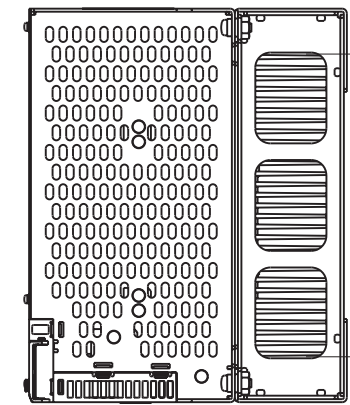


TERMINAL
4xM6
SCREWS
TERMINAL
8xM6
SCREWS

GROUND TERMINAL
2xM6 SCREWS



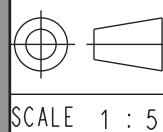
AIR FLOW



COOLING FAN

(NOTE) Refer to the USER'S MANUAL for a standard for installation.
APPROX. MASS: 16kg
DIMENSION IN mm

REFERENCE ONLY



YASKAWA

REFERENCE ONLY

TITLE OUTLINE DRAWING OF SERVOPACK
SGDXS-590/780A□□A*
(□□: 40, A0) (*: OPTION CODE)

DWG. NO. 900-257-485

REV. 2/2

SIZE A3

1

2

3

4

5

6

7

8