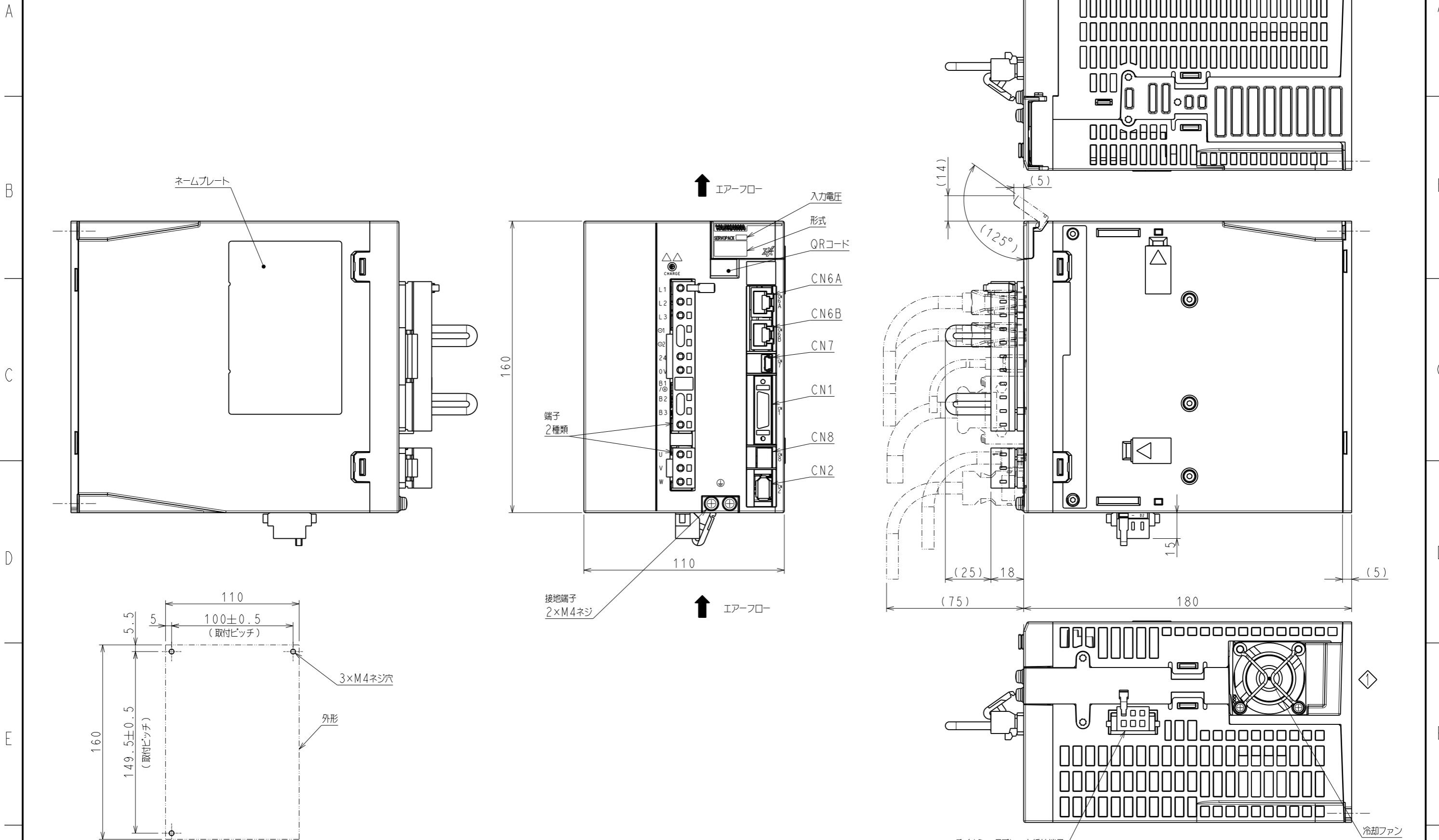



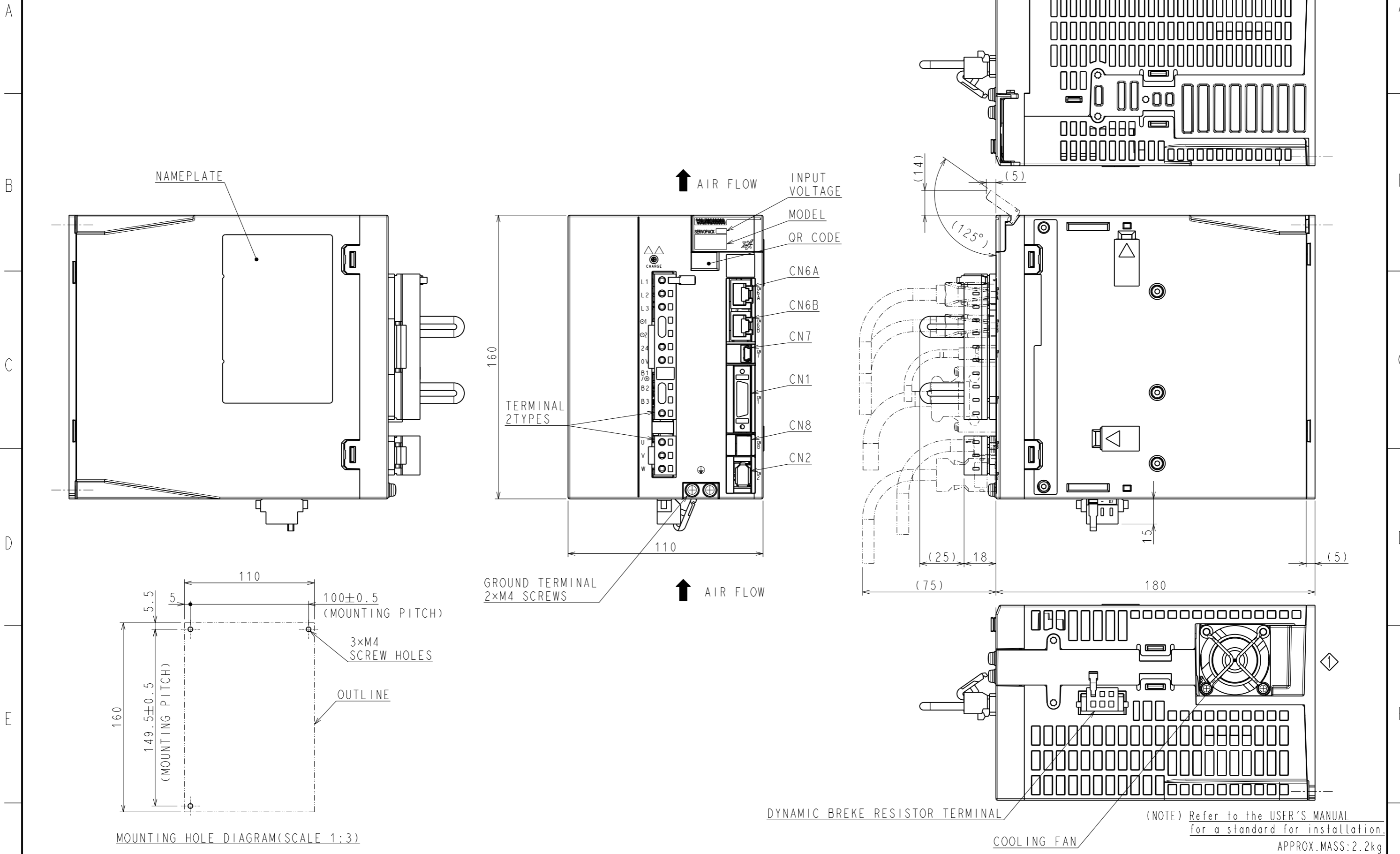
DWG. NO. 900-304-613-1/2



(注) 取付けはユーザーズマニュアルの取付け基準を参照ください。
 概算質量: 2.2kg

F	REFERENCE ONLY	 REFERENCE ONLY	TITLE	SERVOPACK 外形図	REV.	1
				SGDXS-1R9_5R4D□□A* (□□: 40, A0) (*: オプション仕様)	DWG. NO.	900-304-613
						SIZE A3


DWG. NO. 900-304-613-2/2



GROUND TERMINAL
2xM4 SCREWS

(NOTE) Refer to the USER'S MANUAL for a standard for installation.

APPROX. MASS: 2.2kg
DIMENSION IN mm

REFERENCE ONLY		REFERENCE ONLY	TITLE	OUTLINE DRAWING OF SERVOPACK	REV.	
				SGDXS-1R9_5R4D□□A* (□□: 40, A0) (*: OPTION CODE)	DWG. NO.	900-304-613
			SCALE 1:2		SIZE A3	