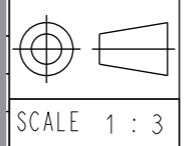


(注) 取付けはユーザーズマニュアルの取付け基準を参照ください。

概算質量: 4.1kg

REFERENCE ONLY



YASKAWA

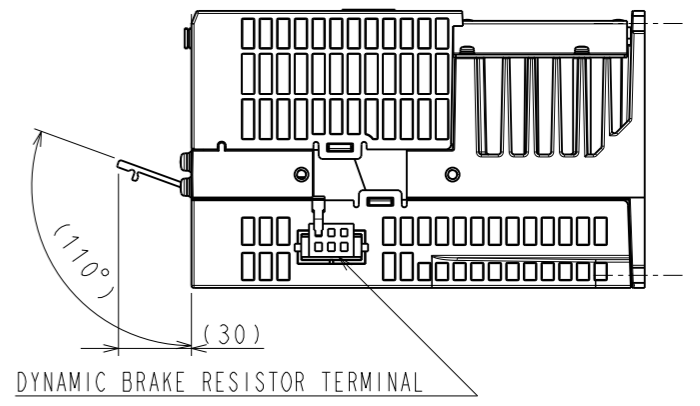
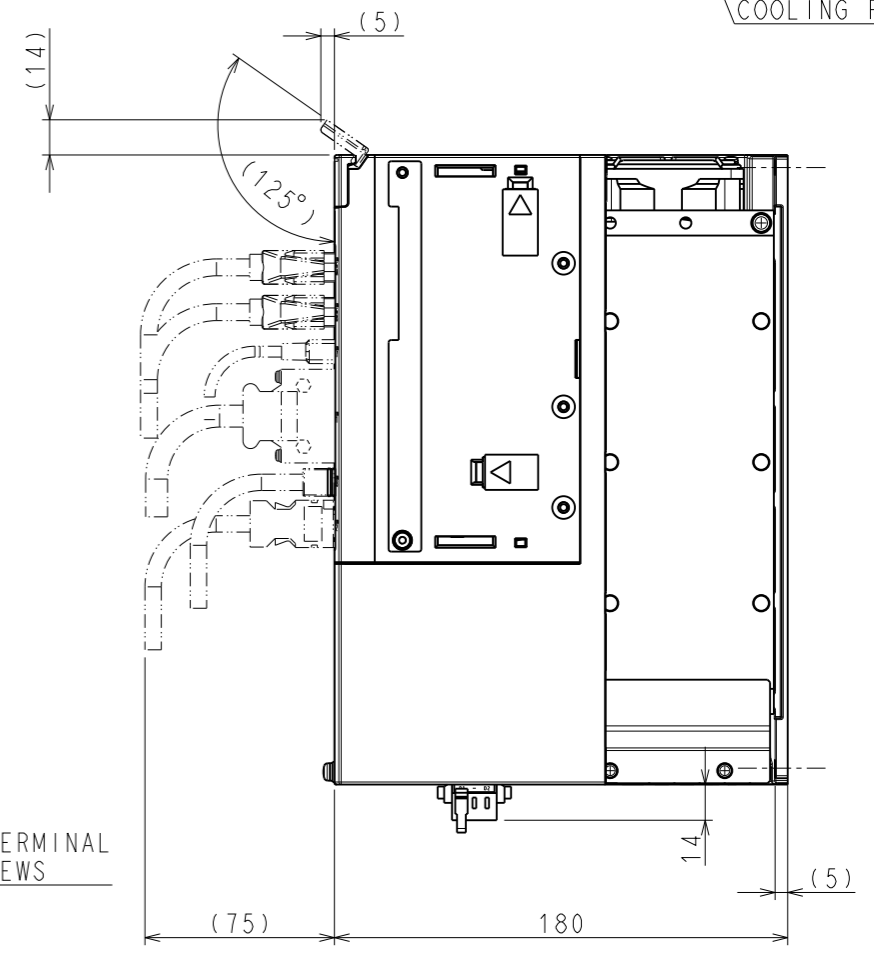
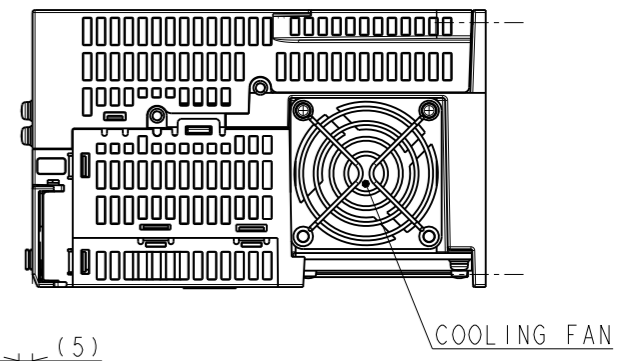
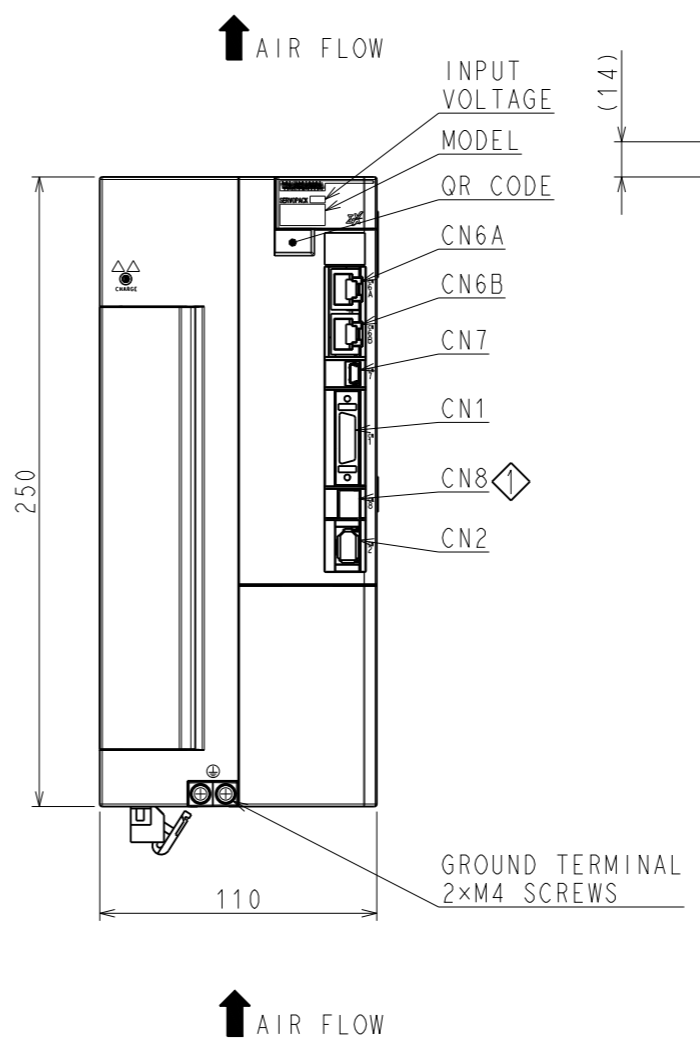
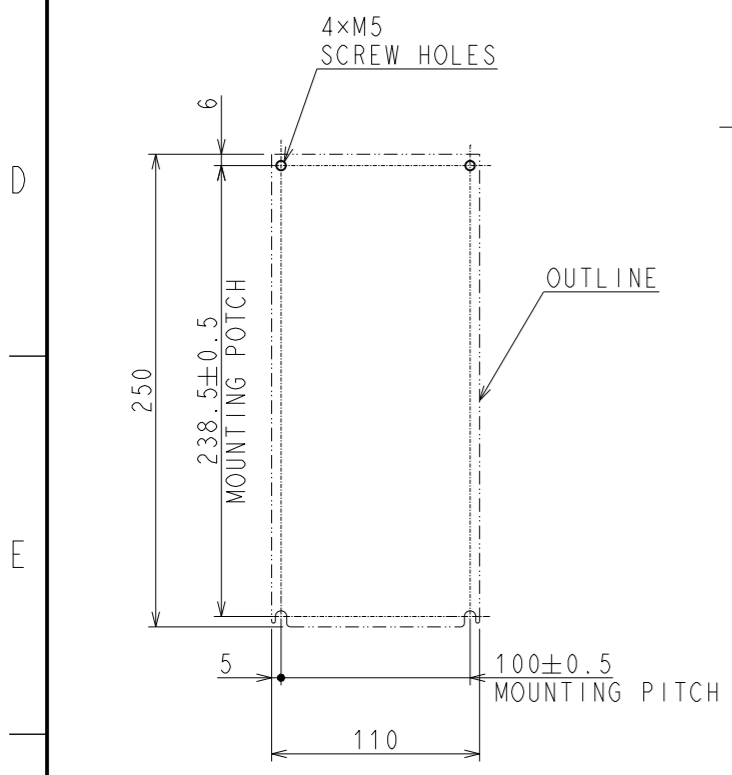
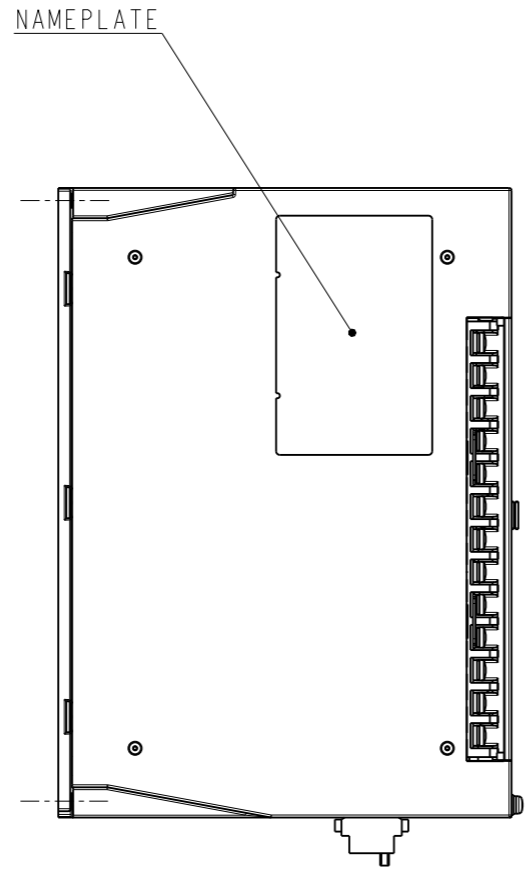
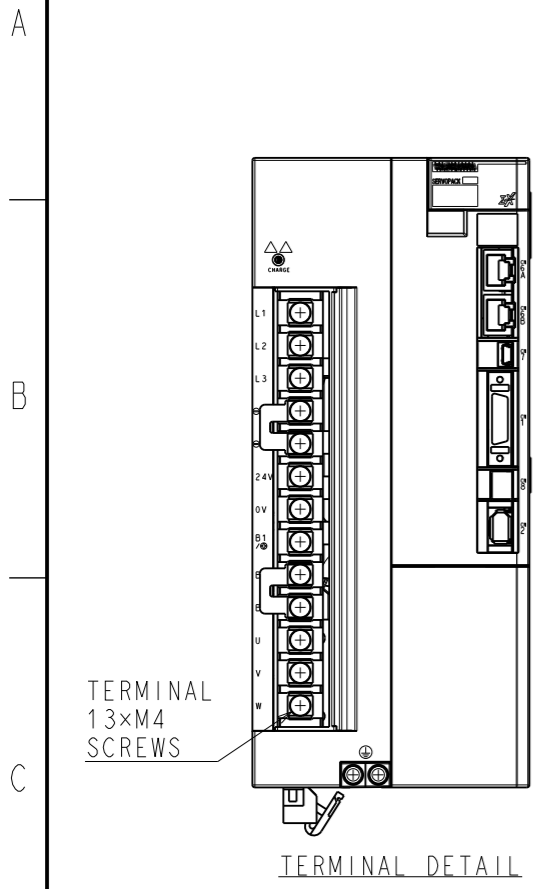
REFERENCE ONLY

TITLE
SERVOPACK 外形図
SGDXS-8R4_170D□□A*
(□□: 40, A0) (*: オプション仕様)

REV. 1
DWG. NO. 900-304-616 1/2

SIZE A3

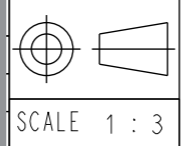
DWG. NO. 900-304-616-2/2



(NOTE) Refer to the USER'S MANUAL
for a standard for installation.

APPROX. MASS: 4.1kg
DIMENSION IN mm

REFERENCE ONLY



YASKAWA

REFERENCE ONLY

TITLE OUTLINE DRAWING OF SERVOPACK
SGDXS-8R4_170D□□A*
(□□: 40, A0) (*: OPTION CODE)

REV. 1

DWG. NO. 900-304-616 2/2

SIZE A3