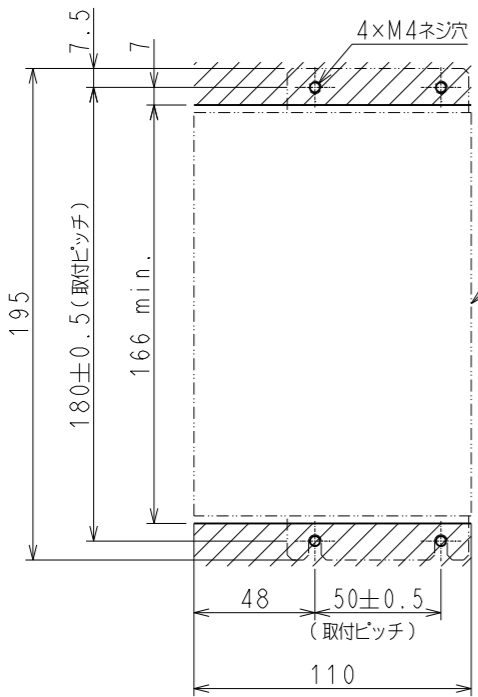
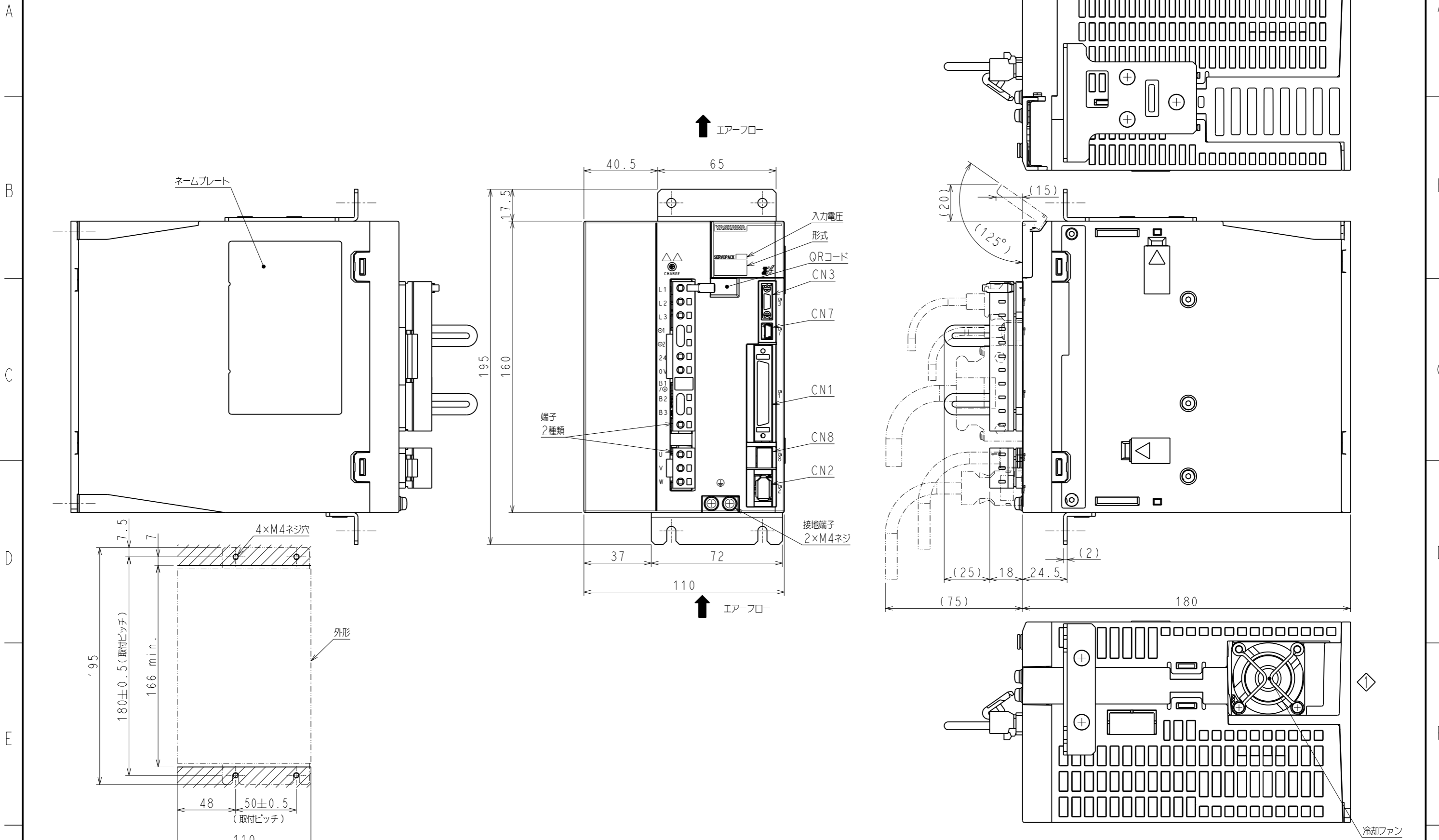


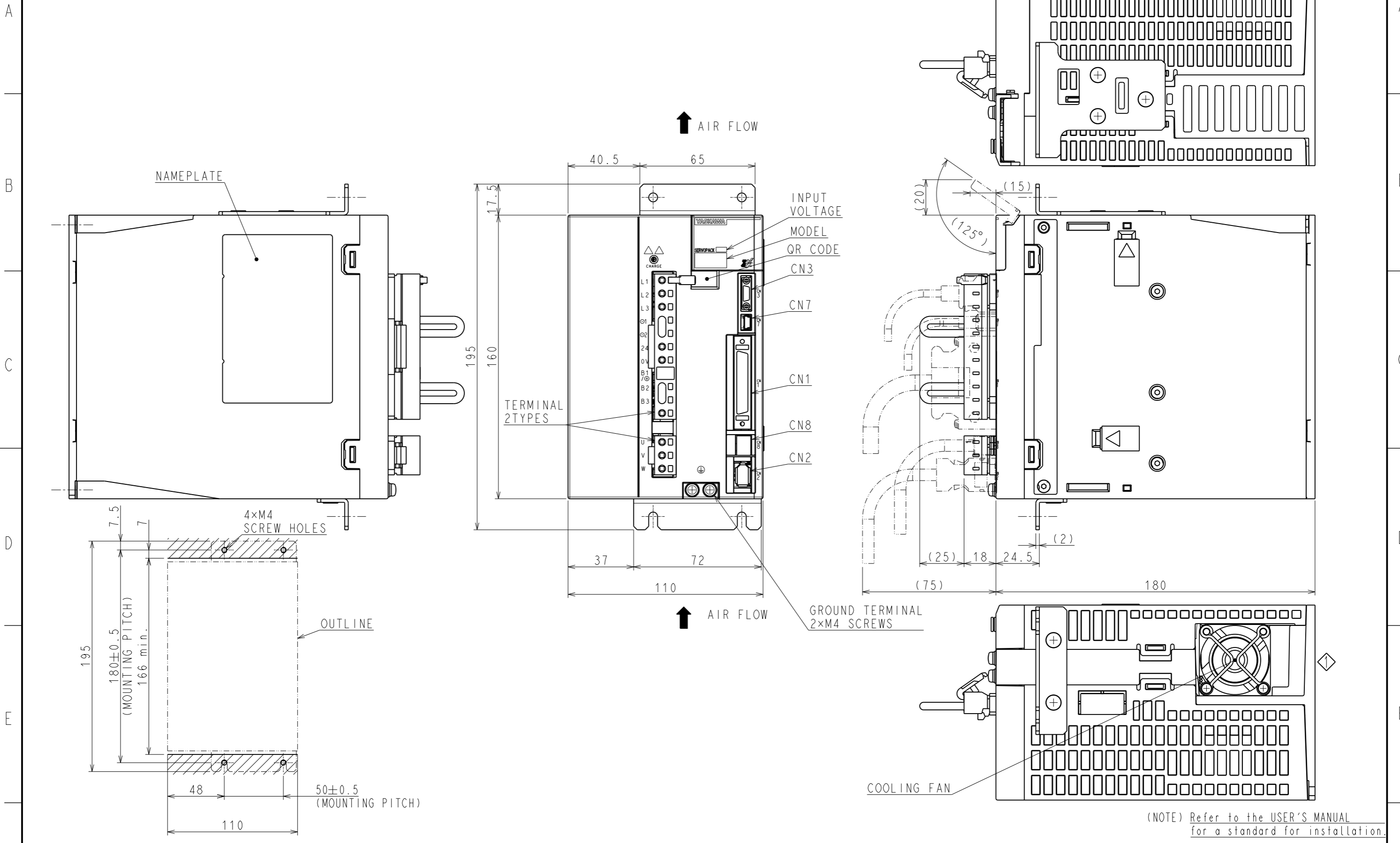
DWG. NO. 900-305-005-1/2



(注) 取付けはユーザーズマニュアルの取付け基準を参照ください。
 概算質量: 2.3kg

REFERENCE ONLY	SCALE 1:2	YASKAWA	REFERENCE ONLY	TITLE	SERVOPACK 外形図	REV.	1
					SGDXS-1R9_5R4D00A* (*:オプション仕様)	DWG. NO.	900-305-005 1/2
						SIZE A3	


DWG. NO. 900-305-005-2/2



MOUNTING HOLE DIAGRAM(SCALE 1:3)

(NOTE) Refer to the USER'S MANUAL for a standard for installation.

APPROX. MASS: 2.3kg
DIMENSION IN mm

REFERENCE ONLY	 SCALE 1:2	REFERENCE ONLY	TITLE	OUTLINE DRAWING OF SERVOPACK	REV.	1
				SGDXS-1R9_5R4D00A* (*:OPTION CODE)	DWG. NO.	900-305-005
				SIZE	A3	