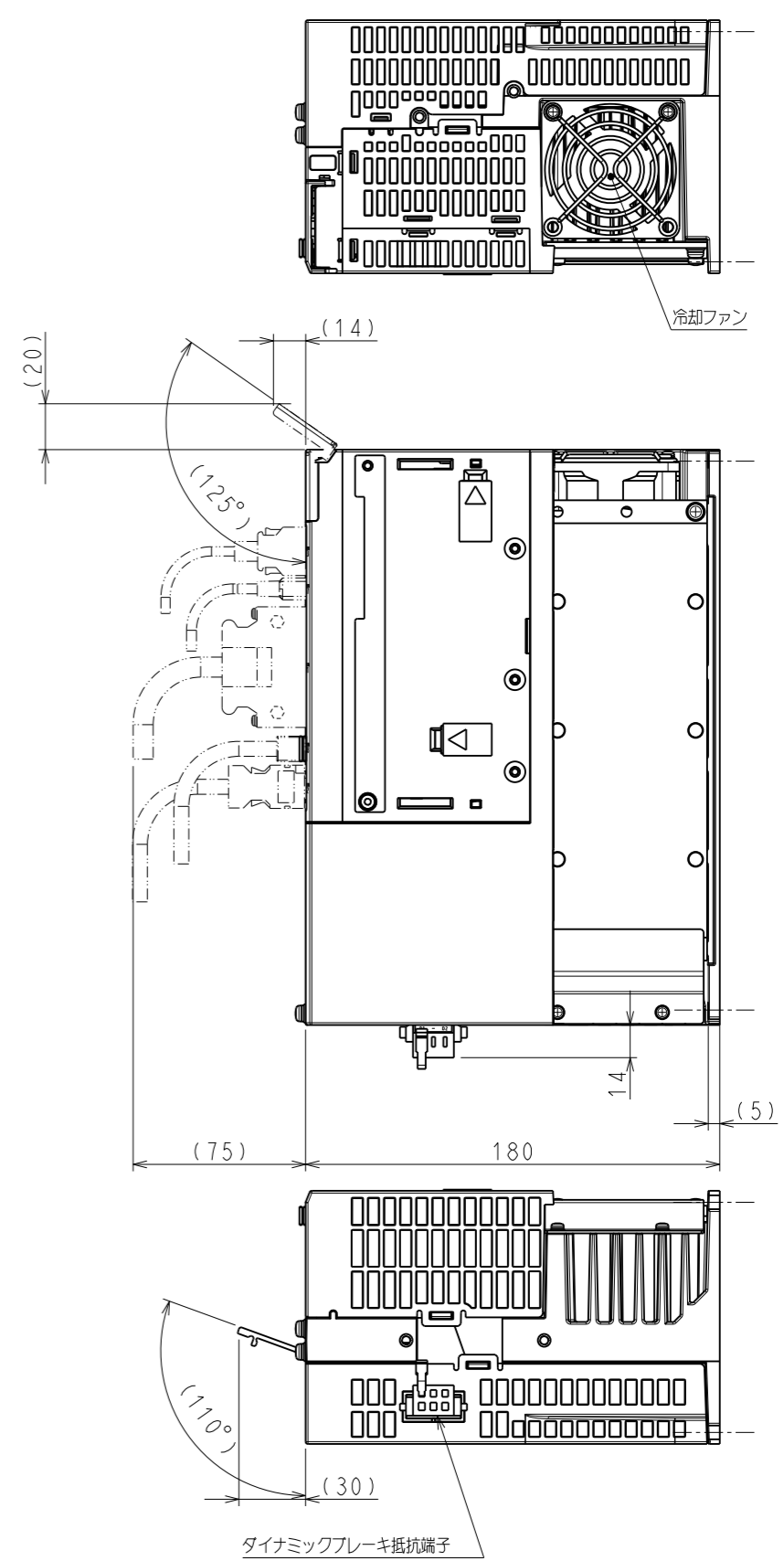
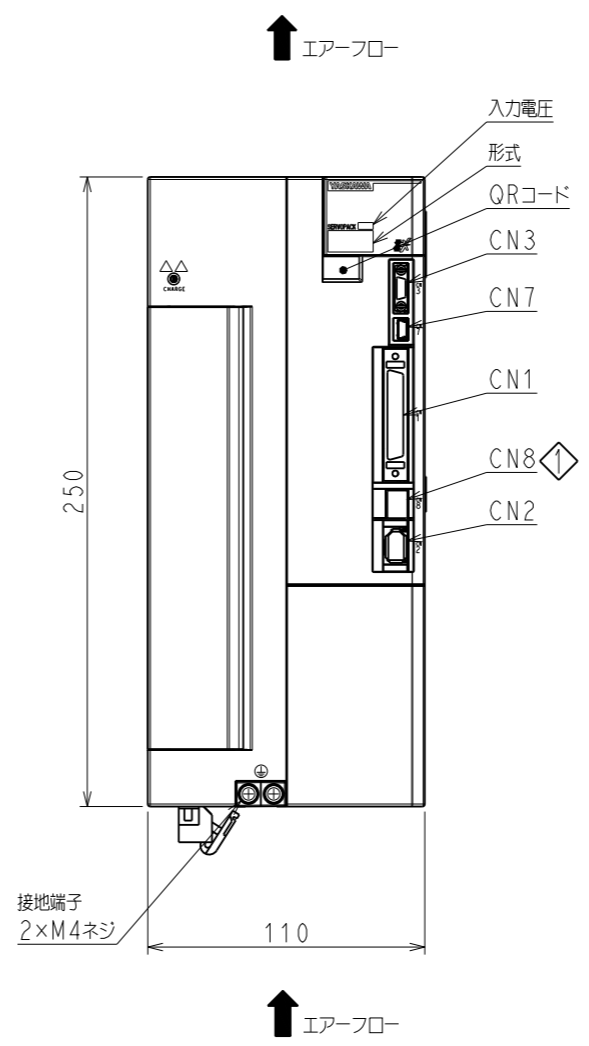
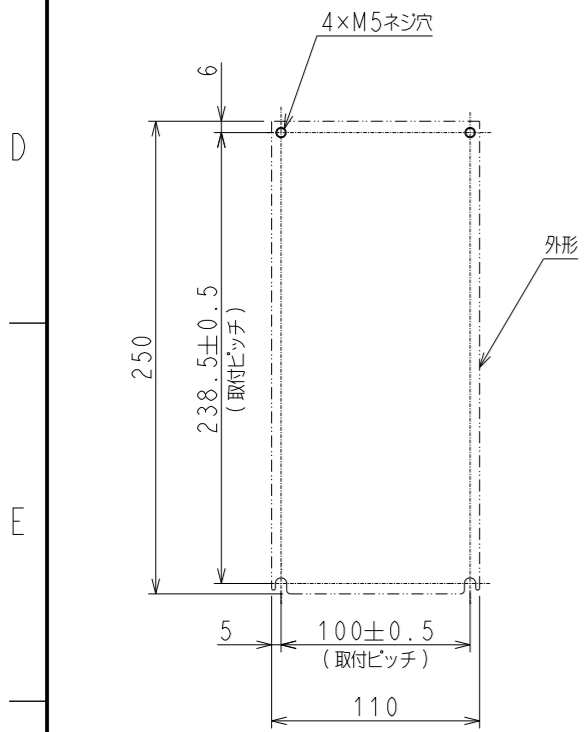
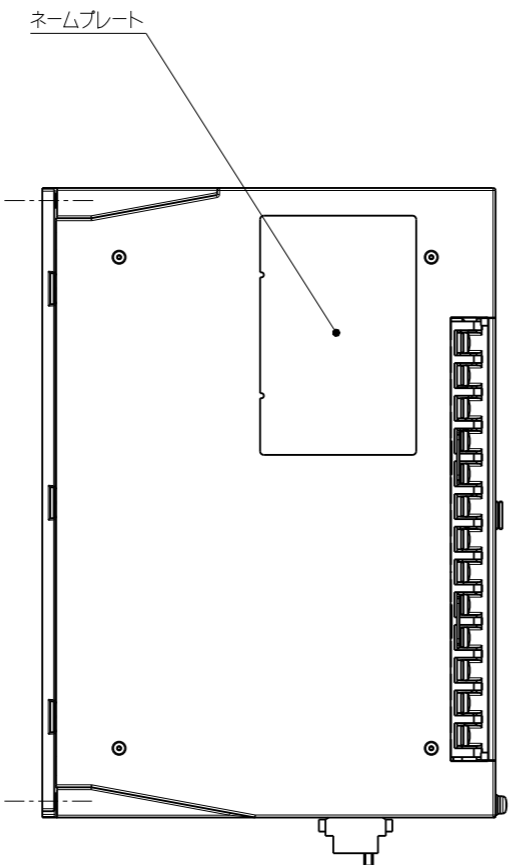
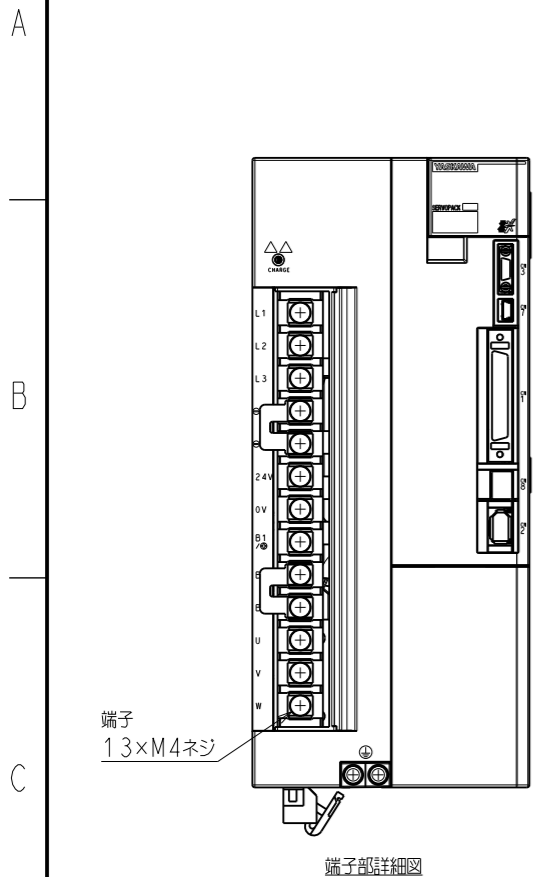


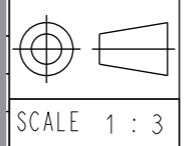
DWG. NO. 900-305-012-1/2



(注) 取付けはユーザーズマニュアルの取付け基準を参照ください。

概算質量: 4.1kg

REFERENCE ONLY



YASKAWA

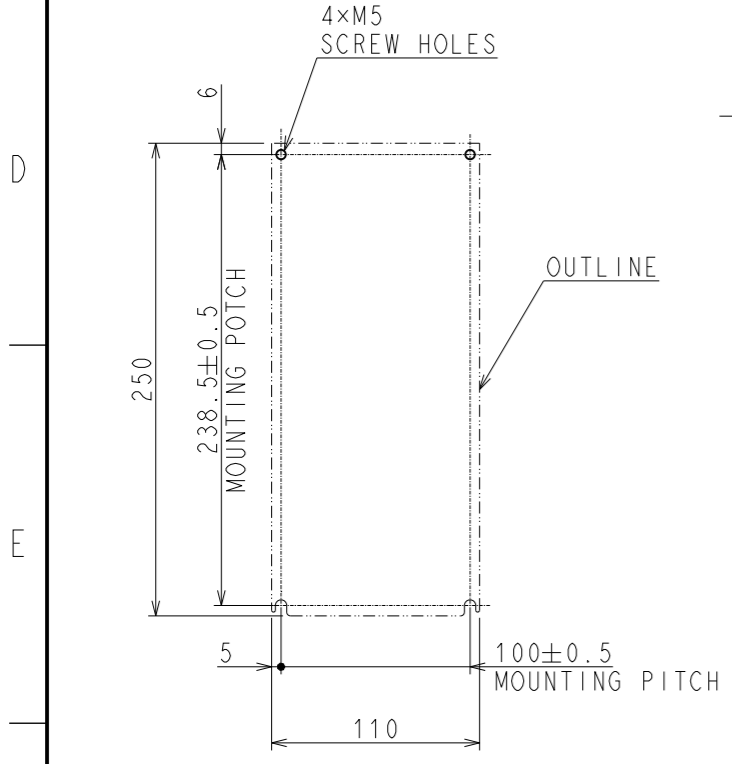
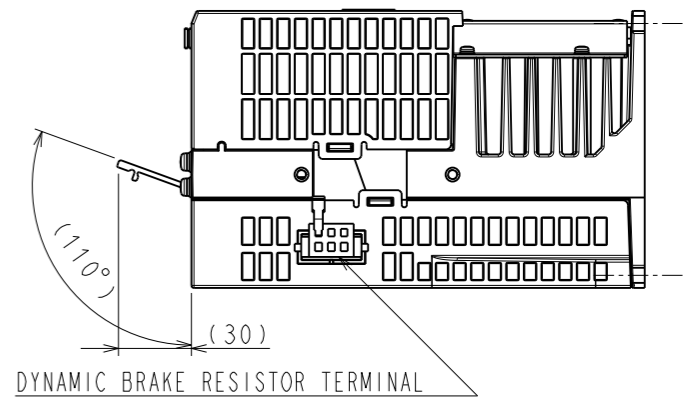
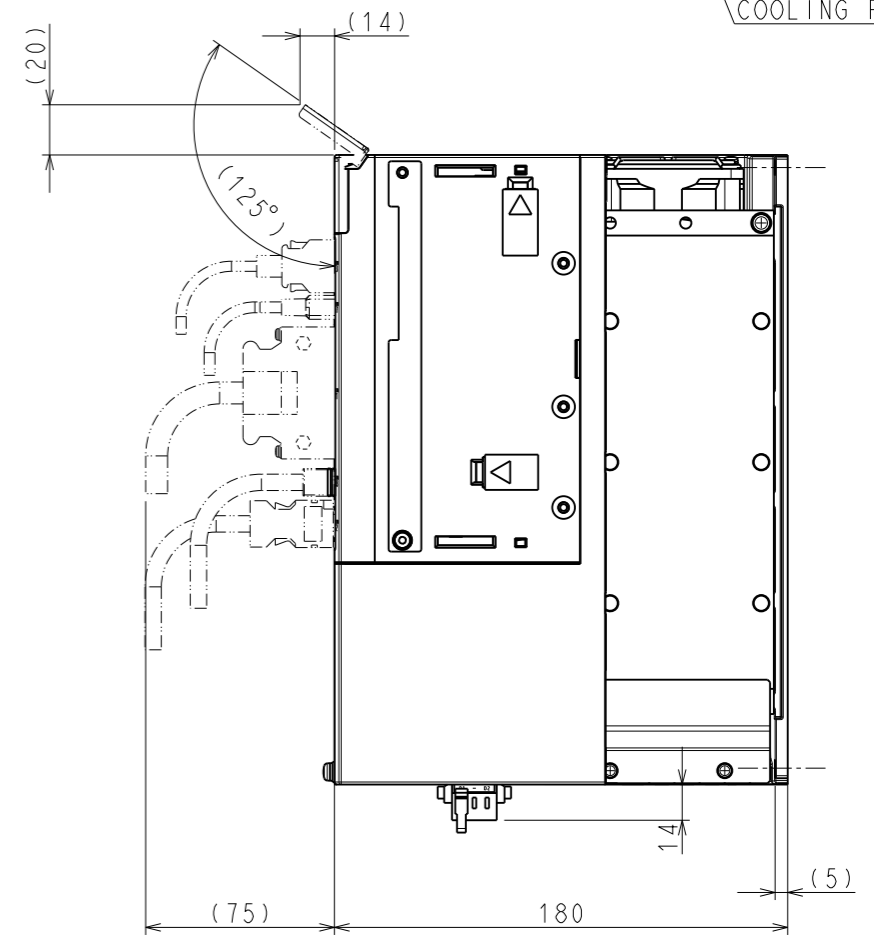
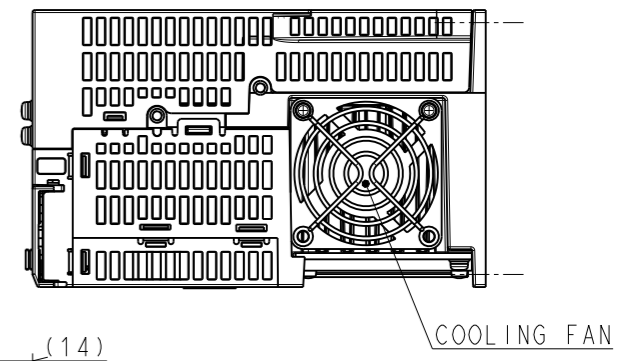
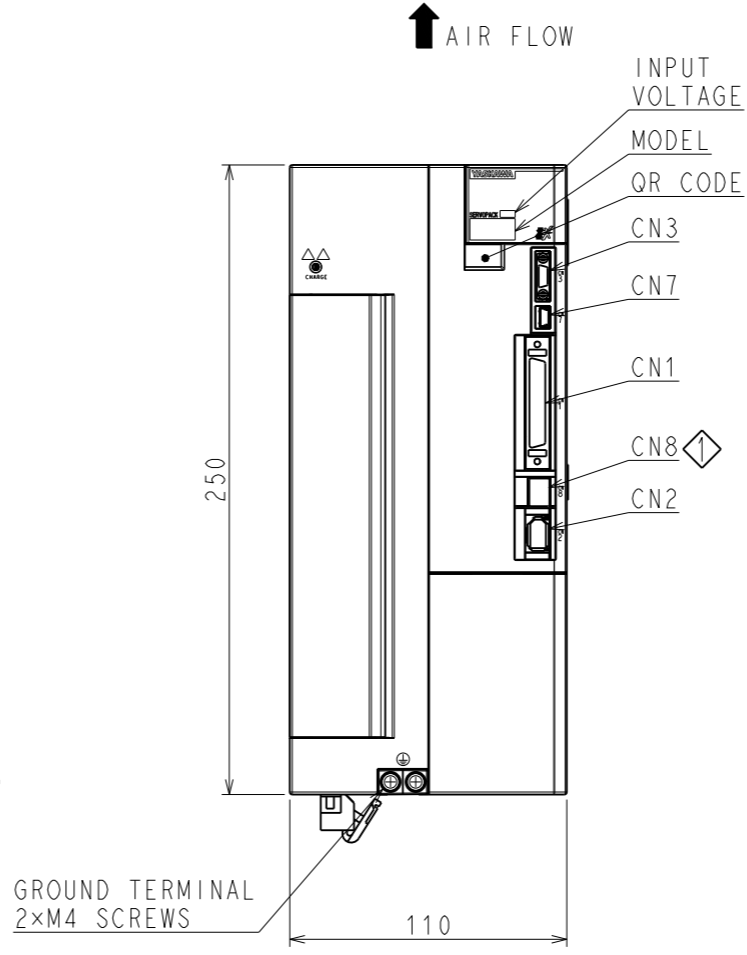
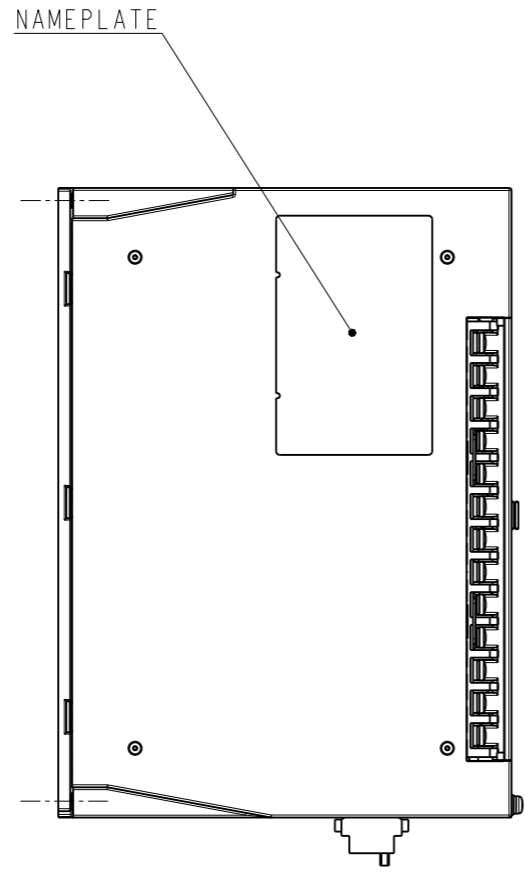
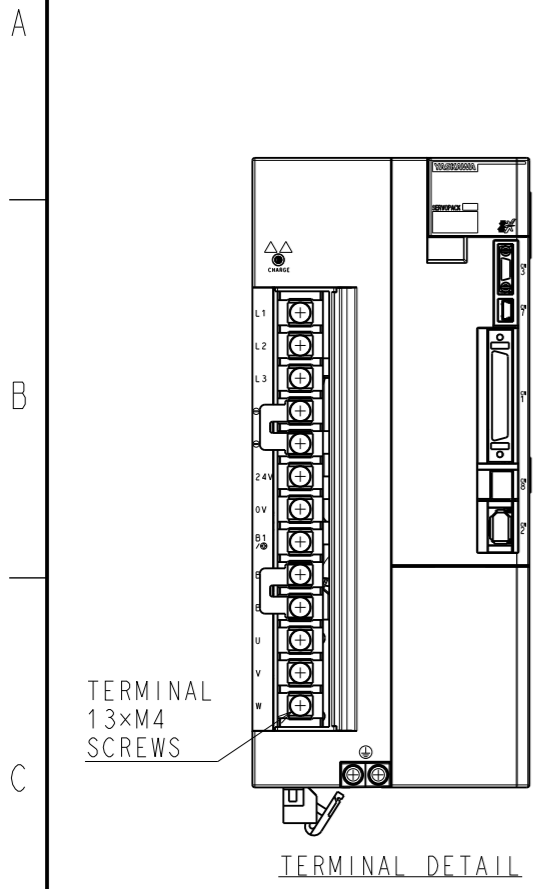
REFERENCE ONLY

TITLE
SERVOPACK 外形図
SGDXS-8R4_170D00A*
(*:オプション仕様)

REV. 1
DWG. NO. 900-305-012 1/2

SIZE A3

DWG. NO. 900-305-012-2/2

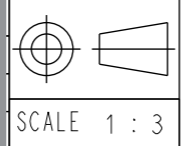


MOUNTING HOLE DIAGRAM(SCALE 1:4)

(NOTE) Refer to the USER'S MANUAL for a standard for installation.

APPROX. MASS: 4.1kg
DIMENSION IN mm

REFERENCE ONLY



YASKAWA

REFERENCE ONLY

TITLE OUTLINE DRAWING OF SERVOPACK
SGDXS-8R4_170D00A*
(*:OPTIONCODE)

DWG. NO. 900-305-012 2/2

REV. 1

SIZE A3