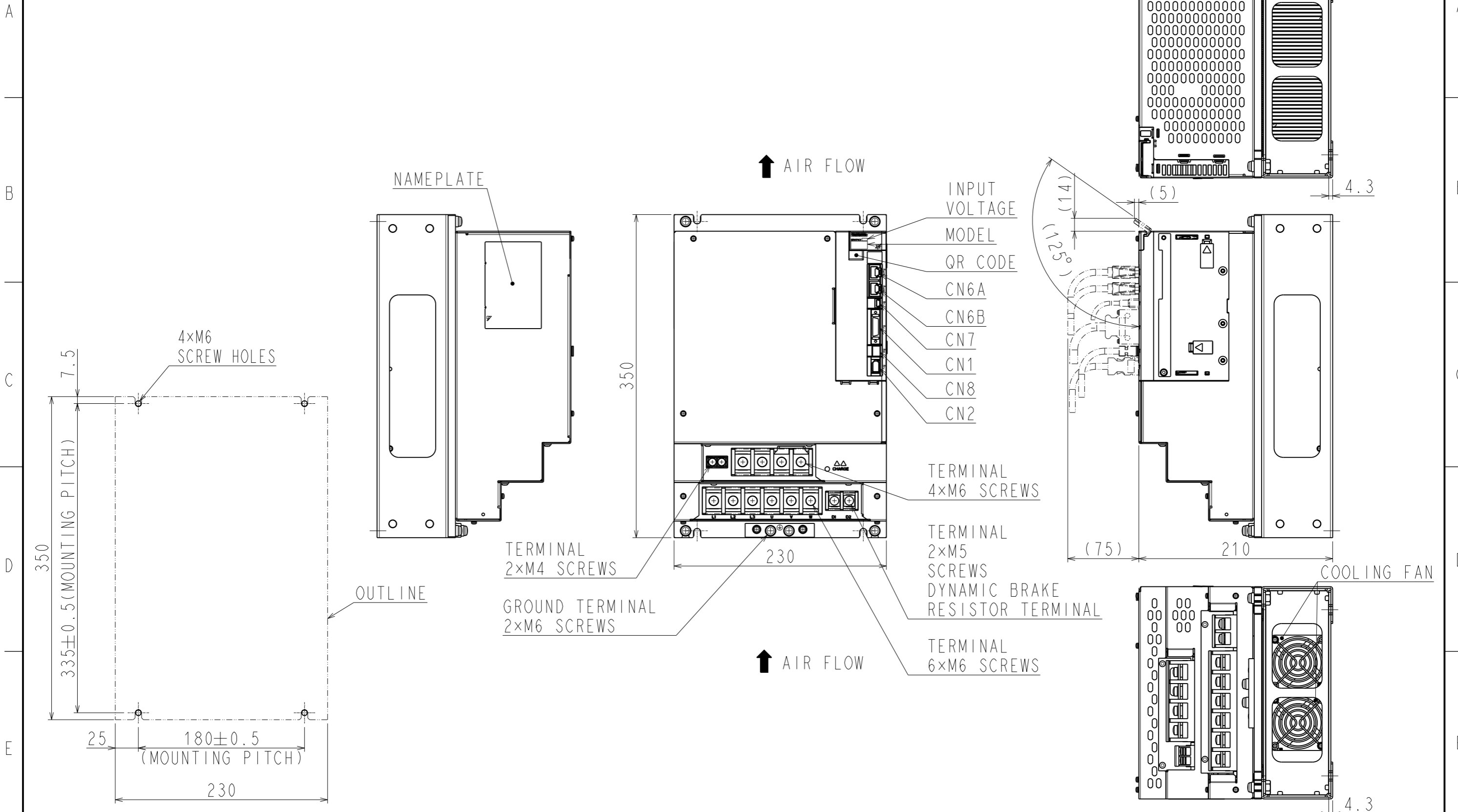


(注) 取付けはユーザーズマニュアルの取付け基準を参照ください。

◇ 概算質量: 12kg


REFERENCE ONLY	SCALE 1 : 4	YASKAWA	REFERENCE ONLY	TITLE	SERVOPACK外形図	REV.	1
					SGDXS-210/260/280/370D□□A* (□□: 40, A0) (*: オプション仕様)	DWG. NO.	900-309-282
				SIZE		A3	

DWG. NO. 900-309-282-2/2



(NOTE) Refer to the USER'S MANUAL for a standard for installation.

◇ APPROX. MASS: 12kg
DIMENSION IN mm

REFERENCE ONLY	 SCALE 1 : 4	REFERENCE ONLY	TITLE	OUTLINE DRAWING OF SERVOPACK	REV. 1	
				SGDXS-210/260/280/370D□□A* (□□: 40, A0)(*: OPTION CODE)		DWG. NO. 900-309-282
					SIZE	A3