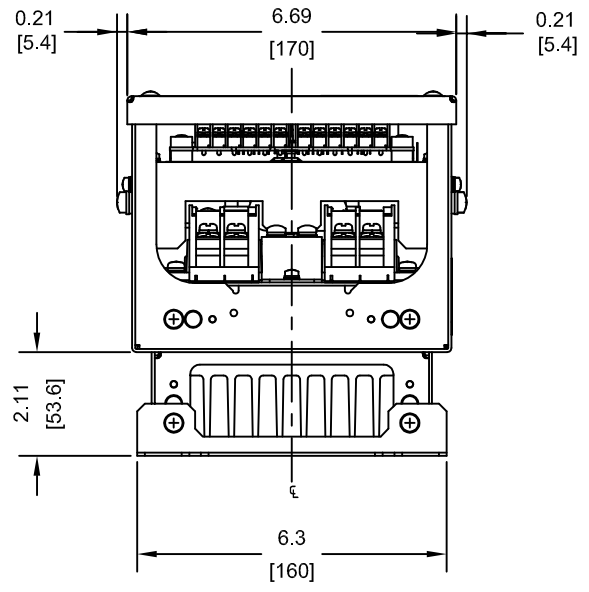
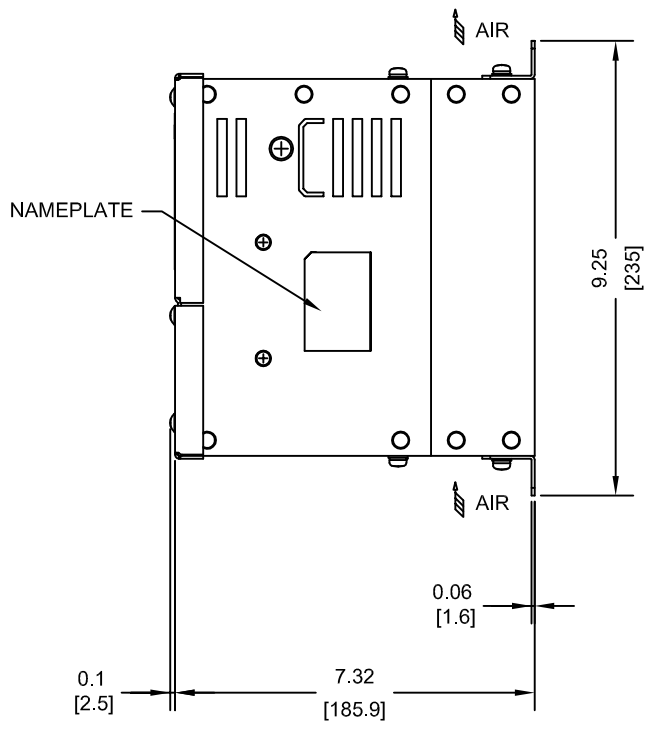
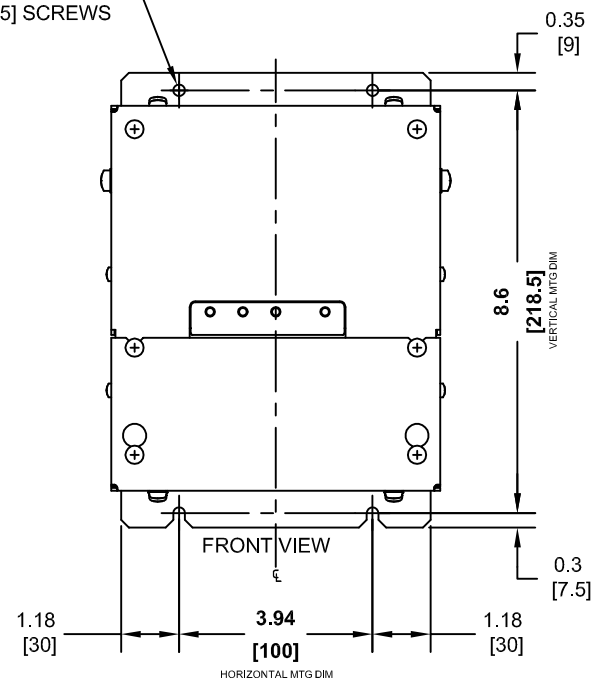


A  
B  
C  
D  
E  
F  
G  
H  
I  
J

(4)-MOUNTING HOLES FOR #10[M5] SCREWS

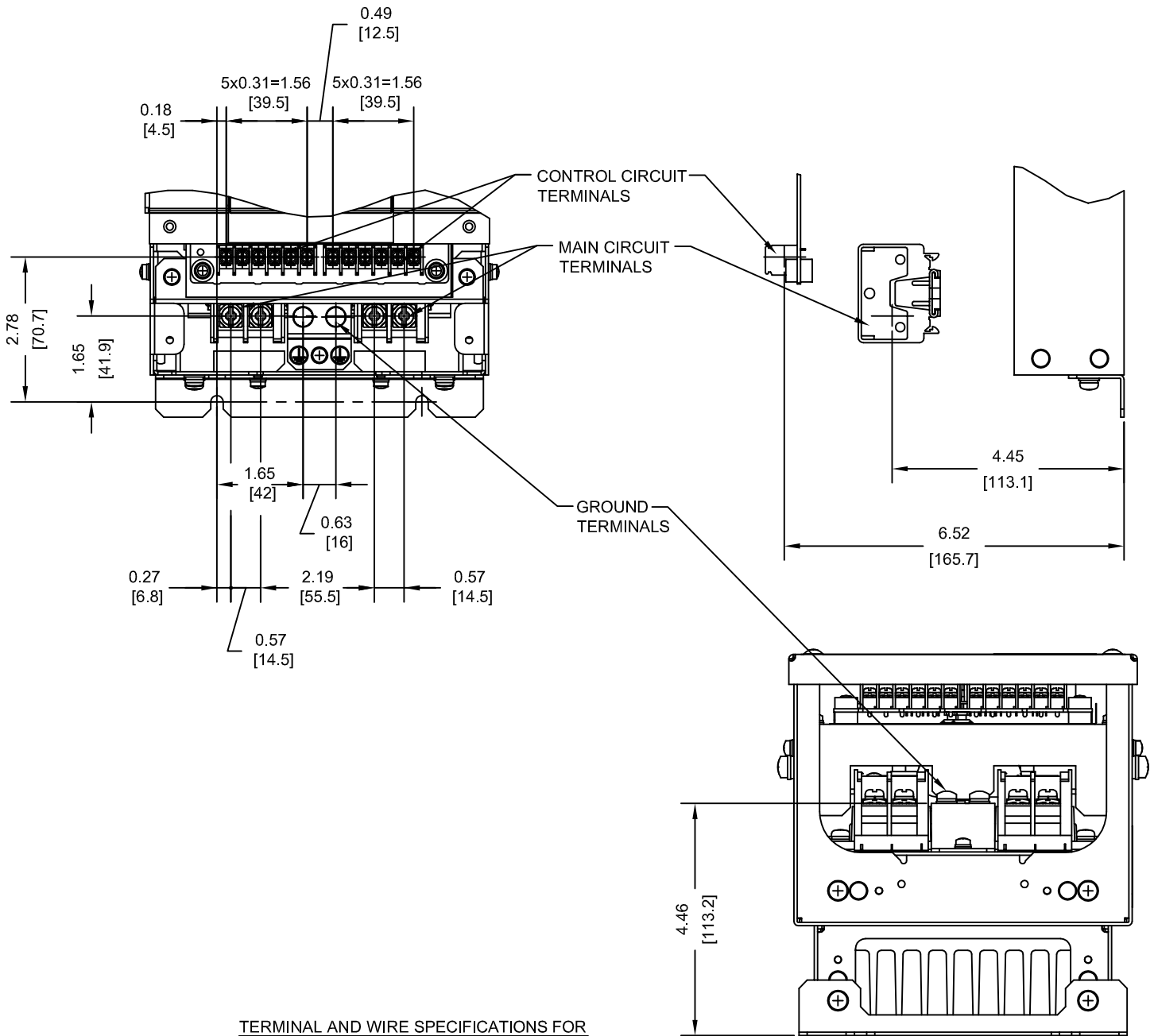


| MODEL #<br>CDBR- | BRAKING VOLTAGE LEVEL (VDC) | PEAK DISCHARGE CURRENT (A)<br>(10% ED, 10 s) | CONTINUOUS DISCHARGE CURRENT (A) | WEIGHT LBS (Kg) | HEAT LOSS (W) |     |     |
|------------------|-----------------------------|--|----------------------------------|-----------------|---------------|-----|-----|
|                  |                             |  |                                  |                 | INT           | EXT | TOT |
| 2055D            | 270-380                     | 120  | 40                               | 12.1 (5.5)      | 16            | 48  | 64  |
| 4090D            | 630-760                     | 100  | 30                               | 12.1 (5.5)      | 13            | 38  | 51  |

FOR ADDITIONAL DETAILS AND SPECIFICATIONS, CONSULT MANUAL

|                          |               |   |                           |                 |                                  |                |   |
|--------------------------|---------------|---|---------------------------|-----------------|----------------------------------|----------------|---|
| TOLERANCES / REFERENCES: |               | <h1>YASKAWA</h1> <p><i>THIS DOCUMENT AND INFORMATION CONTAINED IN IT ARE CONFIDENTIAL, AND CANNOT BE COPIED OR DISCLOSED IN WHOLE OR IN PART WITHOUT THE EXPRESS WRITTEN CONSENT OF YASKAWA AMERICA, INC.</i></p> | DRAWN:<br>J. MATTAS       | DATE<br>4-1-16  | TITLE:<br>CDBR DIMENSION DRAWING |                |   |
| UNITS:<br>IN[mm]         | SCALE:<br>1:4 |   | CHECKED:<br>J. PIOTROWSKI | DATE<br>4-8-16  | FRAME SIZE 2                     |                |   |
|                          |               |   | TECH:<br>J. BORJA         | DATE<br>4-12-16 | IP00 ENCLOSURE                   |                |   |
|                          |               |   | APPROVED:<br>J. CAIRO     | DATE<br>5-11-16 | CDBR2055D, CDBR4090D             |                |   |
|                          |               | ORIGINAL DESIGN:  | DATE<br>-                 | SIZE<br>A       | REVISION<br>R00                  | PAGE<br>1 of 2 | DRAWING #:<br><b>DD.CDBR.D.FR2.IP00</b> |

TERMINAL AND WIRING DETAILS (SCALE 1:3)



TERMINAL AND WIRE SPECIFICATIONS FOR MAIN CIRCUIT AND GROUND

| MODEL #<br>CDBR- | TERMINAL SYMBOL                                      | TERMINAL SCREW | CLAMPING TORQUE<br>lb.in.(N.m.) | WIRE RANGE<br>AWG(mm <sup>2</sup> ) |
|------------------|--|----------------|---------------------------------|-------------------------------------|
| 2055D<br>4090D   | ⊕, ⊖, B1, B2   | M5             | 17.7 TO 22.1 (2.0 TO 2.5)       | 8-6 (8-16)                          |
|                  | IN1, IN2, OUT1, OUT2, SB, SC, MA, MB, MC, EA, EB, EC | M3.5           | 7.1 TO 8.9 (0.8 TO 1.0)         | 18-14 (0.75-2)                      |
|                  | ⊕  | M5             | 17.7 TO 22.1 (2.0 TO 2.5)       | 6 (16)                              |

NOTE: REFER TO APPLICABLE CODES FOR PROPER WIRE TYPE AND SIZE

FOR ADDITIONAL DETAILS AND SPECIFICATIONS, CONSULT MANUAL

|  |                   |                       |                           |   |                                  |                |  |
|--|-------------------|-----------------------|---------------------------|---|----------------------------------|----------------|--|
| TOLERANCES / REFERENCES:   |                   | <b>YASKAWA</b>        | DRAWN:<br>J. MATTAS       | DATE<br>4-1-16                          | TITLE:<br>CDBR DIMENSION DRAWING |                |  |
| THIS DOCUMENT AND INFORMATION CONTAINED<br>IN IT ARE CONFIDENTIAL, AND CANNOT BE<br>COPIED OR DISCLOSED IN WHOLE OR IN PART<br>WITHOUT THE EXPRESS WRITTEN CONSENT<br>OF YASKAWA AMERICA, INC. |                   |                       | CHECKED:<br>J. PIOTROWSKI | DATE<br>4-8-16                          | FRAME SIZE 2                     |                |  |
|  |                   |                       | TECH:<br>J. BORJA         | DATE<br>4-12-16                         | IP00 ENCLOSURE                   |                |  |
|  |                   |                       | APPROVED:<br>J. CAIRO     | DATE<br>5-11-16                         | CDBR2055D, CDBR4090D             |                |  |
| UNITS:<br>IN[mm]   | SCALE:<br>BY VIEW | ORIGINAL DESIGN:<br>- | DATE<br>-                 | SIZE<br>A                               | REVISION<br>R00                  | PAGE<br>2 of 2 |  |
|  |                   |                       |                           | DRAWING #:<br><b>DD.CDBR.D.FR2.IP00</b> |                                  |                |  |