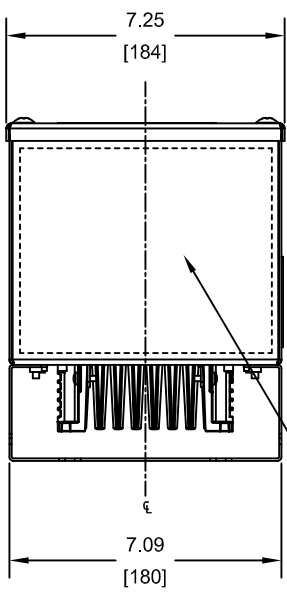
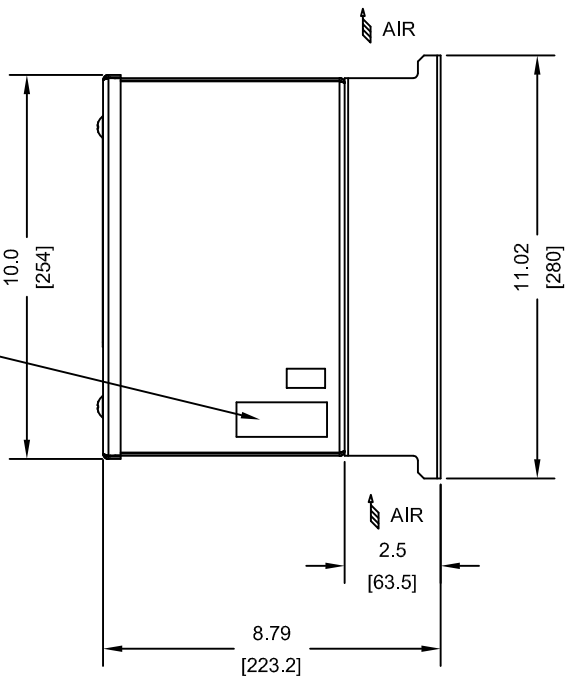


(4)-MOUNTING HOLES FOR 1/4" [M6] SCREWS



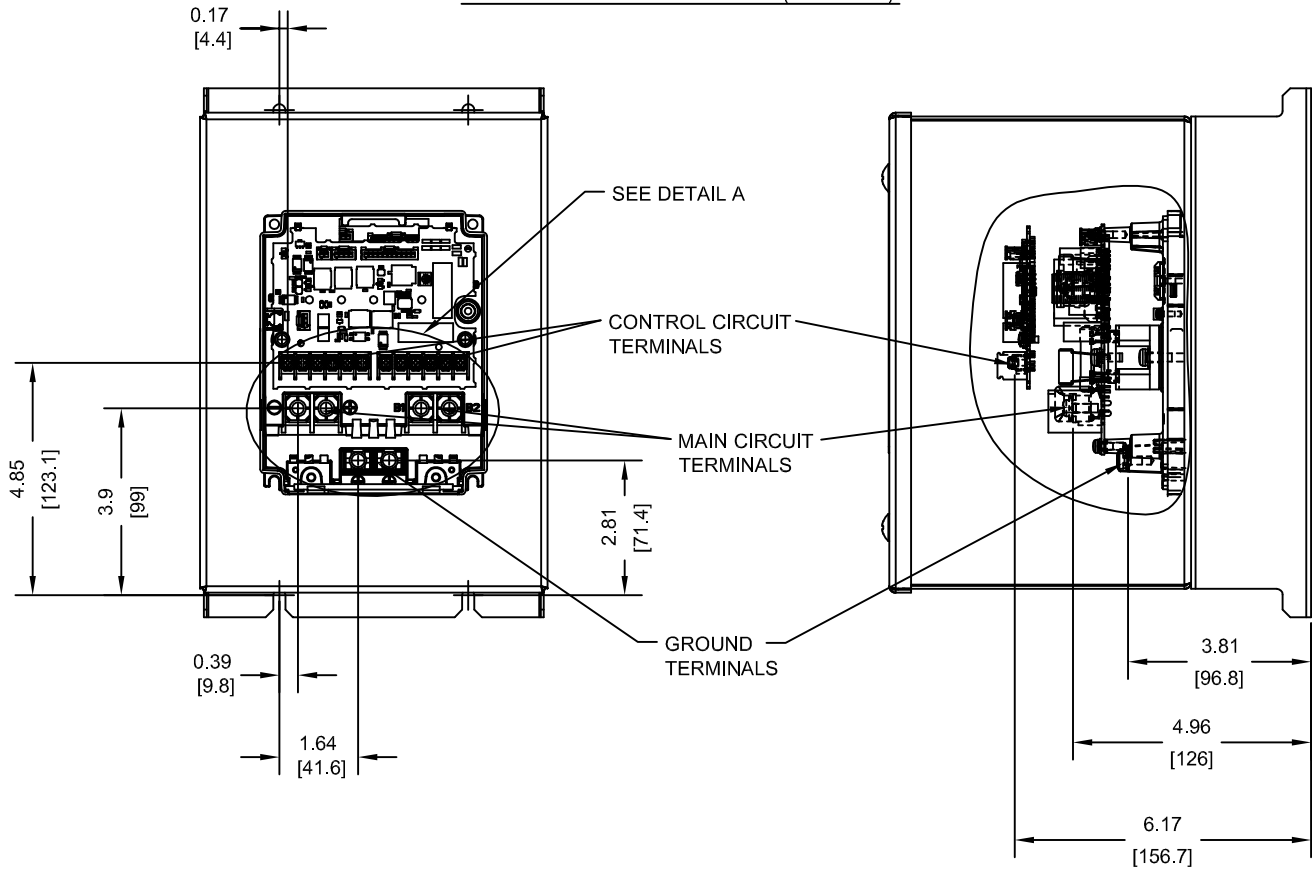
RECOMMENDED CONDUIT ENTRY.
USE APPROVED FITTINGS THAT MEET UL TYPE 12 OR BETTER SPECIFICATIONS.
SUPPLIED BY OTHERS.

MODEL # CDBR-	BRAKING VOLTAGE LEVEL (VDC)	PEAK DISCHARGE CURRENT (A) (10% ED, 10 s)	CONTINUOUS DISCHARGE CURRENT (A)	WEIGHT LBS (Kg)	HEAT LOSS (W)		
					INT	EXT	TOT
20223D	270-380	60	20	12.3 (5.6)	5.4	21.6	27.0
20373D		80	24	12.3 (5.6)	7.6	30.4	38.0
40303D	630-760	40	15	12.3 (5.6)	4.8	19.2	24.0
40453D		60	18	12.3 (5.6)	7.2	28.8	36.0
50373D	825-950	40	15	12.3 (5.6)	4.8	19.2	24.0

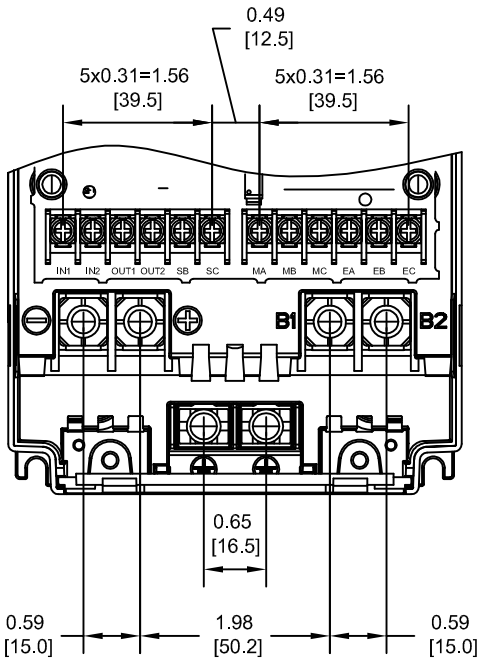
FOR ADDITIONAL DETAILS AND SPECIFICATIONS, CONSULT MANUAL

TOLERANCES / REFERENCES:		DRAWN: J. MATTAS DATE: 3-5-13	TITLE: 1000-SERIES CDBR DIMENSION DRAWING		
		CHECKED: J. PIOTROWSKI DATE: 3-6-13	NEMA TYPE 12 ENCLOSURE CDBR20223D, CDBR20373D		
THIS DOCUMENT AND INFORMATION CONTAINED IN IT ARE CONFIDENTIAL, AND CANNOT BE COPIED OR DISCLOSED IN WHOLE OR IN PART WITHOUT THE EXPRESS WRITTEN CONSENT OF YASKAWA AMERICA, INC.		TECH: J. BORJA DATE: 3-8-13	CDBR40303D, CDBR40453D, CDBR50373D		
		APPROVED: J. CAIRO DATE: 5-29-13	SIZE A	REVISION R00	PAGE 1 of 2
UNITS: IN [mm]	SCALE: 1:5	ORIGINAL DESIGN: -	DATE: -	DRAWING #: DD.CDBR.D.N12	

TERMINAL AND WIRING DETAILS (SCALE 1:4)



DETAIL A (SCALE 1:2)



TERMINAL AND WIRE SPECIFICATIONS FOR MAIN CIRCUIT AND GROUND

MODEL #	TERMINAL SYMBOL	TERMINAL SCREW	CLAMPING TORQUE lb.in.(N.m.)	WIRE RANGE AWG(mm ²)
20223D	⊕, ⊙, B1, B2	M5	23.9 TO 26.6 (2.7 TO 3.0)	10-8 (5.5-8)
20373D	IN1, IN2, OUT1, OUT2, SB, SC, MA, MB, MC, EA, EB, EC	M3.5	7.1 TO 8.9 (0.8 TO 1.0)	18-14 (0.75-2)
40303D				
40453D				
50373D	⊕	M5	17.7 TO 22.1 (2.0 TO 2.5)	8 (8)

NOTE: REFER TO APPLICABLE CODES FOR PROPER WIRE TYPE AND SIZE

FOR ADDITIONAL DETAILS AND SPECIFICATIONS, CONSULT MANUAL

TOLERANCES / REFERENCES:



THIS DOCUMENT AND INFORMATION CONTAINED IN IT ARE CONFIDENTIAL, AND CANNOT BE COPIED OR DISCLOSED IN WHOLE OR IN PART WITHOUT THE EXPRESS WRITTEN CONSENT OF YASKAWA AMERICA, INC.

DRAWN: J. MATTAS	DATE 3-5-13	TITLE: 1000-SERIES CDBR DIMENSION DRAWING	
CHECKED: J. PIOTROWSKI	DATE 3-6-13	NEMA TYPE 12 ENCLOSURE	
TECH: J. BORJA	DATE 3-8-13	CDBR20223D, CDBR20373D	
APPROVED: J. CAIRO	DATE 5-29-13	SIZE A	REVISION R00
ORIGINAL DESIGN: -	DATE -	PAGE 2 of 2	
		DRAWING #: DD.CDBR.D.N12	

UNITS: IN [mm] SCALE: BY VIEW