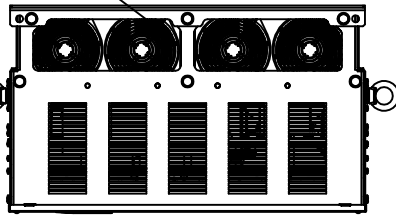
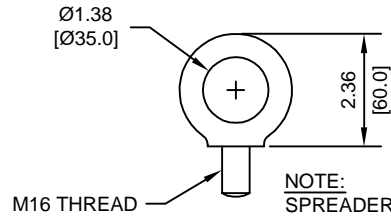


(4) EXTERNAL COOLING FANS

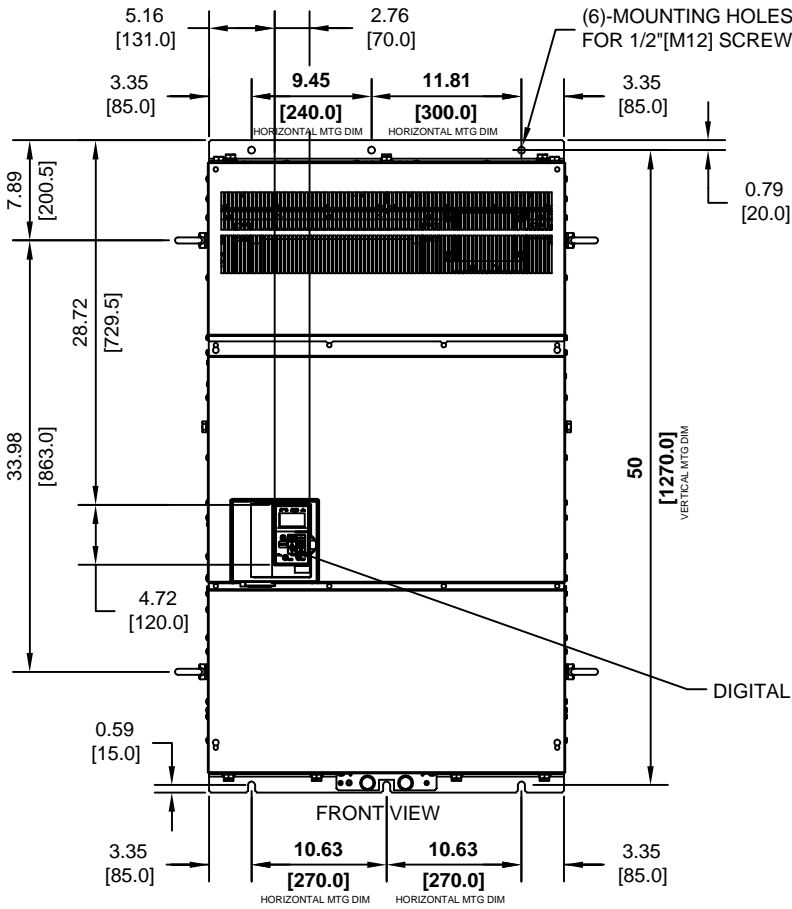


**LIFTING AND EYEBOLT DETAILS**



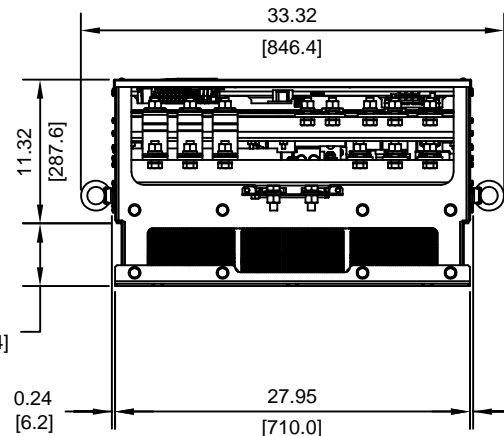
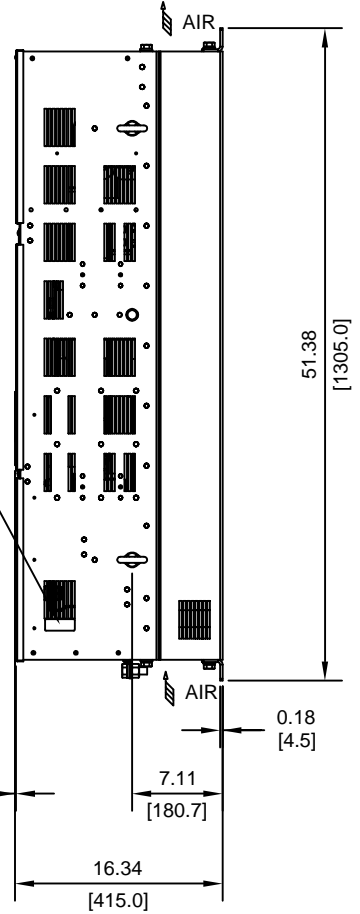
**NOTE:**  
SPREADER BAR REQUIRED TO AVOID DAMAGE DURING LIFTING

(6)-MOUNTING HOLES FOR 1/2" [M12] SCREWS



NAMEPLATE

DIGITAL OPERATOR



MODEL #	VOLTAGE (VAC)	OUTPUT CURRENT (A)	WEIGHT LBS (Kg)	HEAT LOSS (W)		
				INT	EXT	TOTAL
CIMR-E7U 4185	480	414	572 (260)	1328	2636	3964
4220		515	616 (280)	1712	3797	5509

INT=INTERNAL COMPONENTS  
EXT=EXTERNAL HEATSINK

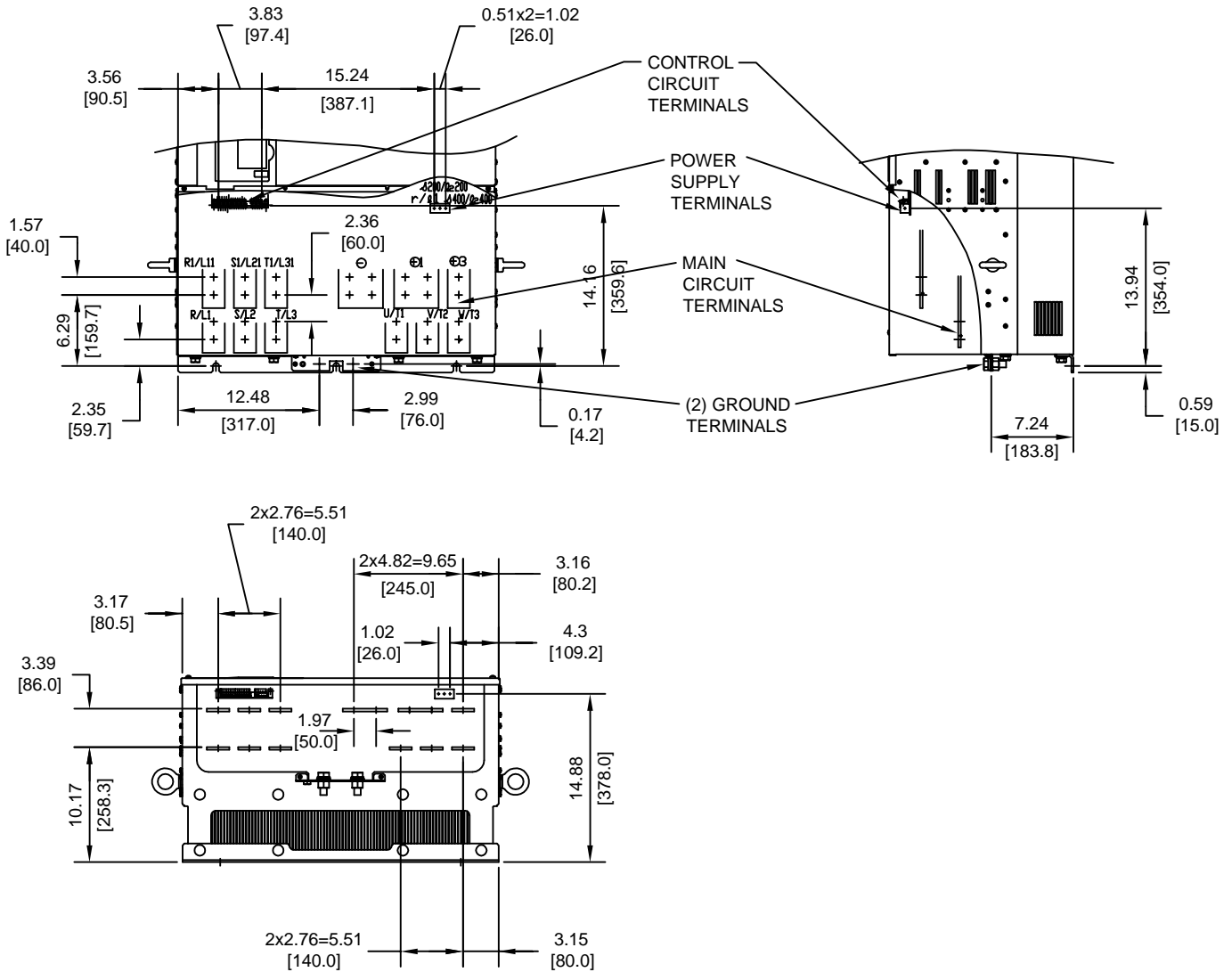
FOR ADDITIONAL DETAILS AND SPECIFICATIONS, CONSULT MANUAL

TOLERANCES/REFERENCES:	
UNITS:	SCALE:
IN[mm]	1:15

**YASKAWA**  
A World of Automation Solutions™  
YASKAWA ELECTRIC AMERICA, INC.  
Corporate Headquarters  
2121 Norman Drive South  
Waukegan, IL 60085  
1-800-YASKAWA  
http://www.yaskawa.com

DRAWN: J. MATTAS	DATE: 5-2-05	TITLE: E7 DIMENSION DRAWING		
CHECKED: M. RUCINSKI	DATE: 6-5-05	FRAME SIZE 14		
TECH: J. CAIRO	DATE: 5-4-05	IP00 ENCLOSURE		
APPROVED: T. SASADA	DATE: 6-8-05	E7U4185, 4220		
ORIGINAL DESIGN:	DATE:	SIZE: A	REVISION: R00	PAGE: 1 of 3
-	-	<b>DD.E7.FR14.IP00.01</b>		

TERMINAL AND WIRING DETAILS (SCALE 1:15)



TERMINAL AND WIRE SPECIFICATIONS FOR MAIN CIRCUIT AND GROUND

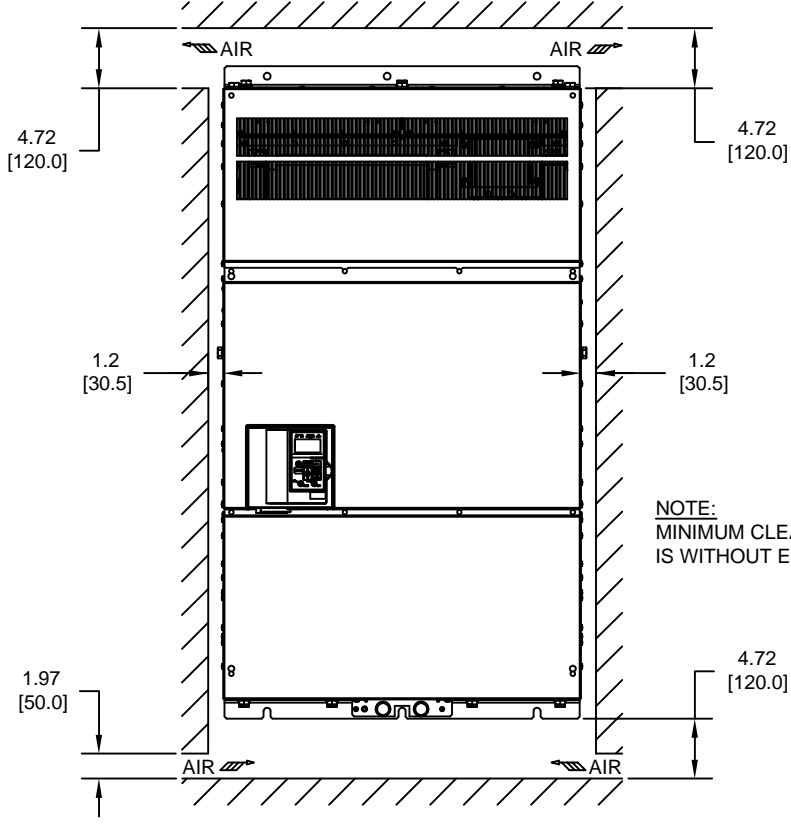
MODEL # CIMR-E7U	TERMINAL SYMBOL	TERMINAL SCREW	CLAMPING TORQUE lb.in.(N.m.)
4185	R/L1, S/L2, T/L3, ⊙, ⊕1, ⊕2, ⊕3, U/T1, V/T2, W/T3, R1/L11, S1/L21, T1/L31	M16	694 TO 867 (78.4 TO 98.0)
	r1, s200, s400, s200, s400	M4	11.4 TO 12.3 (1.3 TO 1.4)
4220	R/L1, S/L2, T/L3, ⊙, ⊕1, ⊕2, ⊕3, U/T1, V/T2, W/T3, R1/L11, S1/L21, T1/L31	M16	694 TO 867 (78.4 TO 98.0)
	r1, s200, s400, s200, s400	M4	11.4 TO 12.3 (1.3 TO 1.4)

NOTE: REFER TO APPLICABLE CODES FOR PROPER WIRE TYPE AND SIZE

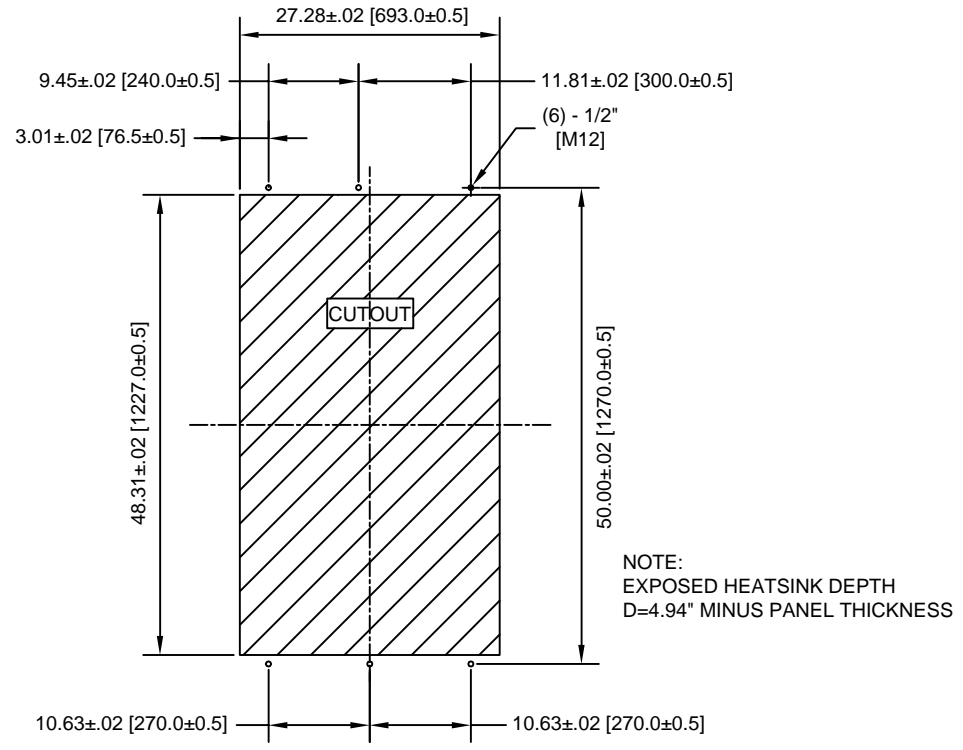
FOR ADDITIONAL DETAILS AND SPECIFICATIONS, CONSULT MANUAL

TOLERANCES/REFERENCES: - - - - -	<p><b>YASKAWA</b> A World of Automation Solutions™</p> <p>YASKAWA ELECTRIC AMERICA, INC. Corporate Headquarters 2121 Norman Drive South Waukegan, IL 60085 1-800-YASKAWA http://www.yaskawa.com</p>	DRAWN: J. MATTAS DATE 5-2-05	TITLE: E7 DIMENSION DRAWING		
		CHECKED: M. RUCINSKI DATE 6-5-05	FRAME SIZE 14 IP00 ENCLOSURE		
		TECH: J. CAIRO DATE 5-4-05	E7U4185, 4220		
		APPROVED: T. SASADA DATE 6-8-05	SIZE A	REVISION R00	PAGE 2 of 3
UNITS: IN[mm]	SCALE: BY VIEW	ORIGINAL DESIGN: -	DATE -	DRAWING #: DD.E7.FR14.IP00.01	


MINIMUM INSTALLATION CLEARANCES (SCALE 1:15)



PANEL CUTOUT FOR EXTERNAL HEATSINK MOUNTING CONFIGURATION (SCALE 1:20)



FOR ADDITIONAL DETAILS AND SPECIFICATIONS, CONSULT MANUAL

TOLERANCES/REFERENCES: - - - - - -	 <b>YASKAWA</b> <i>A World of Automation Solutions™</i> <b>YASKAWA ELECTRIC AMERICA, INC.</b> Corporate Headquarters 2121 Norman Drive South Waukegan, IL 60085 1-800-YASKAWA <a href="http://www.yaskawa.com">http://www.yaskawa.com</a>	DRAWN: J. MATTAS	DATE 5-2-05	TITLE: E7 DIMENSION DRAWING		
		CHECKED: M. RUCINSKI	DATE 6-5-05	FRAME SIZE 14		
		TECH: J. CAIRO	DATE 5-4-05	IP00 ENCLOSURE		
		APPROVED: T. SASADA	DATE 6-8-05	E7U4185, 4220		
UNITS: IN[mm]	SCALE: BY VIEW	ORIGINAL DESIGN: -	DATE -	SIZE A	REVISION R00	PAGE 3 of 3
				DRAWING #: <b>DD.E7.FR14.IP00.01</b>		