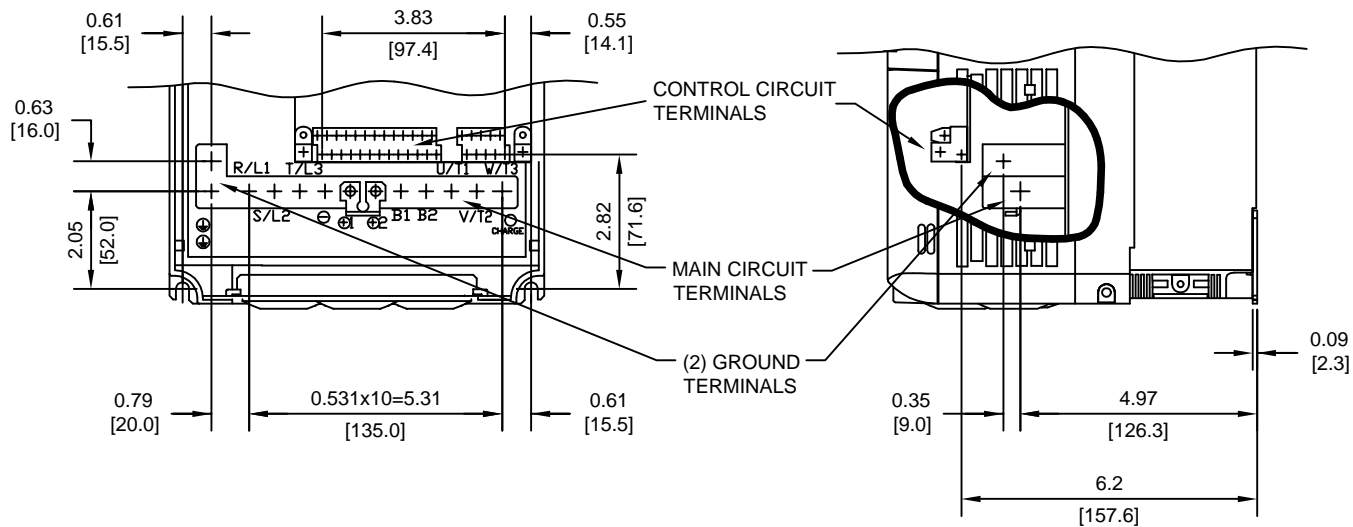


TERMINAL AND WIRING DETAILS (SCALE 1:4)



TERMINAL AND WIRE SPECIFICATIONS FOR
MAIN CIRCUIT AND GROUND

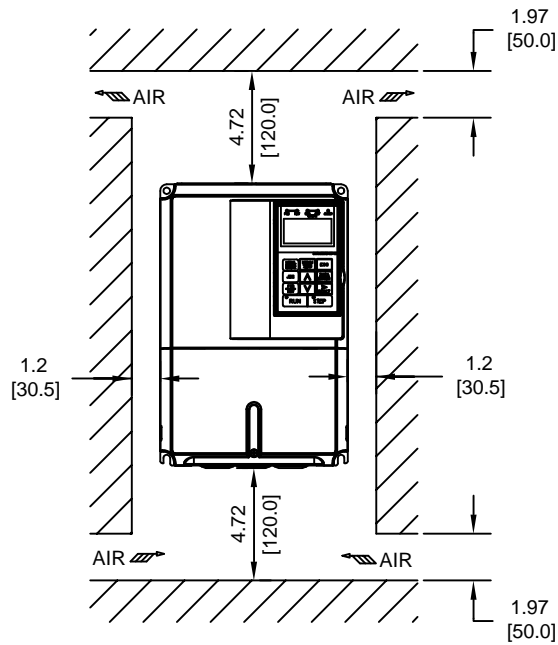
MODEL # CIMR-F7U	TERMINAL SYMBOL	TERMINAL SCREW	CLAMPING TORQUE lb.in.(N.m.)	WIRE RANGE AWG(mm ²)
27P5	R/L1, S/L2, T/L3, ⊖, ⊕1, ⊕2, B1, B2, U/T1, V/T2, W/T3, ⊕	M5	20.4 TO 22.1 (2.3 TO 2.5)	10-6 (5.5-14)
47P5	R/L1, S/L2, T/L3, ⊖, ⊕1, ⊕2, B1, B2, U/T1, V/T2, W/T3	M4	12.1 TO 15.6 (1.4 TO 1.8)	10-6 (5.5-14)
	⊕			12-10 (3.5-5.5)
4011	R/L1, S/L2, T/L3, ⊖, ⊕1, ⊕2, B1, B2, U/T1, V/T2, W/T3, ⊕	M5	20.4 TO 22.1 (2.3 TO 2.5)	10-6 (5.5-14)

NOTE: REFER TO APPLICABLE CODES FOR PROPER WIRE TYPE AND SIZE

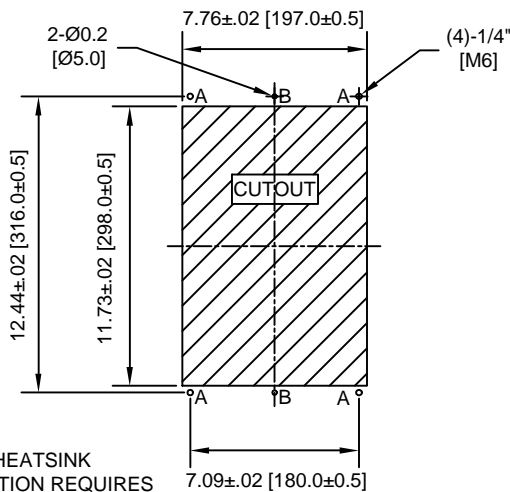
FOR ADDITIONAL DETAILS AND SPECIFICATIONS, CONSULT MANUAL

TOLERANCES/REFERENCES: - - - - - -	<p>YASKAWA A World of Automation Solutions™</p> <p>YASKAWA ELECTRIC AMERICA, INC. Corporate Headquarters 2121 Norman Drive South Waukegan, IL 60085 1-800-YASKAWA http://www.yaskawa.com</p>	DRAWN: J. MATTAS	DATE: 4-23-03	TITLE: F7 DIMENSION DRAWING		
		CHECKED: M. RUCINSKI	DATE: 5-13-03	FRAME SIZE 3A		
		TECH: J. CAIRO	DATE: 4-29-03	NEMA TYPE 1/IP20 AND IP00		
		APPROVED: T. SASADA	DATE: 5-13-03	F7U27P5, 47P5 TO 4011		
UNITS: IN[mm]	SCALE: BY VIEW	ORIGINAL DESIGN: -	DATE: -	SIZE: A	REVISION: R01	PAGE: 2 of 3
			DRAWING #: DD.F7.FR3A.N1.01			

MINIMUM INSTALLATION CLEARANCES (SCALE 1:8)



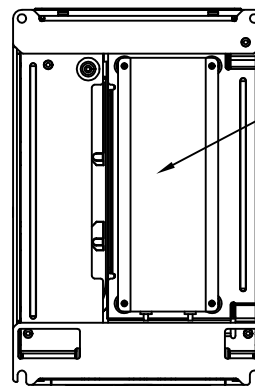
PANEL CUTOUT FOR EXTERNAL HEATSINK MOUNTING CONFIGURATION (SCALE 1:8)



NOTES:

1. EXTERNAL HEATSINK CONFIGURATION REQUIRES MOUNTING KIT
2. EXPOSED HEATSINK DEPTH D=2.58" MINUS PANEL THICKNESS

SIMPLIFIED REAR VIEW (SCALE 1:6)



FOR ADDITIONAL DETAILS AND SPECIFICATIONS, CONSULT MANUAL

TOLERANCES/REFERENCES: - - - - - -	 YASKAWA <i>A World of Automation Solutions™</i> YASKAWA ELECTRIC AMERICA, INC. Corporate Headquarters 2121 Norman Drive South Waukegan, IL 60085 1-800-YASKAWA http://www.yaskawa.com	DRAWN: J. MATTAS	DATE: 4-23-03	TITLE: F7 DIMENSION DRAWING		
		CHECKED: M. RUCINSKI	DATE: 5-13-03	FRAME SIZE 3A		
		TECH: J. CAIRO	DATE: 4-29-03	NEMA TYPE 1/IP20 AND IP00		
		APPROVED: T. SASADA	DATE: 5-13-03	F7U27P5, 47P5 TO 4011		
UNITS: IN[mm]	SCALE: BY VIEW	ORIGINAL DESIGN: -	DATE: -	SIZE A	REVISION R01	PAGE 3 of 3
				DRAWING #: DD.F7.FR3A.N1.01		