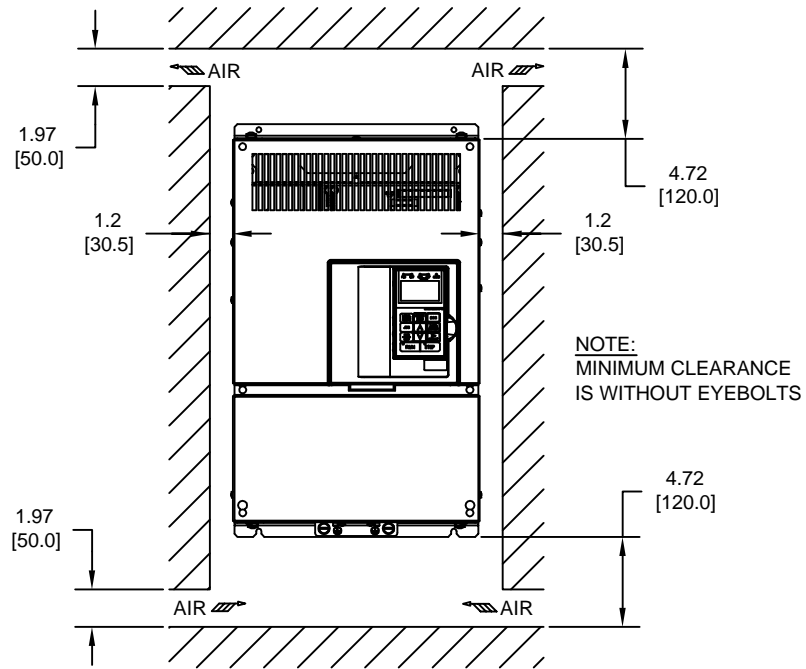
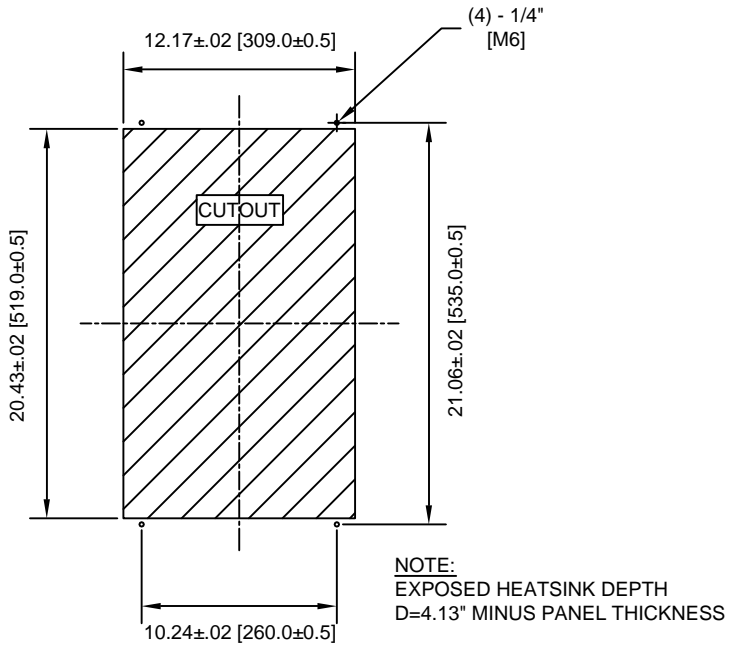


MINIMUM INSTALLATION CLEARANCES (SCALE 1:10)



PANEL CUTOUT FOR EXTERNAL HEATSINK MOUNTING CONFIGURATION (SCALE 1:10)



FOR ADDITIONAL DETAILS AND SPECIFICATIONS, CONSULT MANUAL

TOLERANCES/REFERENCES: -		<p>YASKAWA A World of Automation Solutions™</p> <p>YASKAWA ELECTRIC AMERICA, INC. Corporate Headquarters 2121 Norman Drive South Waukegan, IL 60085 1-800-YASKAWA http://www.yaskawa.com</p>	DRAWN: J. MATTAS	DATE 6-11-03	TITLE: F7 DIMENSION DRAWING		
UNITS: IN[mm]	SCALE: BY VIEW		CHECKED: M. RUCINSKI	DATE 7-15-03	FRAME SIZE 9		
		TECH: J. CAIRO	DATE 6-30-03	IP00 ENCLOSURE			
		APPROVED: T. SASADA	DATE 7-15-03	SIZE A	REVISION A	PAGE 3 of 3	
		ORIGINAL DESIGN: -	DATE -	DRAWING #: DD.F7.FR9.IP00.01			