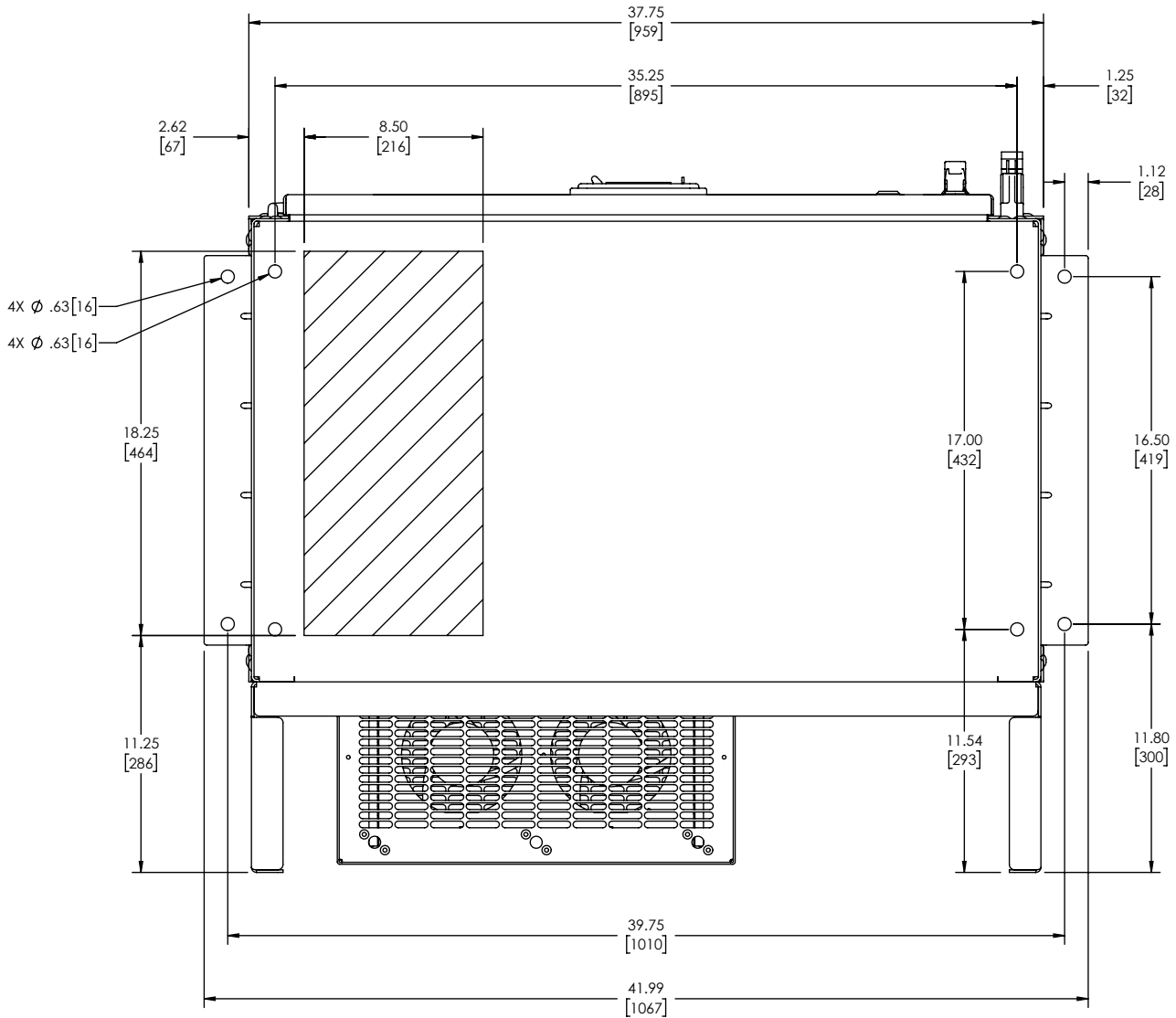



SEE PAGE 2 FOR BOTTOM VIEW

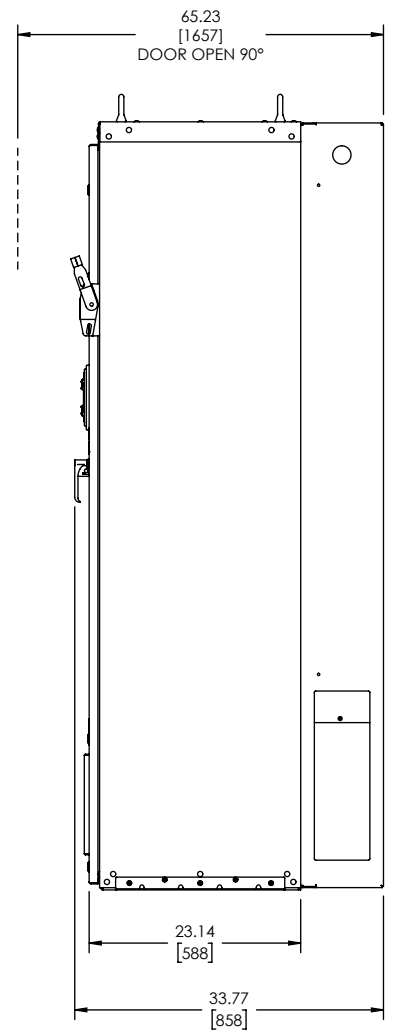
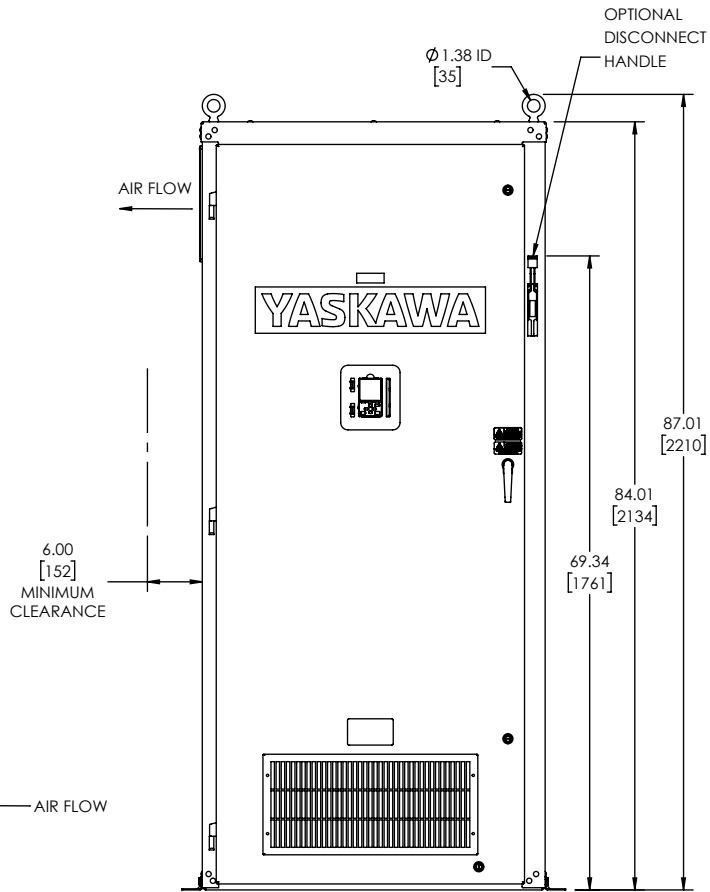
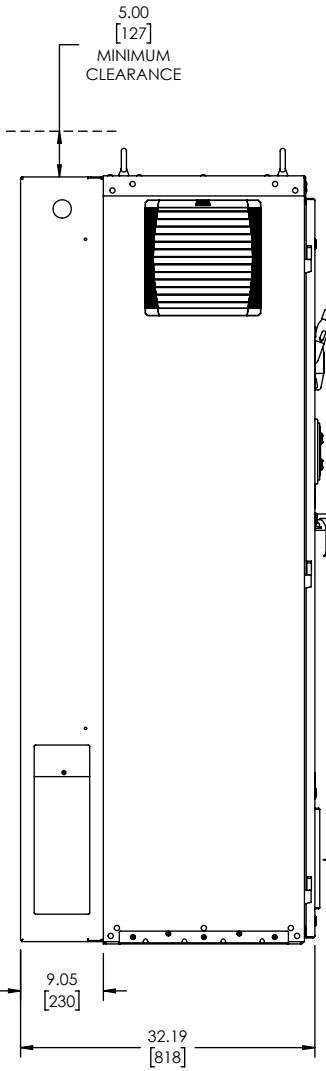
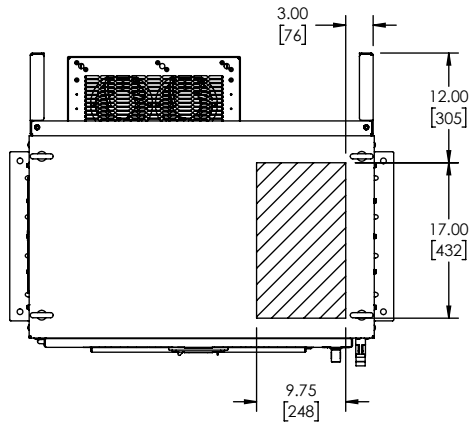
NOTES:

- A. FOR REFERENCE UNLESS PROPERLY ENDORSED. FOR ADDITIONAL DETAILS AND SPECIFICATIONS, CONSULT YASKAWA AMERICA, INC.
- B. DIMENSIONS ARE IN INCHES[MILLIMETERS].
- C. USE APPROPRIATE TYPE RATED HUBS OR FITTINGS TO MAINTAIN ENCLOSURE RATING.
- D. HATCHED AREA INDICATES PERMISSIBLE CONDUIT ENTRANCE AREA.
- E. FANS, FILTERS AND/OR CLOSING PLATES ARE SUPPLIED AS NEEDED PER OPTION SELECTIONS.


<b>YASKAWA</b>	ORIGINAL DESIGN: P. Johnson	DATE: 01/17/2024	TITLE: <b>DIMENSION DRAWING, GA800, F1, TYPE 1</b>		
	DRAWN: P. Johnson	DATE: 01/17/2024			
THIS DOCUMENT AND INFORMATION CONTAINED IN IT ARE CONFIDENTIAL AND CANNOT BE COPIED OR DISCLOSED IN WHOLE OR IN PART WITHOUT THE EXPRESS WRITTEN CONSENT OF YASKAWA AMERICA, INC.	CHECKED: D. Guckenberger	DATE: 01/17/2024	SIZE: B	REVISION: 01	PAGE: 1 OF 3
	APPROVED: R. Jensen	DATE: 01/17/2024	DRAWING #:		
UNITS: INCHES	SCALE: NONE	<b>DD.G.1.F1.01</b>			



	ORIGINAL DESIGN: P. Johnson	DATE: 01/17/2024	TITLE: <b>DIMENSION DRAWING, GA800, F1, TYPE 1</b>		
	DRAWN: P. Johnson	DATE: 01/17/2024			
<small>THIS DOCUMENT AND INFORMATION CONTAINED IN IT ARE CONFIDENTIAL AND CANNOT BE COPIED OR DISCLOSED IN WHOLE OR IN PART WITHOUT THE EXPRESS WRITTEN CONSENT OF YASKAWA AMERICA INC.</small>	CHECKED: D. Guckenberger	DATE: 01/17/2024	SIZE: B	REVISION: 01	PAGE: 2 OF 3
	UNITS: INCHES	SCALE: NONE	APPROVED: R. Jensen	DATE: 01/17/2024	DRAWING #: <b>DD.G.1.F1.01</b>



SEE PAGE 2 FOR BOTTOM VIEW

	ORIGINAL DESIGN: P. Johnson	DATE: 01/17/2024	<b>TITLE:</b> <b>DIMENSION DRAWING,</b> <b>GA800, F1, TYPE 1</b>		
	DRAWN: P. Johnson	DATE: 01/17/2024			
<small>THIS DOCUMENT AND INFORMATION CONTAINED IN IT ARE          CONFIDENTIAL AND CANNOT BE COPIED OR DISCLOSED          IN WHOLE OR IN PART WITHOUT THE EXPRESS WRITTEN          CONSENT OF YASKAWA AMERICA INC.</small>	CHECKED: D. Guckenberger	DATE: 01/17/2024	SIZE: B	REVISION: 01	PAGE: 3 OF 3
	APPROVED: R. Jensen	DATE: 01/17/2024	DRAWING #:		
UNITS: INCHES	SCALE: NONE	DD.G.1.F1.01			