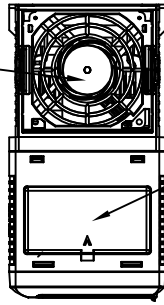
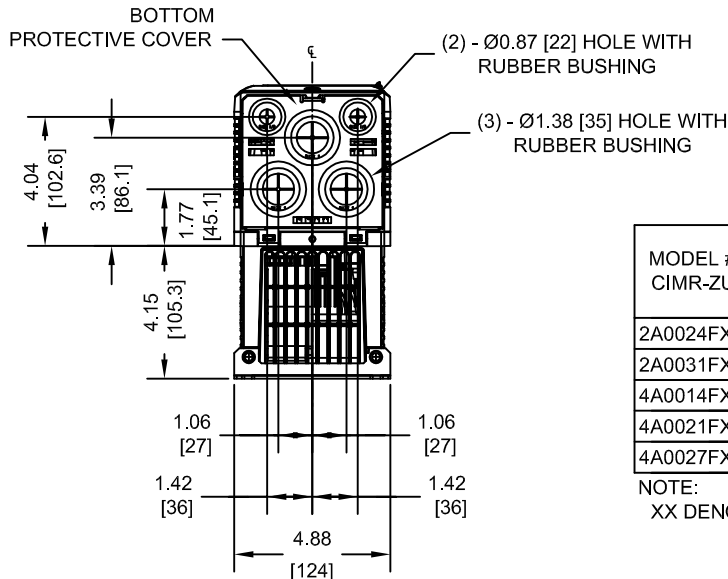
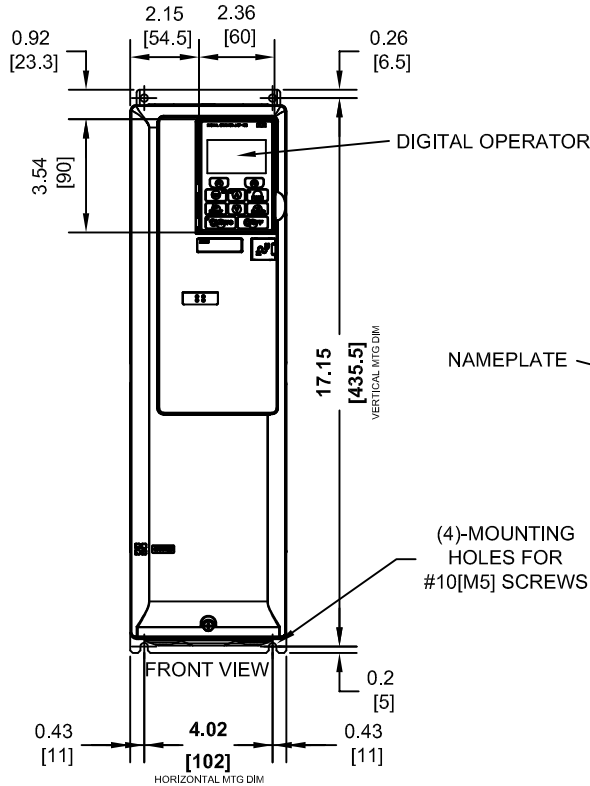


EXTERNAL COOLING FAN



TOP PROTECTIVE COVER

NOTE:
PROTECTIVE COVERS ARE FACTORY INSTALLED TO THE TOP AND BOTTOM OF THE DRIVE TO MEET IP20 & NEMA TYPE 1 REQUIREMENTS, RESULTING IN AN AMBIENT TEMPERATURE RATING OF 104F(40C). REMOVE THESE COVERS WHEN OPERATING THE DRIVE WITHIN A PANEL TO OBTAIN THE MAXIMUM SURROUNDING AIR TEMPERATURE RATING OF 122F(50C). REMOVING THESE COVERS RESULTS IN AN ENCLOSURE RATING OF IP00.



MODEL # CIMR-ZU	VOLTAGE THREE-PHASE (VAC)	OUTPUT CURRENT (A)	WEIGHT LBS (Kg)	HEAT LOSS (W) (Fc=5kHz)		
				INT	EXT	TOT
2A0024FXX	200/240	24.2	16.3 (7.4)	55	280	335
2A0031FXX		30.8	17.2 (7.8)	73	378	451
4A0014FXX	380/480	14.0	16.1 (7.3)	52	231	283
4A0021FXX		21.0	16.7 (7.6)	69	306	375
4A0027FXX		27.0	18.5 (8.4)	85	390	475

NOTE:
XX DENOTES AA-ZZ

INT=INTERNAL COMPONENTS
EXT=EXTERNAL HEATSINK
TOT=TOTAL

FOR ADDITIONAL DETAILS AND SPECIFICATIONS, CONSULT MANUAL

TOLERANCES / REFERENCES:



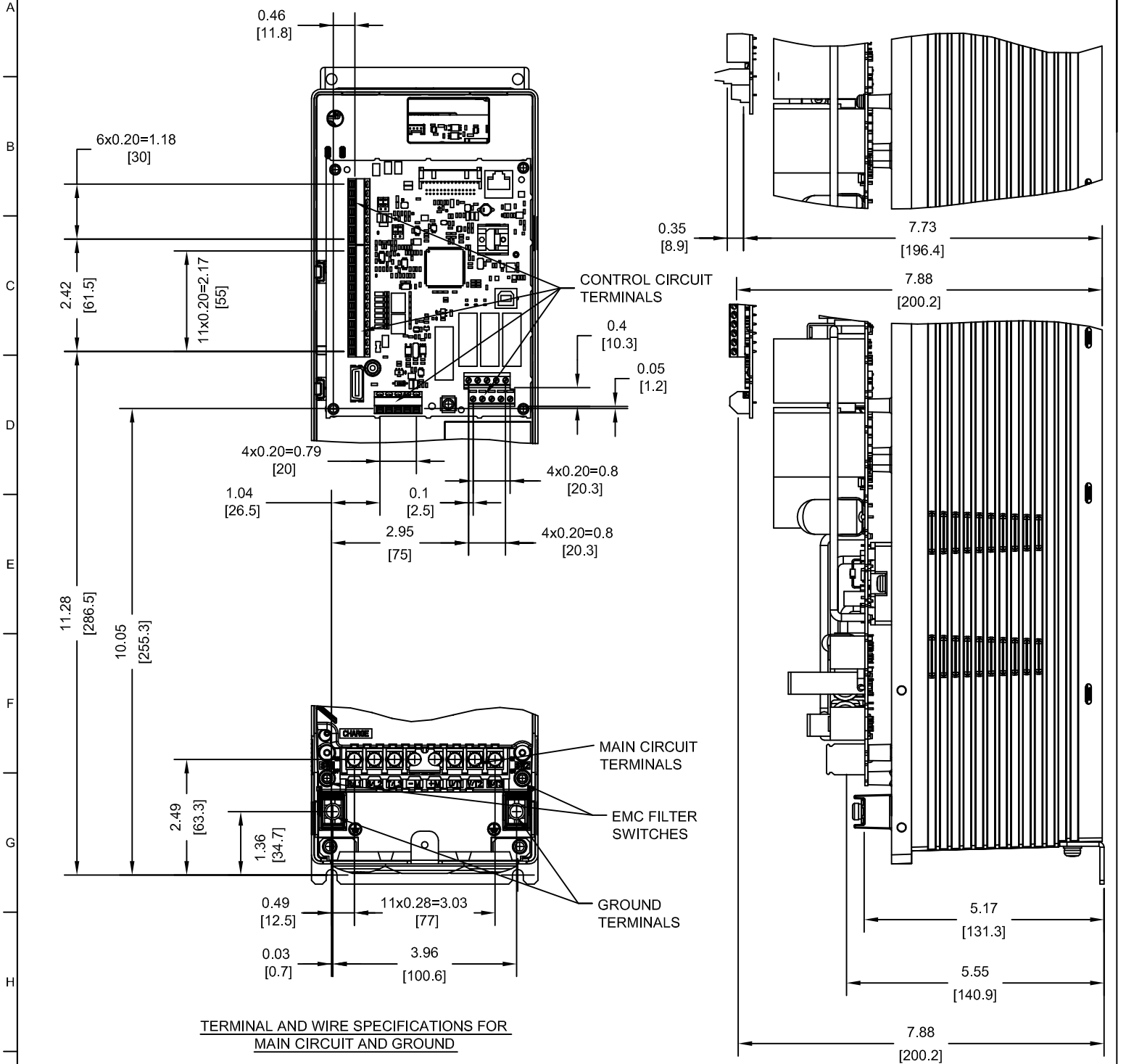
THIS DOCUMENT AND INFORMATION CONTAINED IN IT ARE CONFIDENTIAL, AND CANNOT BE COPIED OR DISCLOSED IN WHOLE OR IN PART WITHOUT THE EXPRESS WRITTEN CONSENT OF YASKAWA AMERICA, INC.

DRAWN: J. MATTAS	DATE 8-23-11	TITLE: Z1000 DIMENSION DRAWING
CHECKED: J. PIOTROWSKI	DATE 10-21-11	FRAME SIZE 2
TECH: J. BORJA	DATE 9-22-11	NEMA TYPE 1 ENCLOSURE
APPROVED: J. CAIRO	DATE 10-17-11	2A0024 - 0031, 4A0014 - 0027
ORIGINAL DESIGN: -	DATE -	SIZE A
		REVISION R00
		PAGE 1 of 3
		DRAWING #: DD.Z1K.FR2.N1

UNITS:
IN [mm]

SCALE:
1:6

TERMINAL AND WIRING DETAILS (SCALE 1:3)



TERMINAL AND WIRE SPECIFICATIONS FOR MAIN CIRCUIT AND GROUND

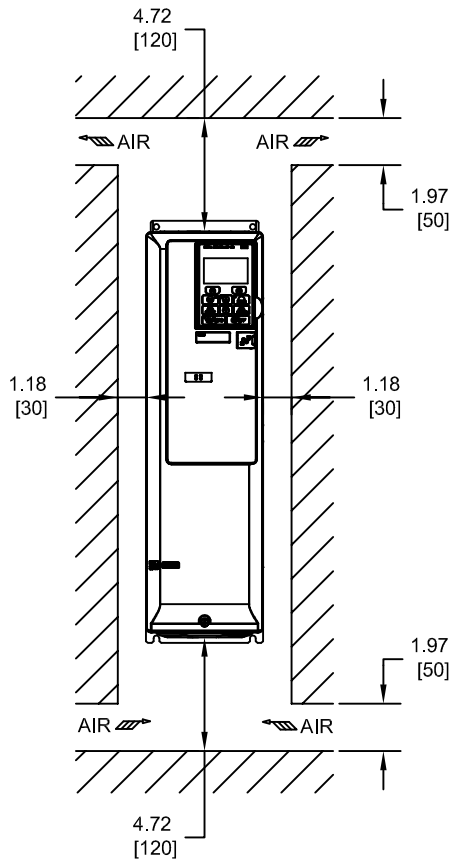
MODEL # CIMR-ZU	TERMINAL SYMBOL	TERMINAL SCREW	CLAMPING TORQUE lb.in.(N.m.)	WIRE RANGE AWG(mm ²)
2A0024 2A0031 4A0014	R/L1, S/L2, T/L3, U/T1, V/T2, W/T3, -M, +M	M4	14 TO 16 (1.6 TO 1.8)	24-8 (0.25-10)
4A0021 4A0027	⊕	M5	24 TO 27 (2.7 TO 3.0)	

NOTE: REFER TO APPLICABLE CODES FOR PROPER WIRE TYPE AND SIZE

FOR ADDITIONAL DETAILS AND SPECIFICATIONS, CONSULT MANUAL

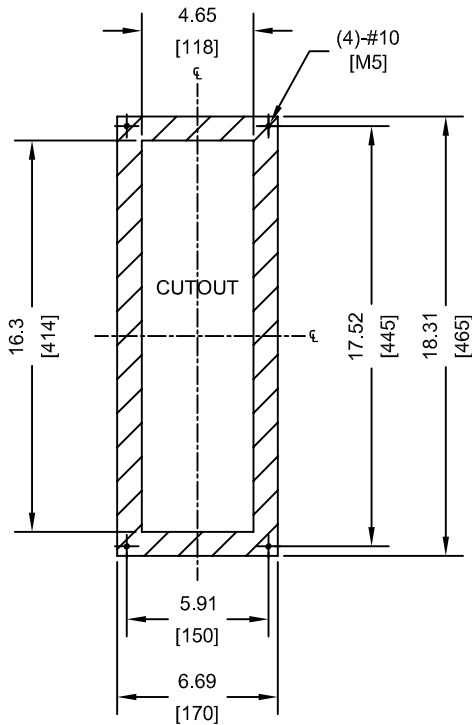
TOLERANCES / REFERENCES:		YASKAWA		DRAWN: J. MATTAS DATE: 8-23-11	TITLE: Z1000 DIMENSION DRAWING FRAME SIZE 2 NEMA TYPE 1 ENCLOSURE 2A0024 - 0031, 4A0014 - 0027		
THIS DOCUMENT AND INFORMATION CONTAINED IN IT ARE CONFIDENTIAL, AND CANNOT BE COPIED OR DISCLOSED IN WHOLE OR IN PART WITHOUT THE EXPRESS WRITTEN CONSENT OF YASKAWA AMERICA, INC.		CHECKED: J. PIOTROWSKI DATE: 10-21-11		DATE: 9-22-11			
		TECH: J. BORJA APPROVED: J. CAIRO		DATE: 10-17-11			
UNITS: IN [mm]	SCALE: BY VIEW	ORIGINAL DESIGN: -		DATE: -	SIZE: A	REVISION: R00	PAGE: 2 of 3
				DRAWING #: DD.Z1K.FR2.N1			

MINIMUM INSTALLATION CLEARANCES (SCALE 1:8)



NOTE:
FOR SIDE-BY-SIDE MOUNTING
CONSULT MANUAL

PANEL CUTOUT FOR EXTERNAL HEATSINK
MOUNTING CONFIGURATION (SCALE 1:8)



NOTES:

1. EXTERNAL HEATSINK CONFIGURATION REQUIRES MOUNTING KIT
2. CUTOUT TOLERANCES: +/- 0.02IN (0.5MM)
3. EXPOSED HEATSINK DEPTH D=4.15" MINUS PANEL THICKNESS

FOR ADDITIONAL DETAILS AND SPECIFICATIONS, CONSULT MANUAL

TOLERANCES / REFERENCES:			DRAWN: J. MATTAS 8-23-11	TITLE: Z1000 DIMENSION DRAWING	
			CHECKED: J. PIOTROWSKI 10-21-11	FRAME SIZE 2 NEMA TYPE 1 ENCLOSURE 2A0024 - 0031, 4A0014 - 0027	
		THIS DOCUMENT AND INFORMATION CONTAINED IN IT ARE CONFIDENTIAL, AND CANNOT BE COPIED OR DISCLOSED IN WHOLE OR IN PART WITHOUT THE EXPRESS WRITTEN CONSENT OF YASKAWA AMERICA, INC.	TECH: J. BORJA 9-22-11	DATE: 9-22-11	
UNITS: IN [mm]	SCALE: BY VIEW		APPROVED: J. CAIRO 10-17-11	DATE: 10-17-11	SIZE: A
		ORIGINAL DESIGN: -	DATE: -	DRAWING #: DD.Z1K.FR2.N1	
			PAGE 3 of 3		