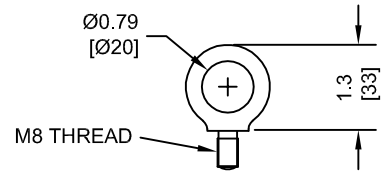


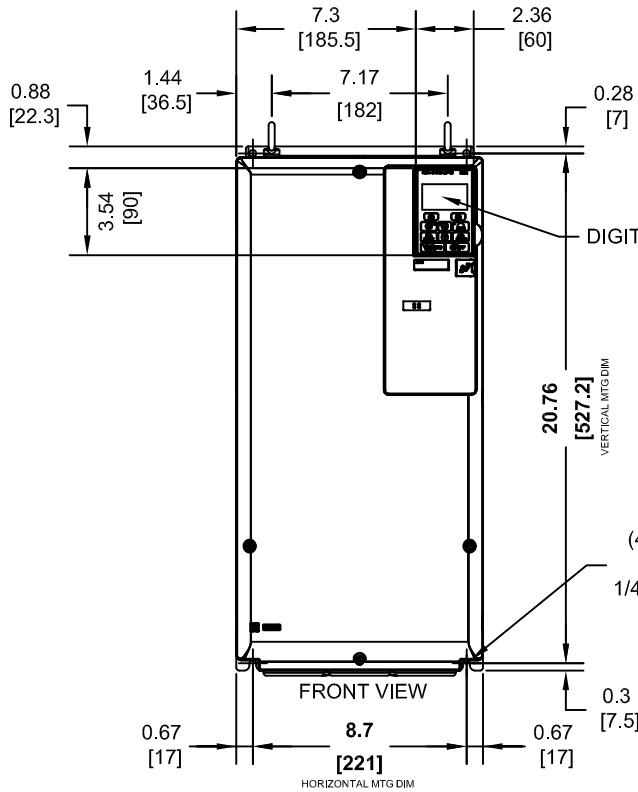
EXTERNAL COOLING FAN (2)

NOTE:
 PROTECTIVE COVERS ARE FACTORY INSTALLED TO THE TOP AND BOTTOM OF THE DRIVE TO MEET IP20 & NEMA TYPE 1 REQUIREMENTS, RESULTING IN AN AMBIENT TEMPERATURE RATING OF 104F(40C). REMOVE THESE COVERS WHEN OPERATING THE DRIVE WITHIN A PANEL TO OBTAIN THE MAXIMUM SURROUNDING AIR TEMPERATURE RATING OF 122F(50C). REMOVING THESE COVERS RESULTS IN AN ENCLOSURE RATING OF IP00.

LIFTING AND EYEBOLT DETAILS



NOTE:
 SPREADER BAR REQUIRED TO AVOID DAMAGE DURING LIFTING

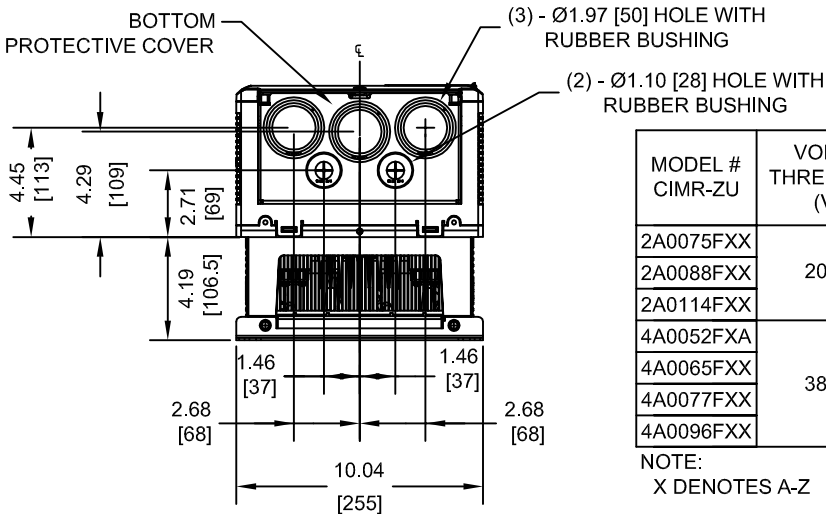
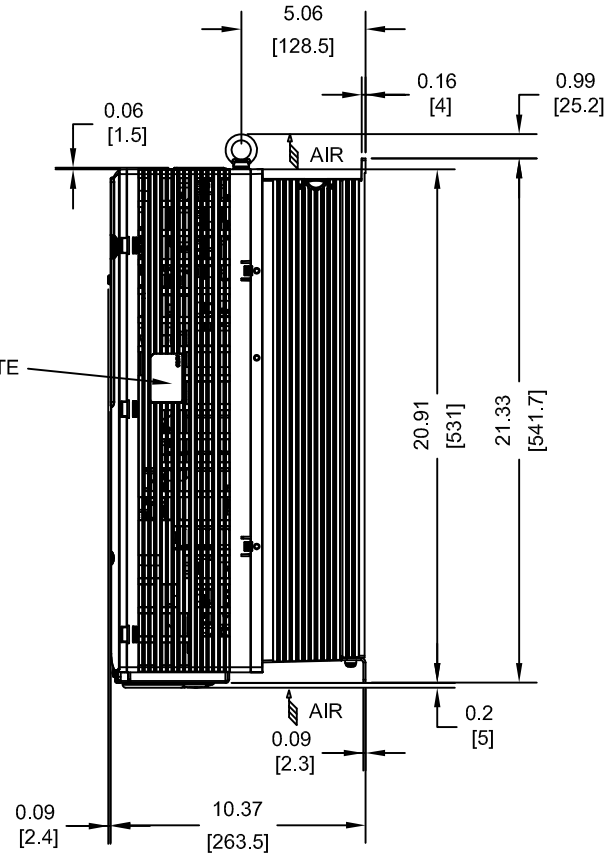


DIGITAL OPERATOR

NAMEPLATE

(4)-MOUNTING HOLES FOR 1/4" [M6] SCREWS

FRONT VIEW



(3) - Ø1.97 [50] HOLE WITH RUBBER BUSHING

(2) - Ø1.10 [28] HOLE WITH RUBBER BUSHING

MODEL # CIMR-ZU	VOLTAGE THREE-PHASE (VAC)	OUTPUT CURRENT (A)	WEIGHT LBS (Kg)	HEAT LOSS (W) (Fc=5kHz)		
				INT	EXT	TOT
2A0075FXX	200/240	74.8	59 (27)	132	557	689
2A0088FXX		88	62 (28)	157	670	827
2A0114FXX		114	64 (29)	200	864	1064
4A0052FXA	380/480	52	59 (27)	130	463	593
4A0065FXX		65	64 (29)	161	576	737
4A0077FXX		77	68 (31)	225	891	1116
4A0096FXX		96	70 (32)	288	1131	1419

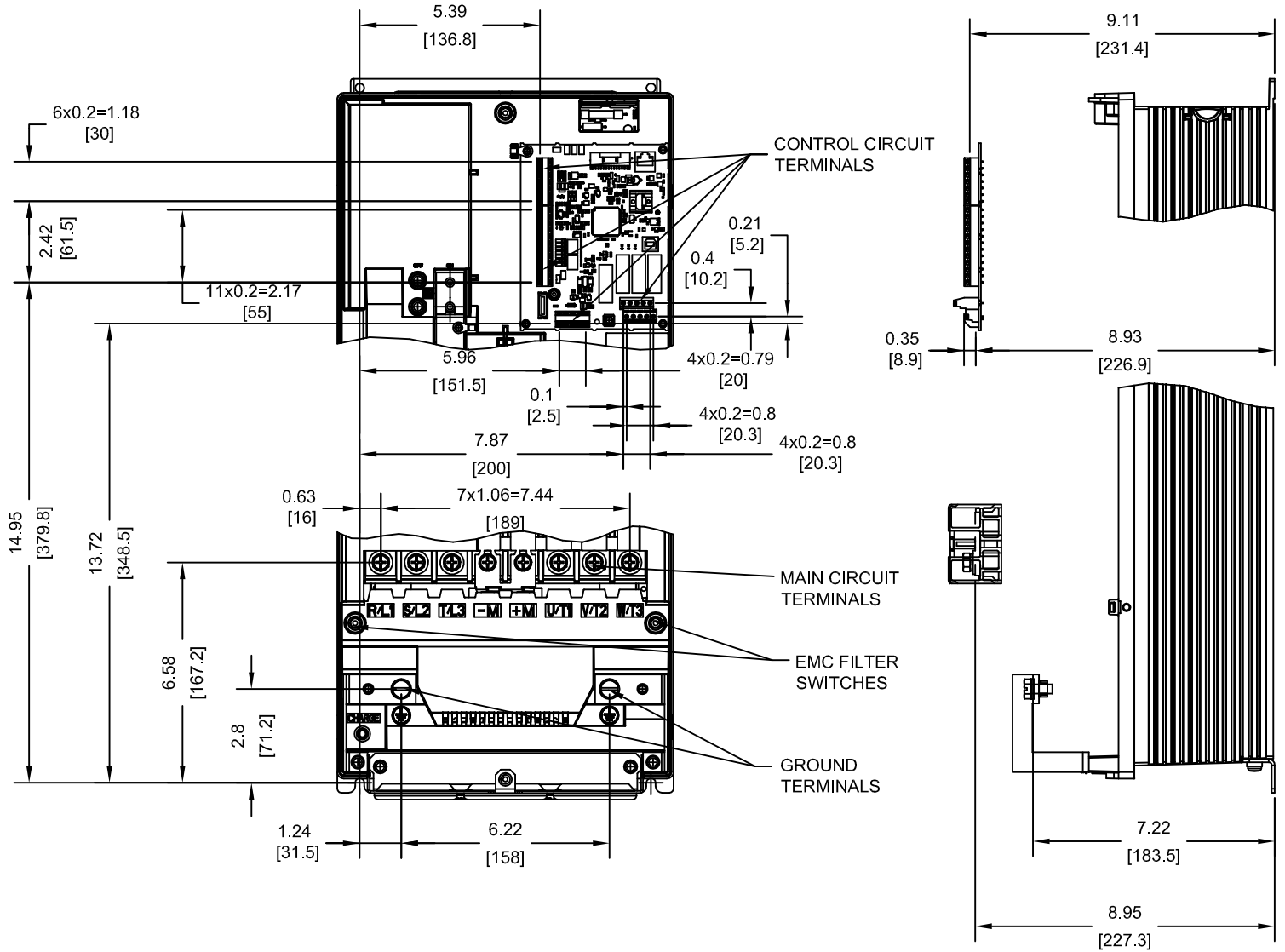
NOTE:
 X DENOTES A-Z

INT=INTERNAL COMPONENTS
 EXT=EXTERNAL HEATSINK
 TOT=TOTAL

FOR ADDITIONAL DETAILS AND SPECIFICATIONS, CONSULT MANUAL

TOLERANCES / REFERENCES:		<p>THIS DOCUMENT AND INFORMATION CONTAINED IN IT ARE CONFIDENTIAL, AND CANNOT BE COPIED OR DISCLOSED IN WHOLE OR IN PART WITHOUT THE EXPRESS WRITTEN CONSENT OF YASKAWA AMERICA, INC.</p>	DRAWN: J. MATTAS DATE: 8-23-11	TITLE: Z1000 DIMENSION DRAWING FRAME SIZE 4 NEMA TYPE 1 ENCLOSURE 2A0075 - 0114, 4A0052 - 0096			
UNITS: IN[mm]			CHECKED: J. PIOTROWSKI DATE: 10-21-11	TECH: J. BORJA DATE: 9-22-11	SIZE: A	REVISION: R02	PAGE: 1 of 3
SCALE: 1:8			APPROVED: J. CAIRO DATE: 10-17-11	ORIGINAL DESIGN: -	DRAWING #: DD.Z1K.FR4.N1		

TERMINAL AND WIRING DETAILS (SCALE 1:5)



TERMINAL AND WIRE SPECIFICATIONS FOR MAIN CIRCUIT AND GROUND

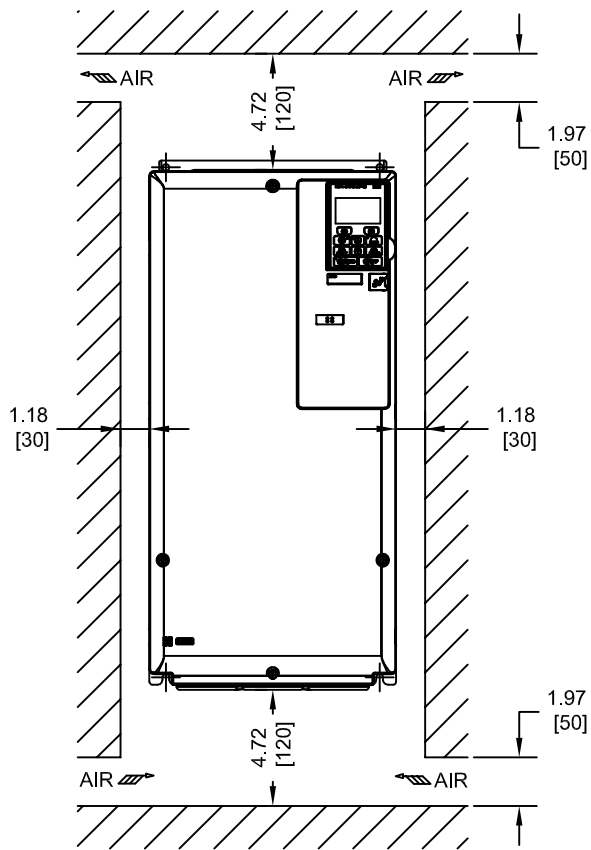
MODEL # CIMR-ZU	TERMINAL SYMBOL	TERMINAL SCREW	CLAMPING TORQUE lb.in.(N.m.)	WIRE RANGE AWG(mm ²)
2A0075 2A0088 2A0114 4A0052 4A0065 4A0077 4A0096	R/L1, S/L2, T/L3, U/T1, V/T2, W/T3, -M, +M, ⊕	M8	48 TO 53 (5.4 TO 6.0)	8-2/0 (10-70)

NOTE: REFER TO APPLICABLE CODES FOR PROPER WIRE TYPE AND SIZE

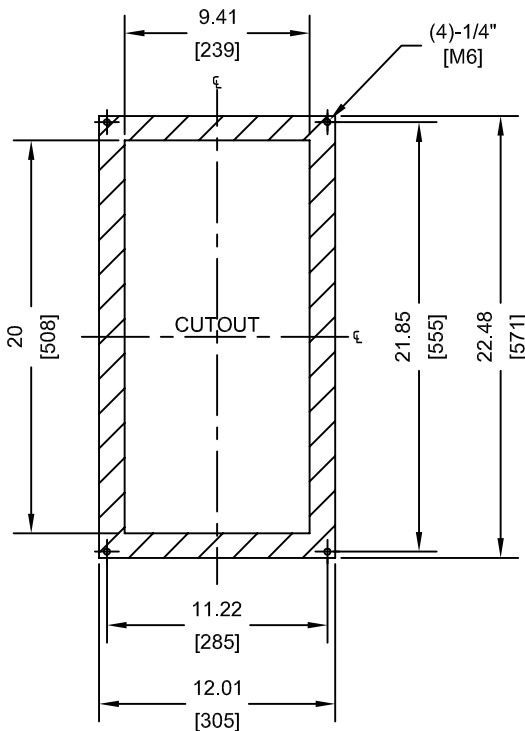
FOR ADDITIONAL DETAILS AND SPECIFICATIONS, CONSULT MANUAL

TOLERANCES / REFERENCES:			DRAWN: J. MATTAS DATE 8-23-11	TITLE: Z1000 DIMENSION DRAWING FRAME SIZE 4 NEMA TYPE 1 ENCLOSURE 2A0075 - 0114, 4A0052 - 0096
UNITS: IN[mm]	SCALE: BY VIEW		CHECKED: J. PIOTROWSKI DATE 10-21-11	DATE 8-23-11
		THIS DOCUMENT AND INFORMATION CONTAINED IN IT ARE CONFIDENTIAL, AND CANNOT BE COPIED OR DISCLOSED IN WHOLE OR IN PART WITHOUT THE EXPRESS WRITTEN CONSENT OF YASKAWA AMERICA, INC.	TECH: J. BORJA DATE 9-22-11	SIZE A
			APPROVED: J. CAIRO DATE 10-17-11	REVISION R02
		ORIGINAL DESIGN: -	DATE -	DRAWING #: DD.Z1K.FR4.N1

MINIMUM INSTALLATION CLEARANCES (SCALE 1:8)



PANEL CUTOUT FOR EXTERNAL HEATSINK MOUNTING CONFIGURATION (SCALE 1:10)



NOTES:

1. EXTERNAL HEATSINK CONFIGURATION REQUIRES MOUNTING KIT
2. CUTOUT TOLERANCES: +/- 0.02IN (0.5MM)
3. EXPOSED HEATSINK DEPTH D=4.19" MINUS PANEL THICKNESS

FOR ADDITIONAL DETAILS AND SPECIFICATIONS, CONSULT MANUAL

TOLERANCES / REFERENCES:			DRAWN: J. MATTAS	DATE 8-23-11	TITLE: Z1000 DIMENSION DRAWING FRAME SIZE 4 NEMA TYPE 1 ENCLOSURE 2A0075 - 0114, 4A0052 - 0096
			CHECKED: J. PIOTROWSKI	DATE 10-21-11	
		THIS DOCUMENT AND INFORMATION CONTAINED IN IT ARE CONFIDENTIAL, AND CANNOT BE COPIED OR DISCLOSED IN WHOLE OR IN PART WITHOUT THE EXPRESS WRITTEN CONSENT OF YASKAWA AMERICA, INC.	TECH: J. BORJA	DATE 9-22-11	SIZE A
			APPROVED: J. CAIRO	DATE 10-17-11	
UNITS: IN[mm]	SCALE: BY VIEW		ORIGINAL DESIGN: -	DATE -	PAGE 3 of 3