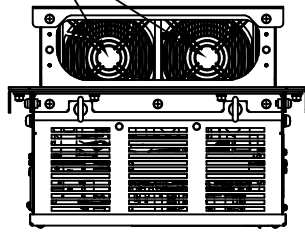
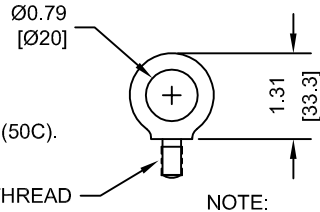


(2) EXTERNAL COOLING FANS

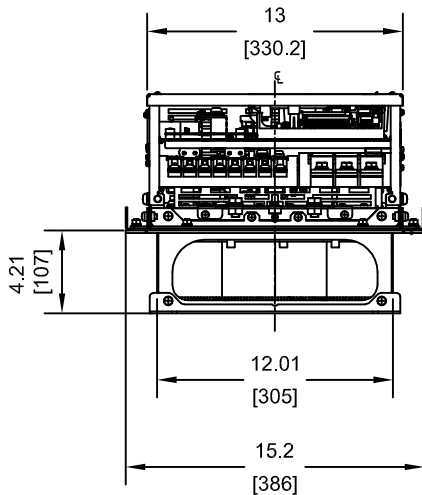
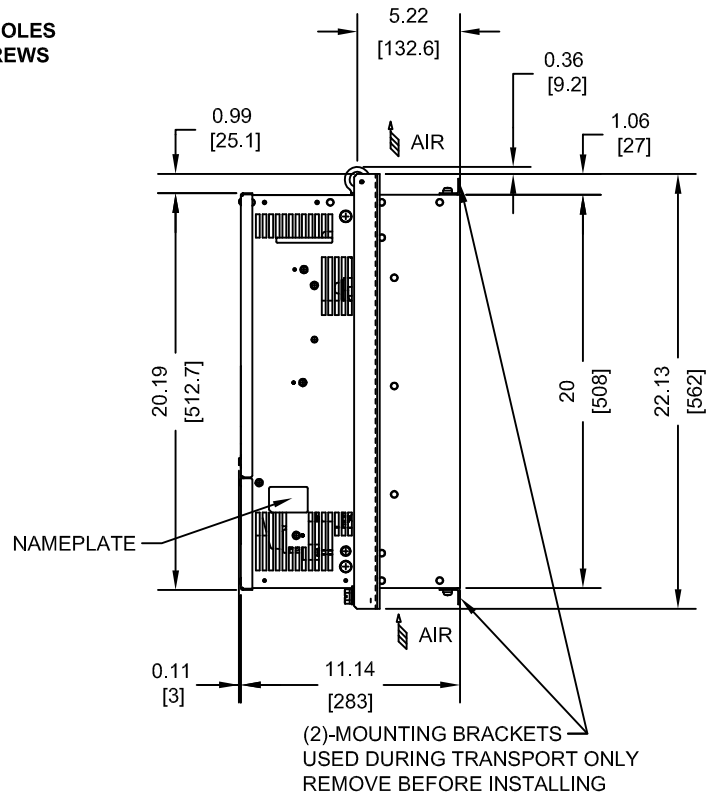
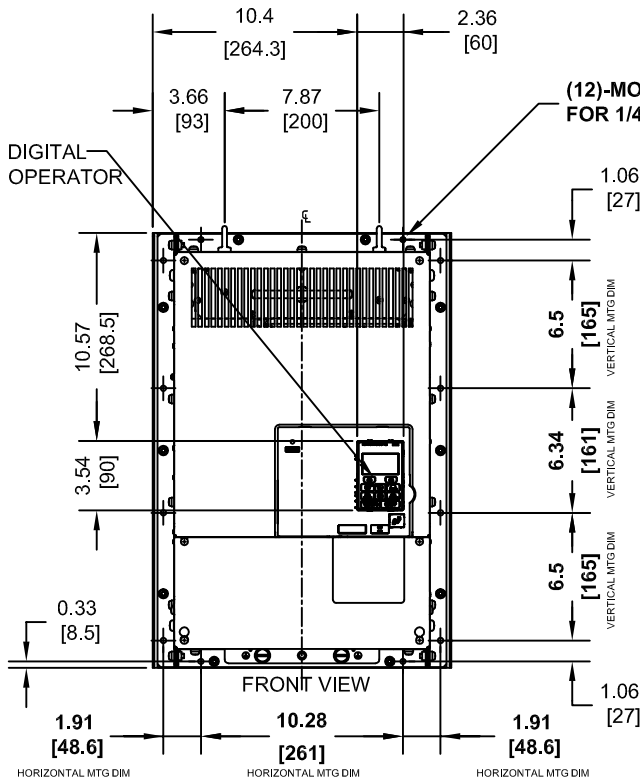


LIFTING AND EYEBOLT DETAILS



NOTE:  
MAXIMUM SURROUNDING AIR  
TEMPERATURE RATING IS 122F(50C).

NOTE:  
SPREADER BAR REQUIRED TO  
AVOID DAMAGE DURING LIFTING



MODEL # CIMR-ZU	INPUT TYPE	VOLTAGE 3-PHASE (VAC)	OUTPUT CURRENT (A)	WEIGHT LBS (Kg)	HEAT LOSS (W) (Fc=2kHz)		
					INT	EXT	TOT
4T0139UXX	12 PULSE	380/480	139	85.8 (39)	487	1179	1666
4T0165UXX			165	88.2 (40)	624	1520	2144

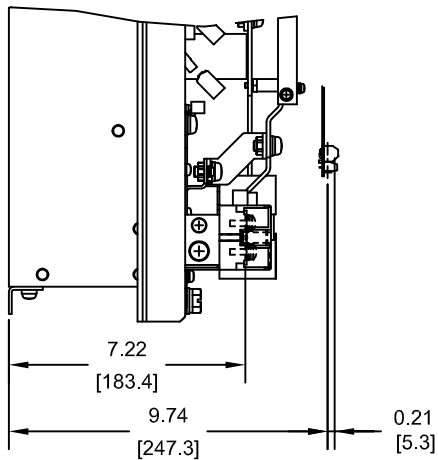
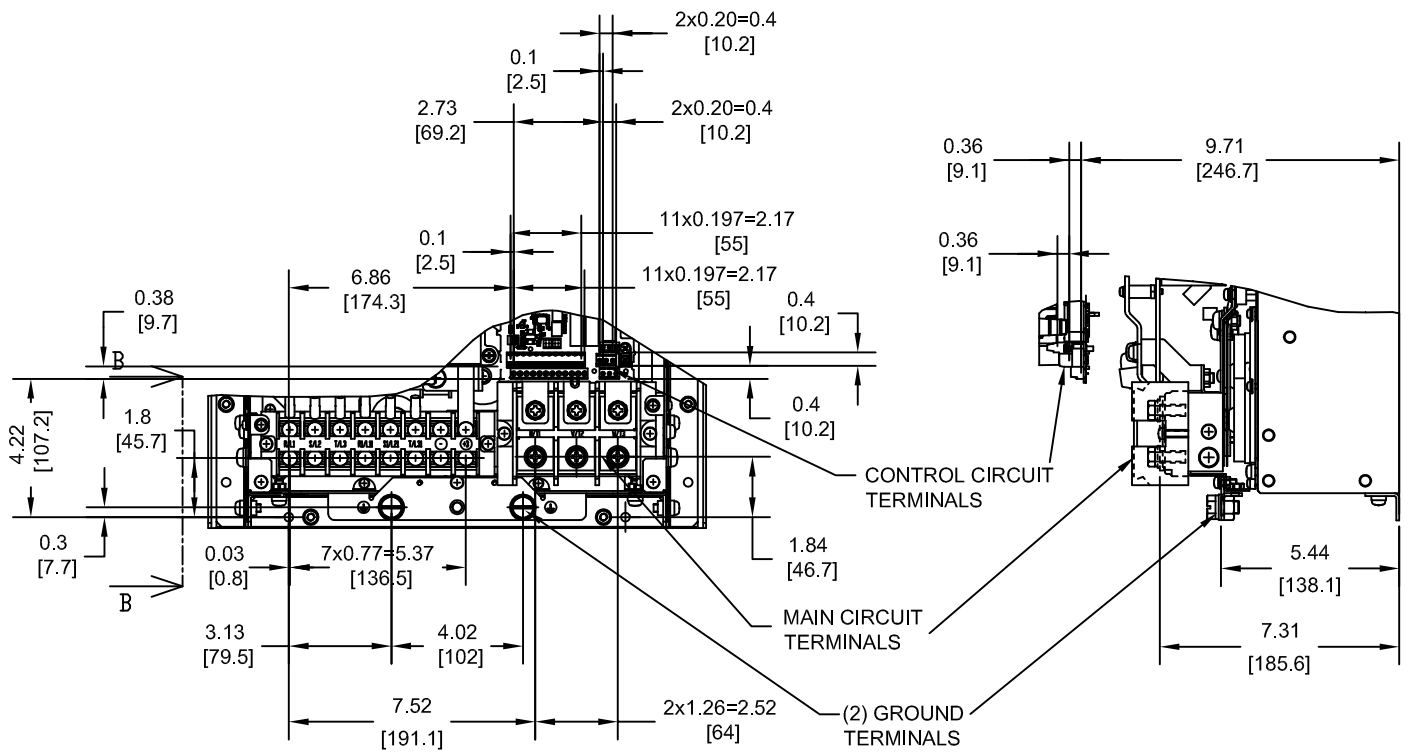
NOTE:  
XX DENOTES AA-ZZ

INT=INTERNAL COMPONENTS  
EXT=EXTERNAL HEATSINK  
TOT=TOTAL

FOR ADDITIONAL DETAILS AND SPECIFICATIONS, CONSULT MANUAL

TOLERANCES / REFERENCES:		<p>THIS DOCUMENT AND INFORMATION CONTAINED IN IT ARE CONFIDENTIAL, AND CANNOT BE COPIED OR DISCLOSED IN WHOLE OR IN PART WITHOUT THE EXPRESS WRITTEN CONSENT OF YASKAWA AMERICA, INC.</p>	DRAWN: J. MATTAS DATE: 5-29-14	TITLE: Z1000 12 PULSE DIMENSION DRAWING FRAME SIZE 10 DESIGNED FOR IP54/TYPE 12 ENCLOSURES 4T0139U & 4T0165U
UNITS: IN [mm]	SCALE: 1:10		CHECKED: J. PIOTROWSKI DATE: 6-12-14	DATE: 6-12-14
			TECH: J. BORJA DATE: 6-16-14	DATE: 6-16-14
			APPROVED: J. CAIRO DATE: 7-2-14	DATE: 7-2-14
		ORIGINAL DESIGN:	DATE:	SIZE: A      REVISION: R00      PAGE: 1 of 3 DRAWING #: <b>DD.Z1K12.FR10.FLNG</b>

TERMINAL AND WIRING DETAILS (SCALE 1:6)



SECTION B-B

TERMINAL AND WIRE SPECIFICATIONS FOR MAIN CIRCUIT AND GROUND

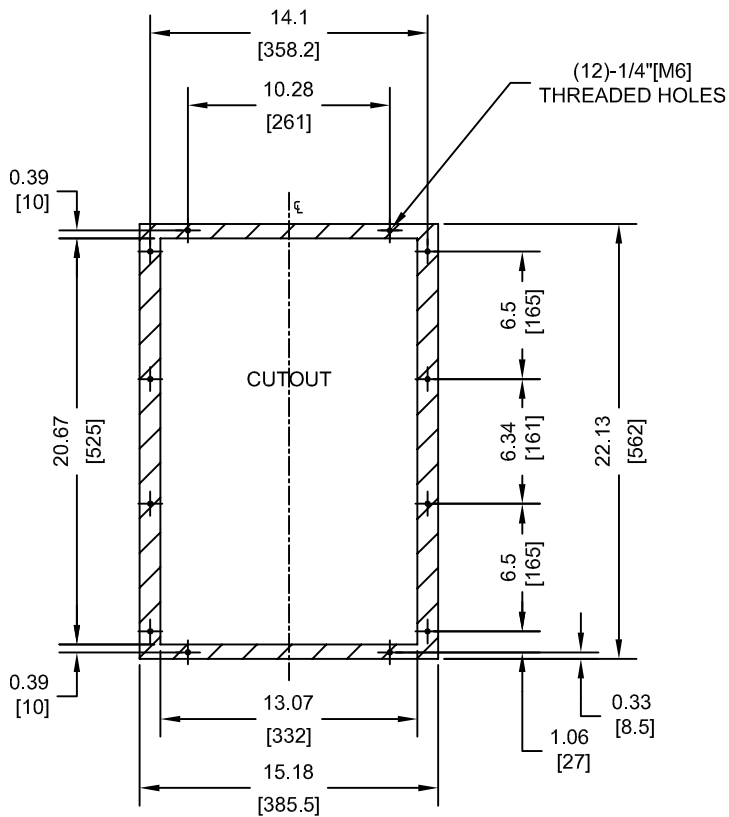
MODEL # CIMR-ZU	TERMINAL SYMBOL	TERMINAL SCREW	CLAMPING TORQUE lb.in.(N.m.)	WIRE RANGE AWG(řm)
4T0139U 4T0165U	R/L1, S/L2, T/L3	M6	22.1 TO 26.6 (2.5 TO 3.0)	22-1/0 (0.3-53.5)
	R1/L11, S1/L21, T1/L31			
	⊙, ⊕3	M8	132.8 (15.0)	6-250kcmil (13.3-127)
	⊕	M10	159.3 TO 203.6 (18 TO 23)	SEE NOTE

NOTE: REFER TO APPLICABLE CODES FOR PROPER WIRE TYPE AND SIZE

FOR ADDITIONAL DETAILS AND SPECIFICATIONS, CONSULT MANUAL

TOLERANCES / REFERENCES:			DRAWN: J. MATTAS DATE: 5-29-14	TITLE: Z1000 12 PULSE DIMENSION DRAWING FRAME SIZE 10 DESIGNED FOR IP54/TYPE 12 ENCLOSURES 4T0139U & 4T0165U
UNITS: IN [mm] SCALE: BY VIEW			CHECKED: J. PIOTROWSKI DATE: 6-12-14	TECH: J. BORJA DATE: 6-16-14
THIS DOCUMENT AND INFORMATION CONTAINED IN IT ARE CONFIDENTIAL, AND CANNOT BE COPIED OR DISCLOSED IN WHOLE OR IN PART WITHOUT THE EXPRESS WRITTEN CONSENT OF YASKAWA AMERICA, INC.		APPROVED: J. CAIRO DATE: 7-2-14	ORIGINAL DESIGN: -	DRAWING #: <b>DD.Z1K12.FR10.FLNG</b>


PANEL CUTOUT (SCALE 1:10)



NOTES:

1. CUTOUT TOLERANCES:  
+/- 0.02IN (0.5MM)
2. EXPOSED HEATSINK DEPTH  
D=4.21" MINUS PANEL THICKNESS
3. MIN. RECOMMENDED PANEL  
THICKNESS: 12 GA

FOR ADDITIONAL DETAILS AND SPECIFICATIONS, CONSULT MANUAL

TOLERANCES / REFERENCES:			DRAWN: J. MATTAS DATE: 5-29-14	TITLE: Z1000 12 PULSE DIMENSION DRAWING FRAME SIZE 10 DESIGNED FOR IP54/TYPE 12 ENCLOSURES 4T0139U & 4T0165U	
UNITS: IN [mm]			CHECKED: J. PIOTROWSKI DATE: 6-12-14	SIZE: A	REVISION: R00
SCALE: BY VIEW		THIS DOCUMENT AND INFORMATION CONTAINED IN IT ARE CONFIDENTIAL, AND CANNOT BE COPIED OR DISCLOSED IN WHOLE OR IN PART WITHOUT THE EXPRESS WRITTEN CONSENT OF YASKAWA AMERICA, INC.	TECH: J. BORJA DATE: 6-16-14	APPROVED: J. CAIRO DATE: 7-2-14	DRAWING #: DD.Z1K12.FR10.FLNG
		ORIGINAL DESIGN: -	DATE: -		