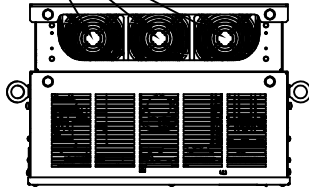
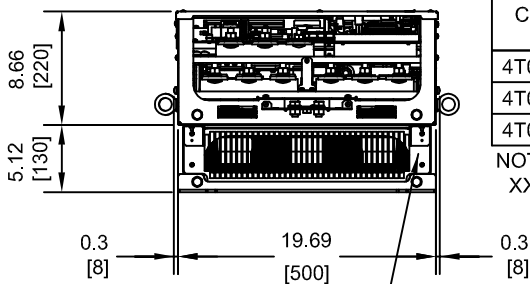
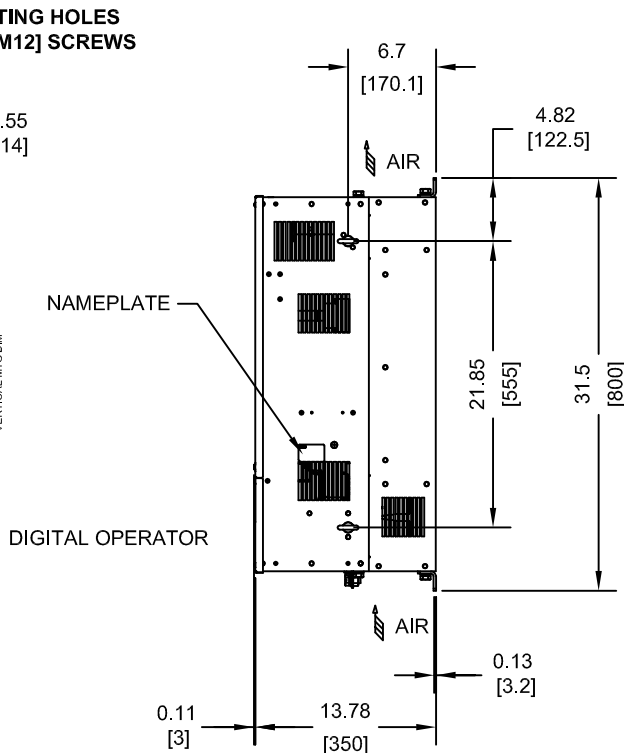
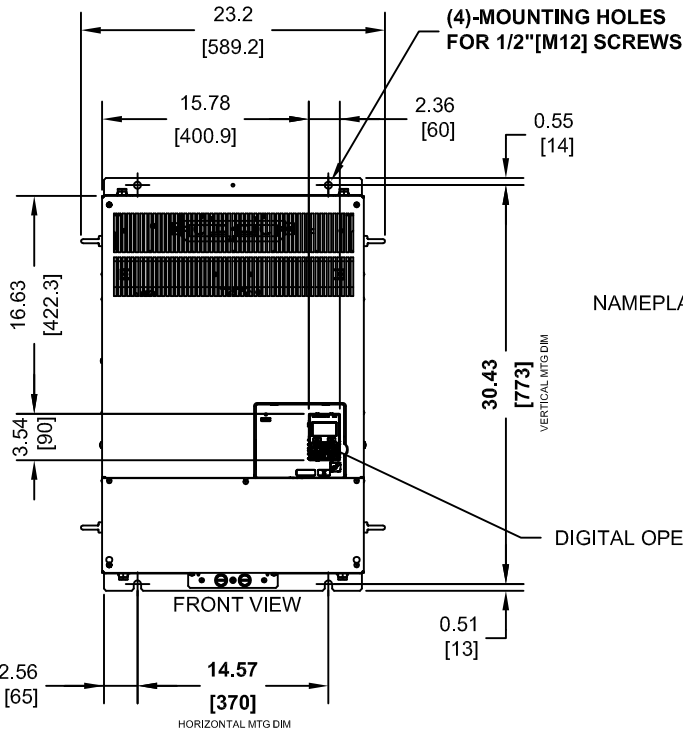
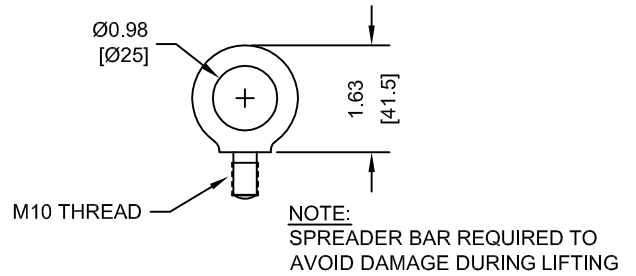


(3) EXTERNAL COOLING FANS



LIFTING AND EYEBOLT DETAILS



OPTIONAL CAPACITOR COVER
WHEN USING AN EXTERNAL MOUNT HEATSINK, UL COMPLIANCE REQUIRES COVERING EXPOSED CAPACITORS IN THE MAIN CIRCUIT TO PREVENT INJURY. CONSULT MANUAL FOR DETAILS.

MODEL # CIMR-ZU	INPUT TYPE	VOLTAGE 3-PHASE (VAC)	OUTPUT CURRENT (A)	WEIGHT LBS (Kg)	HEAT LOSS (W) (Fc=2kHz)		
					INT	EXT	TOT
4T0250AXX	12 PULSE	380/480	250	203 (92)	729	2305	3034
4T0296AXX			296	203 (92)	772	2308	3080
4T0362AXX			362	208 (95)	874	3168	4042

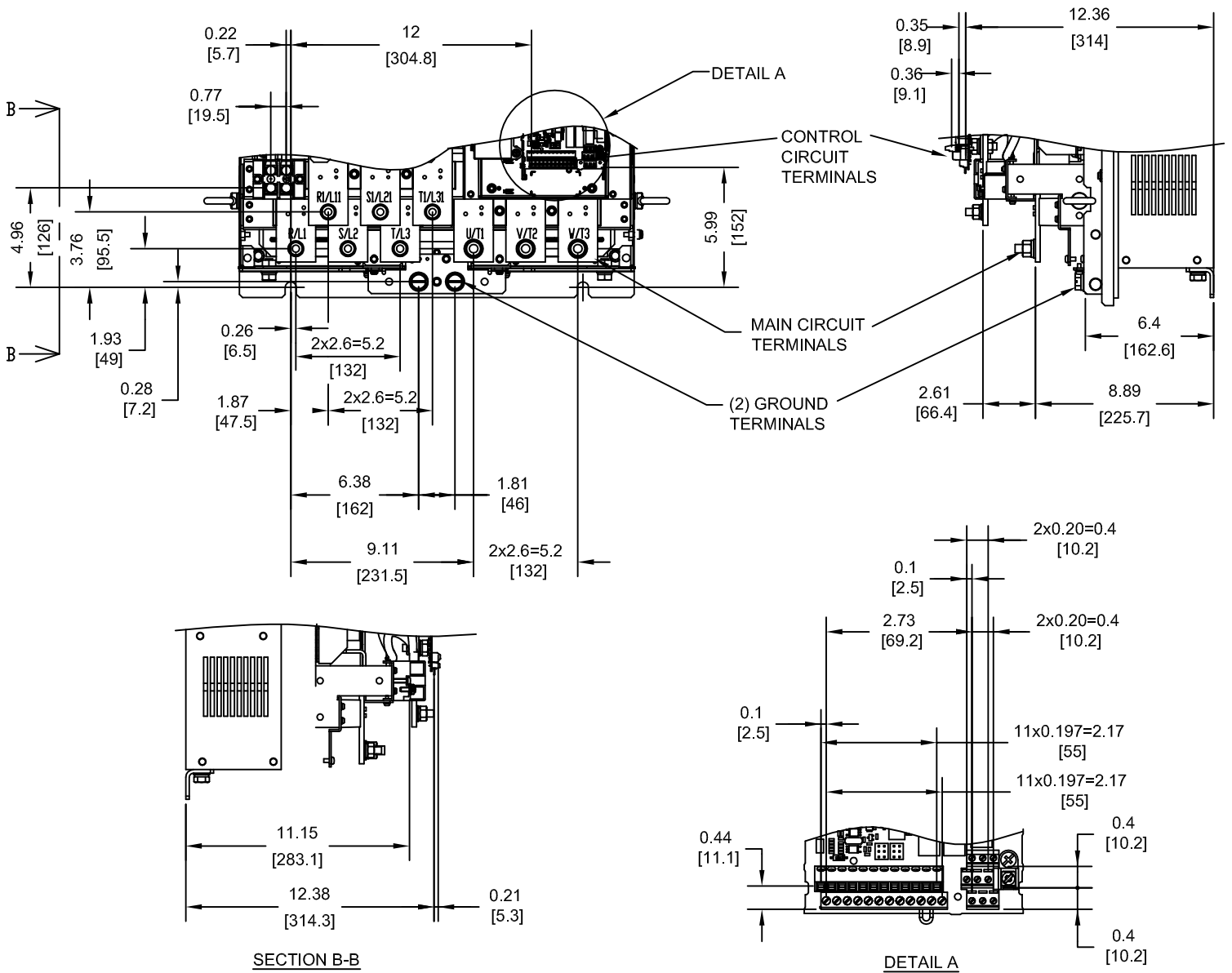
NOTE:
XX DENOTES AA-ZZ

INT=INTERNAL COMPONENTS
EXT=EXTERNAL HEATSINK
TOT=TOTAL

FOR ADDITIONAL DETAILS AND SPECIFICATIONS, CONSULT MANUAL

TOLERANCES / REFERENCES:			DRAWN: J. MATTAS DATE: 6-5-14	TITLE: Z1000 12 PULSE DIMENSION DRAWING FRAME SIZE 12 IP00 ENCLOSURE 4T0250A, 4T0296A & 4T0362A
			CHECKED: J. PIOTROWSKI DATE: 6-16-14	TECH: J. BORJA DATE: 6-19-14
		THIS DOCUMENT AND INFORMATION CONTAINED IN IT ARE CONFIDENTIAL, AND CANNOT BE COPIED OR DISCLOSED IN WHOLE OR IN PART WITHOUT THE EXPRESS WRITTEN CONSENT OF YASKAWA AMERICA, INC.	APPROVED: J. CAIRO DATE: 7-7-14	ORIGINAL DESIGN: - DATE: -
UNITS: IN[mm]	SCALE: 1:15		SIZE: A REVISION: R02 PAGE: 1 of 3	DRAWING #: DD.Z1K12.FR12.IP00

TERMINAL AND WIRING DETAILS (SCALE 1:8)



TERMINAL AND WIRE SPECIFICATIONS FOR MAIN CIRCUIT AND GROUND

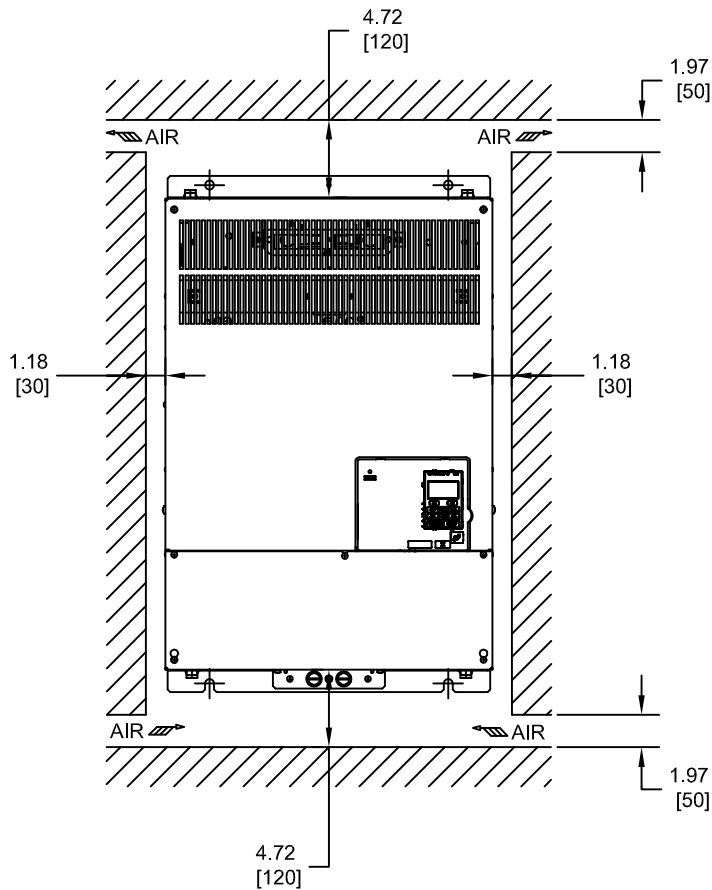
MODEL # CIMR-ZU	TERMINAL SYMBOL	TERMINAL SCREW	CLAMPING TORQUE lb.in.(N.m.)	WIRE RANGE AWG(mm ²)
4T0250A	R/L1, S/L2, T/L3	M10	159 TO 204 (18 TO 23)	SEE NOTE
	R1/L11, S1/L21, T1/L31			
	U/T1, V/T2, W/T3			
	⊖, ⊕3	M6	22.1 TO 26.6 (2.5 TO 3.0)	22-1/0 (0.3-53.5)
4T0296A 4T0362A	R/L1, S/L2, T/L3	M10	159 TO 204 (18 TO 23)	SEE NOTE
	R1/L11, S1/L21, T1/L31			
	U/T1, V/T2, W/T3			
	⊖, ⊕3	M6	22.1 TO 26.6 (2.5 TO 3.0)	22-1/0 (0.3-53.5)
	⊕	M12	283.2 TO 354.0 (32 TO 40)	SEE NOTE

NOTE: REFER TO APPLICABLE CODES FOR PROPER WIRE TYPE AND SIZE

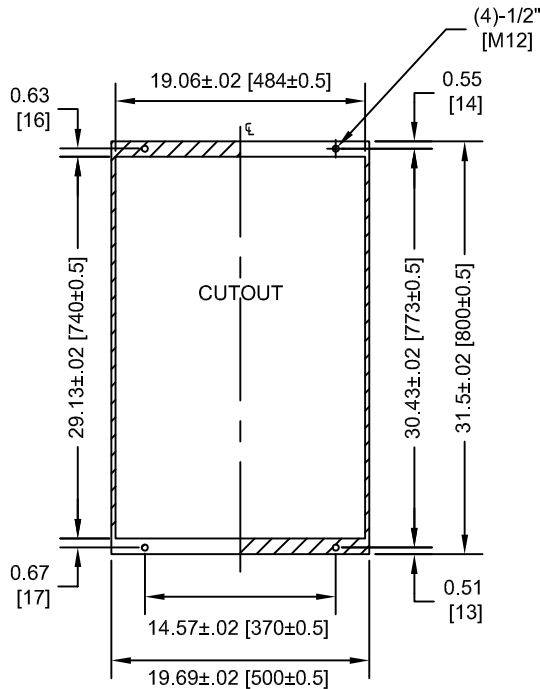
FOR ADDITIONAL DETAILS AND SPECIFICATIONS, CONSULT MANUAL

TOLERANCES / REFERENCES:		<p>THIS DOCUMENT AND INFORMATION CONTAINED IN IT ARE CONFIDENTIAL, AND CANNOT BE COPIED OR DISCLOSED IN WHOLE OR IN PART WITHOUT THE EXPRESS WRITTEN CONSENT OF YASKAWA AMERICA, INC.</p>	DRAWN: J. MATTAS CHECKED: J. PIOTROWSKI TECH: J. BORJA APPROVED: J. CAIRO ORIGINAL DESIGN:	DATE: 6-5-14 DATE: 6-16-14 DATE: 6-19-14 DATE: 7-7-14 DATE:	TITLE: Z1000 12 PULSE DIMENSION DRAWING FRAME SIZE 12 IP00 ENCLOSURE 4T0250A, 4T0296A & 4T0362A SIZE: A REVISION: R02 PAGE: 2 of 3
UNITS: IN[mm]	SCALE: BY VIEW		DRAWING #: DD.Z1K12.FR12.IP00		

MINIMUM INSTALLATION CLEARANCES (SCALE 1:12)



PANEL CUTOUT FOR EXTERNAL HEATSINK MOUNTING CONFIGURATION (SCALE 1:15)



NOTE:
EXPOSED HEATSINK DEPTH
D=5.12" MINUS PANEL THICKNESS

FOR ADDITIONAL DETAILS AND SPECIFICATIONS, CONSULT MANUAL

TOLERANCES / REFERENCES:			DRAWN: J. MATTAS	DATE 6-5-14	TITLE: Z1000 12 PULSE DIMENSION DRAWING	
UNITS: IN[mm]	SCALE: BY VIEW		CHECKED: J. PIOTROWSKI	DATE 6-16-14	FRAME SIZE 12	
THIS DOCUMENT AND INFORMATION CONTAINED IN IT ARE CONFIDENTIAL, AND CANNOT BE COPIED OR DISCLOSED IN WHOLE OR IN PART WITHOUT THE EXPRESS WRITTEN CONSENT OF YASKAWA AMERICA, INC.		TECH: J. BORJA	DATE 6-19-14	IP00 ENCLOSURE		
		APPROVED: J. CAIRO	DATE 7-7-14	SIZE A	REVISION R02	PAGE 3 of 3
		ORIGINAL DESIGN: -	DATE -	DRAWING #: DD.Z1K12.FR12.IP00		