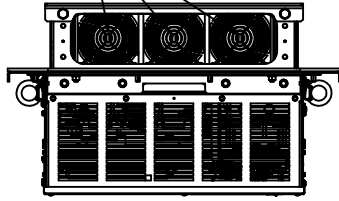
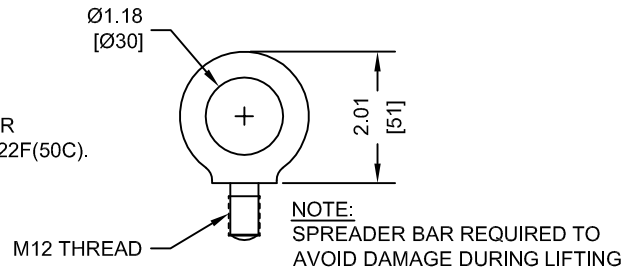


(3) EXTERNAL COOLING FANS

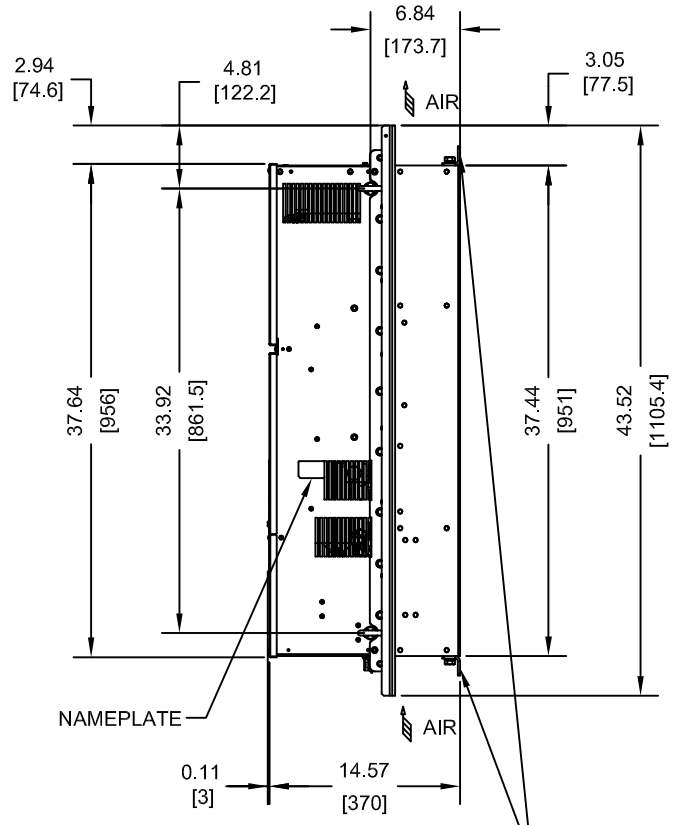
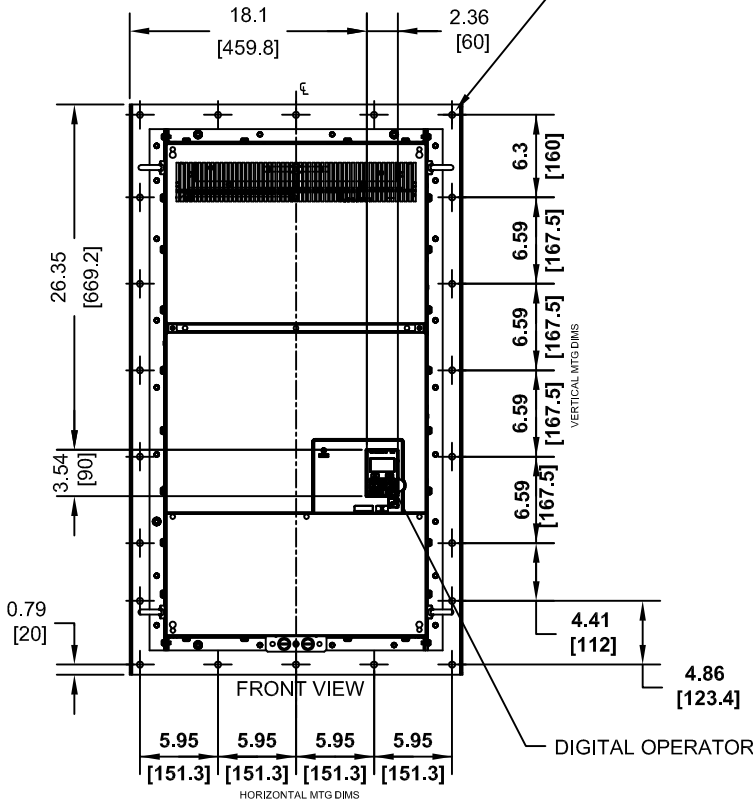


NOTE:
MAXIMUM SURROUNDING AIR
TEMPERATURE RATING IS 122F(50C).

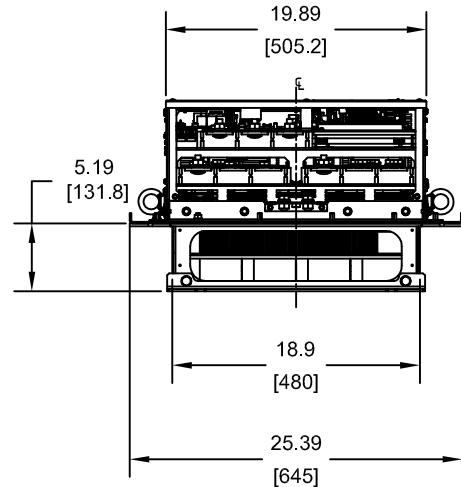
LIFTING AND EYEBOLT DETAILS



(22)-MOUNTING HOLES
FOR 3/8" [M10] SCREWS



(2)-MOUNTING BRACKETS
USED DURING TRANSPORT ONLY
REMOVE BEFORE INSTALLING



MODEL #	INPUT TYPE	VOLTAGE 3-PHASE (VAC)	OUTPUT CURRENT (A)	WEIGHT LBS (Kg)	HEAT LOSS (W) (Fc=2kHz)		
					INT	EXT	TOT
4T0414UXX	12 PULSE	380/480	414	280 (127)	1083	3443	4526

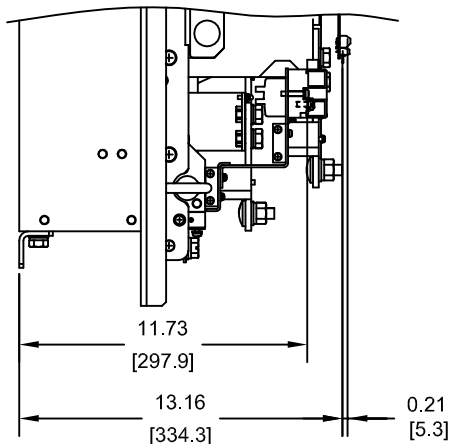
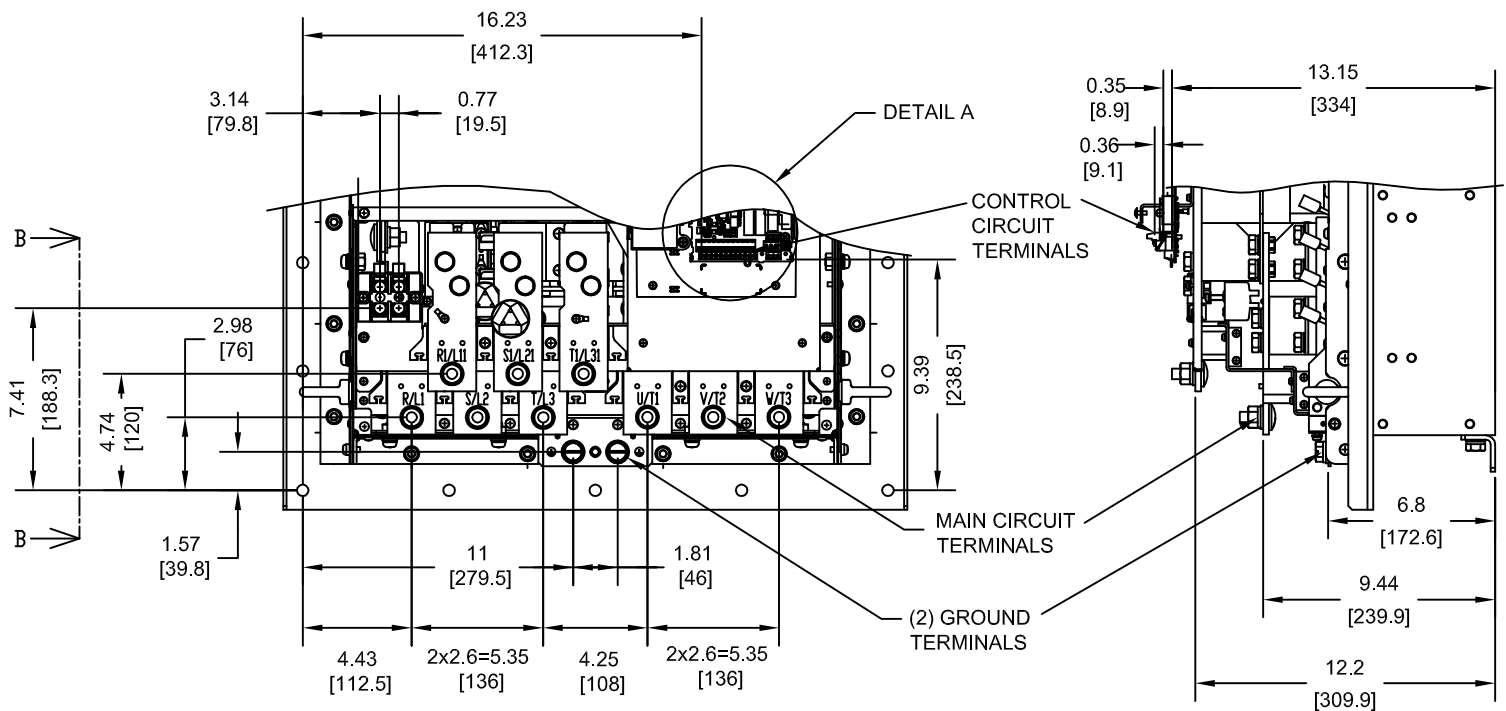
NOTE:
XX DENOTES AA-ZZ

INT=INTERNAL COMPONENTS
EXT=EXTERNAL HEATSINK
TOT=TOTAL

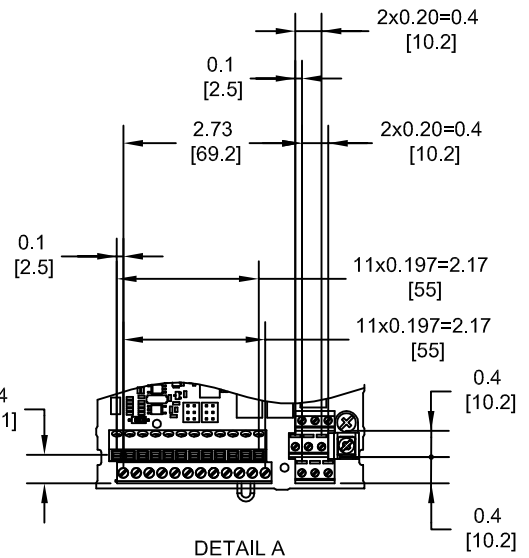
FOR ADDITIONAL DETAILS AND SPECIFICATIONS, CONSULT MANUAL

TOLERANCES / REFERENCES:			DRAWN: J. MATTAS	DATE 6-2-14	TITLE: Z1000 12 PULSE DIMENSION DRAWING		
			CHECKED: J. PIOTROWSKI	DATE 6-12-14	FRAME SIZE 13 DESIGNED FOR IP54/TYPE 12 ENCLOSURES 4T0414U		
		THIS DOCUMENT AND INFORMATION CONTAINED IN IT ARE CONFIDENTIAL, AND CANNOT BE COPIED OR DISCLOSED IN WHOLE OR IN PART WITHOUT THE EXPRESS WRITTEN CONSENT OF YASKAWA AMERICA, INC.	TECH: J. BORJA	DATE 6-16-14	SIZE A	REVISION R00	PAGE 1 of 3
UNITS: IN [mm]	SCALE: 1:15		APPROVED: J. CAIRO	DATE 7-2-14	DRAWING #: DD.Z1K12.FR13.FLNG		
		ORIGINAL DESIGN:	DATE				

TERMINAL AND WIRING DETAILS (SCALE 1:8)



SECTION B-B



DETAIL A

TERMINAL AND WIRE SPECIFICATIONS FOR MAIN CIRCUIT AND GROUND

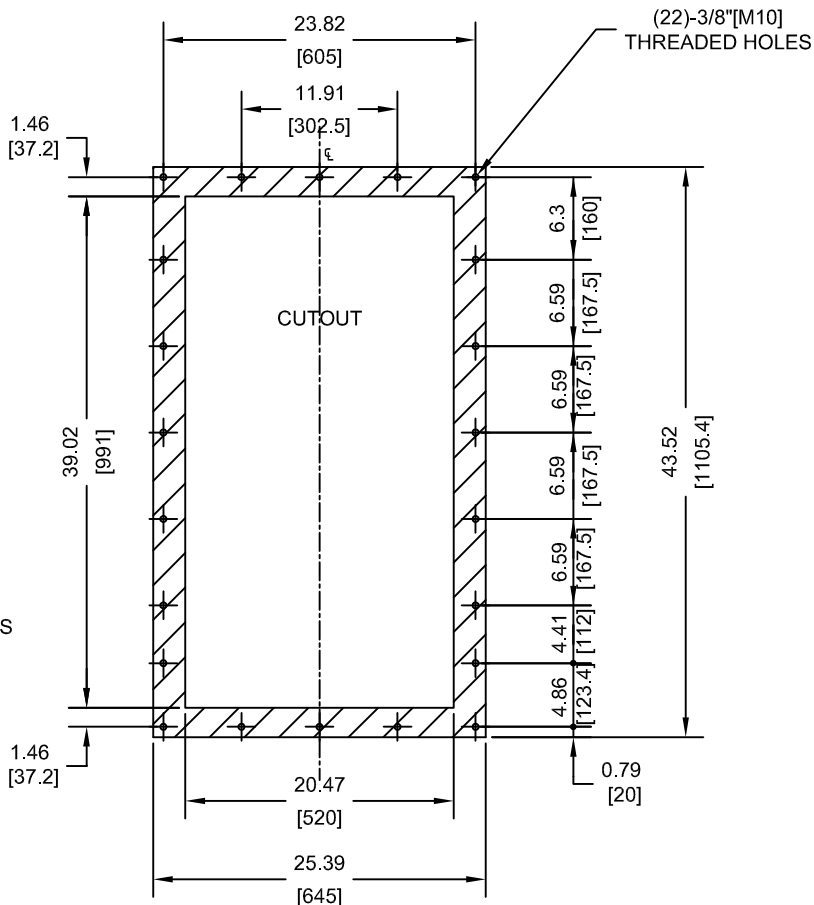
MODEL #	TERMINAL SYMBOL	TERMINAL SCREW	CLAMPING TORQUE lb.in.(N.m.)	WIRE RANGE AWG(mm)
4T0414U	R/L1, S/L2, T/L3	M12	283.2 TO 354.0 (32 TO 40)	SEE NOTE
	R1/L11, S1/L21, T1/L31			
	U/T1, V/T2, W/T3	M6	22.1 TO 26.6 (2.5 TO 3.0)	22-1/0 (0.3-53.5)
	⊖, ⊕3			
	⊕	M12	283.2 TO 354.0 (32 TO 40)	SEE NOTE

NOTE: REFER TO APPLICABLE CODES FOR PROPER WIRE TYPE AND SIZE

FOR ADDITIONAL DETAILS AND SPECIFICATIONS, CONSULT MANUAL

TOLERANCES / REFERENCES:			DRAWN: J. MATTAS CHECKED: J. PIOTROWSKI TECH: J. BORJA APPROVED: J. CAIRO ORIGINAL DESIGN: -	DATE: 6-2-14 DATE: 6-12-14 DATE: 6-16-14 DATE: 7-2-14 DATE: -	TITLE: Z1000 12 PULSE DIMENSION DRAWING FRAME SIZE 13 DESIGNED FOR IP54/TYPE 12 ENCLOSURES 4T0414U SIZE: A REVISION: R00 PAGE: 2 of 3
UNITS: IN [mm]	SCALE: BY VIEW		THIS DOCUMENT AND INFORMATION CONTAINED IN IT ARE CONFIDENTIAL, AND CANNOT BE COPIED OR DISCLOSED IN WHOLE OR IN PART WITHOUT THE EXPRESS WRITTEN CONSENT OF YASKAWA AMERICA, INC.	DRAWING #: DD.Z1K12.FR13.FLNG	


PANEL CUTOUT FOR EXTERNAL HEATSINK MOUNTING CONFIGURATION (SCALE 1:15)



NOTES:

1. CUTOUT TOLERANCES:
+/- 0.02IN (0.5MM)
2. EXPOSED HEATSINK DEPTH
D=5.19" MINUS PANEL THICKNESS
3. MIN. RECOMMENDED PANEL
THICKNESS: 10 GA

FOR ADDITIONAL DETAILS AND SPECIFICATIONS, CONSULT MANUAL

TOLERANCES / REFERENCES:		 THIS DOCUMENT AND INFORMATION CONTAINED IN IT ARE CONFIDENTIAL, AND CANNOT BE COPIED OR DISCLOSED IN WHOLE OR IN PART WITHOUT THE EXPRESS WRITTEN CONSENT OF YASKAWA AMERICA, INC.	DRAWN: J. MATTAS	DATE: 6-2-14	TITLE: Z1000 12 PULSE DIMENSION DRAWING FRAME SIZE 13 DESIGNED FOR IP54/TYPE 12 ENCLOSURES 4T0414U	
			CHECKED: J. PIOTROWSKI	DATE: 6-12-14		
			TECH: J. BORJA	DATE: 6-16-14		
			APPROVED: J. CAIRO	DATE: 7-2-14		
UNITS: IN [mm]	SCALE: BY VIEW	ORIGINAL DESIGN: -	DATE: -	SIZE: A	REVISION: R00	PAGE: 3 of 3
DRAWING #: DD.Z1K12.FR13.FLNG						