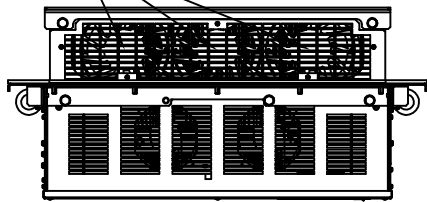
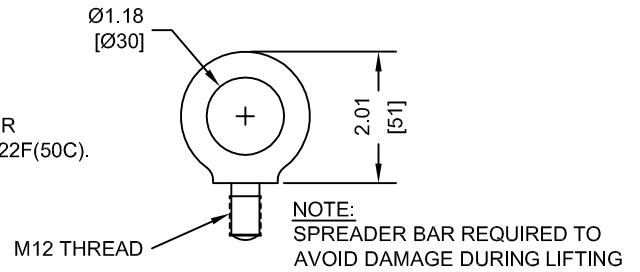


(3) EXTERNAL COOLING FANS

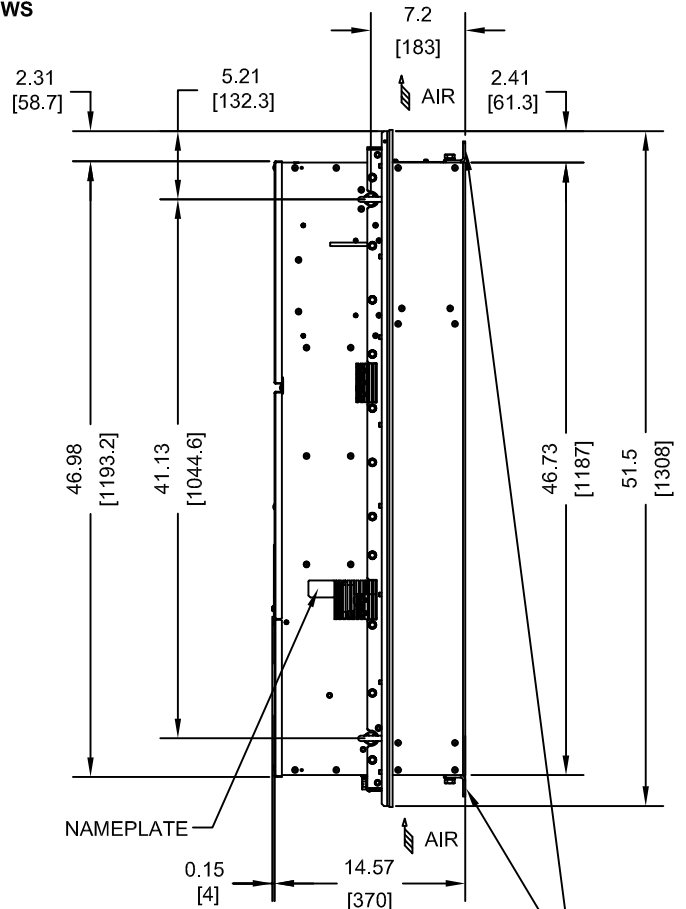
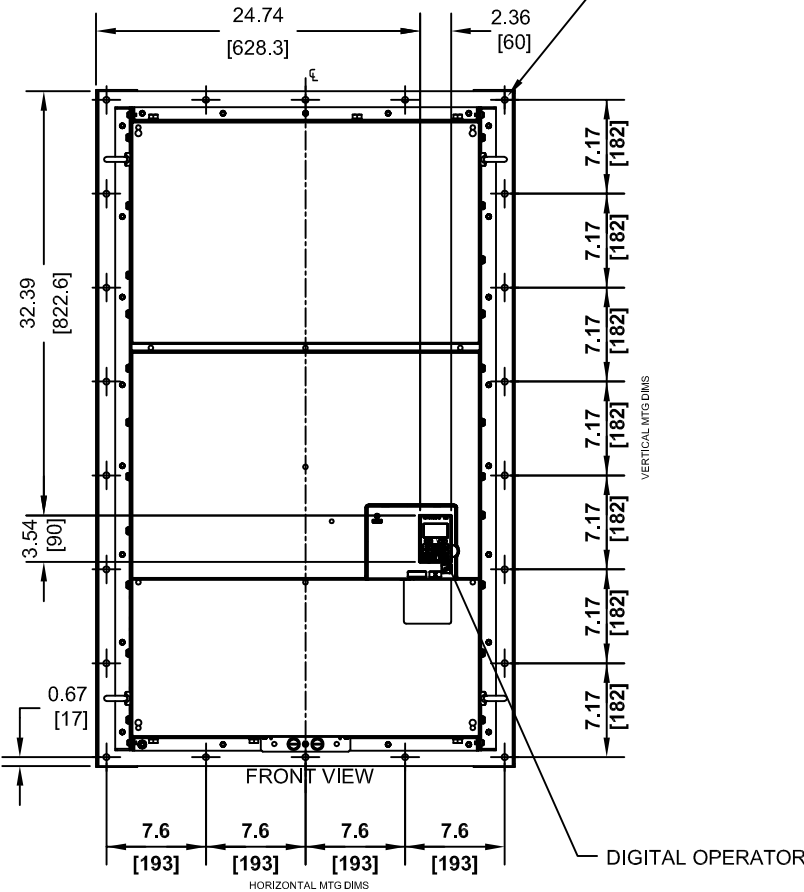


NOTE:
MAXIMUM SURROUNDING AIR
TEMPERATURE RATING IS 122F(50C).

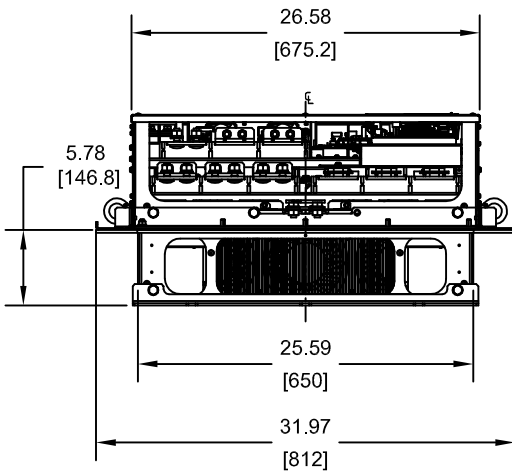
LIFTING AND EYEBOLT DETAILS



(22)-MOUNTING HOLES
FOR 3/8" [M10] SCREWS



(2)-MOUNTING BRACKETS
USED DURING TRANSPORT ONLY
REMOVE BEFORE INSTALLING



MODEL # CIMR-ZU	INPUT TYPE	VOLTAGE 3-PHASE (VAC)	OUTPUT CURRENT (A)	WEIGHT LBS (Kg)	HEAT LOSS (W) (Fc=2kHz)		
					INT	EXT	TOT
4T0515UXX	12 PULSE	380/480	515	463 (210)	1474	4850	6324
4T0675UXX			675	474 (215)	1789	4861	6650

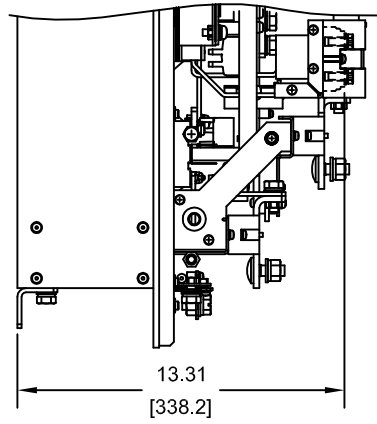
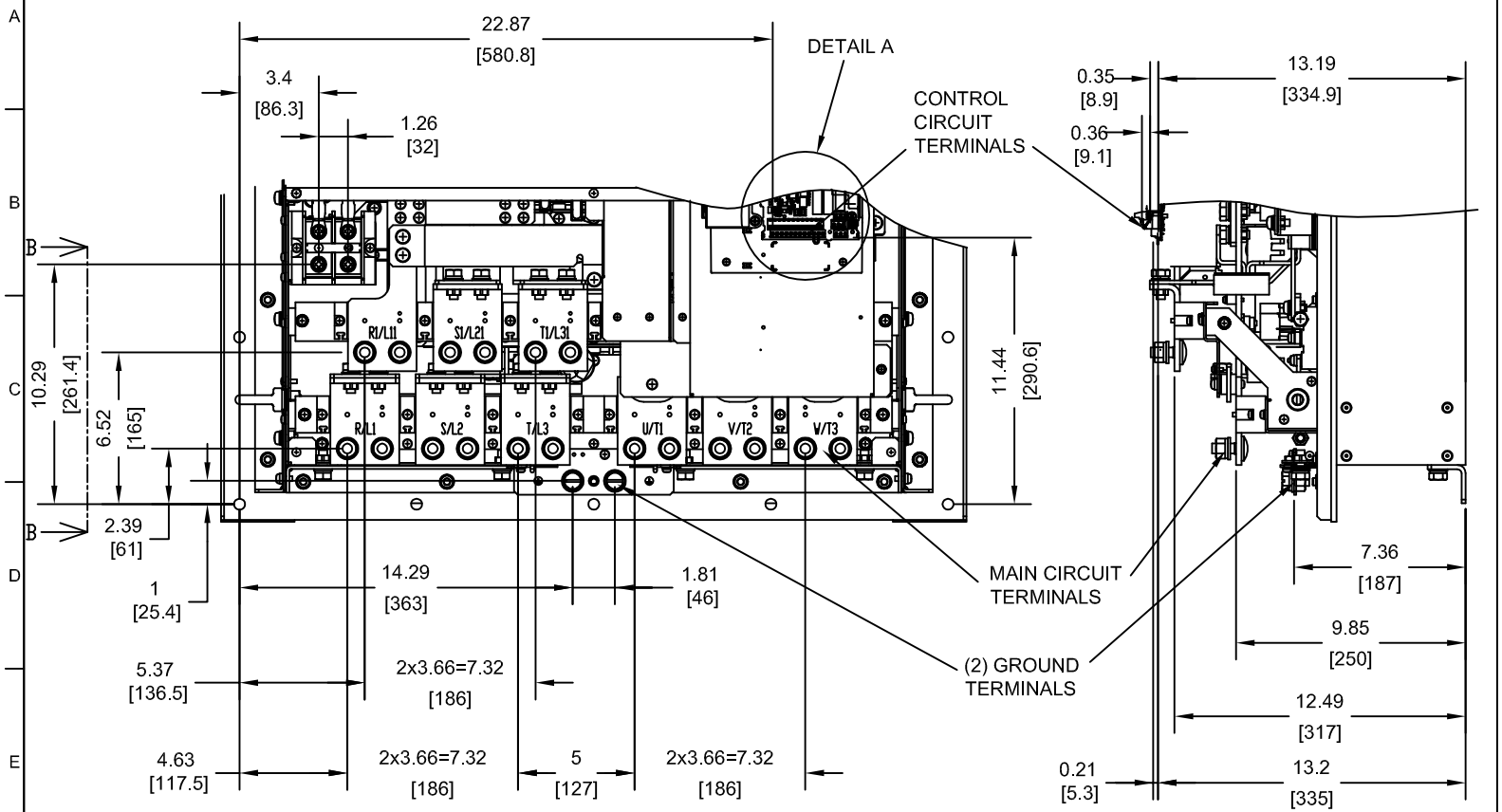
NOTE:
XX DENOTES AA-ZZ

INT=INTERNAL COMPONENTS
EXT=EXTERNAL HEATSINK
TOT=TOTAL

FOR ADDITIONAL DETAILS AND SPECIFICATIONS, CONSULT MANUAL

TOLERANCES / REFERENCES:			DRAWN: J. MATTAS	DATE: 6-2-14	TITLE: Z1000 12 PULSE DIMENSION DRAWING		
			CHECKED: J. PIOTROWSKI	DATE: 6-12-14	FRAME SIZE 14 DESIGNED FOR IP54/TYPE 12 ENCLOSURES 4T0515U & 4T0675U		
		TECH: J. BORJA		DATE: 6-16-14	SIZE: A	REVISION: R00	PAGE: 1 of 3
		APPROVED: J. CAIRO		DATE: 7-2-14	DRAWING #: DD.Z1K12.FR14.FLNG		
UNITS: IN [mm]	SCALE: 1:15	THIS DOCUMENT AND INFORMATION CONTAINED IN IT ARE CONFIDENTIAL, AND CANNOT BE COPIED OR DISCLOSED IN WHOLE OR IN PART WITHOUT THE EXPRESS WRITTEN CONSENT OF YASKAWA AMERICA, INC.		ORIGINAL DESIGN: -			

TERMINAL AND WIRING DETAILS (SCALE 1:8)



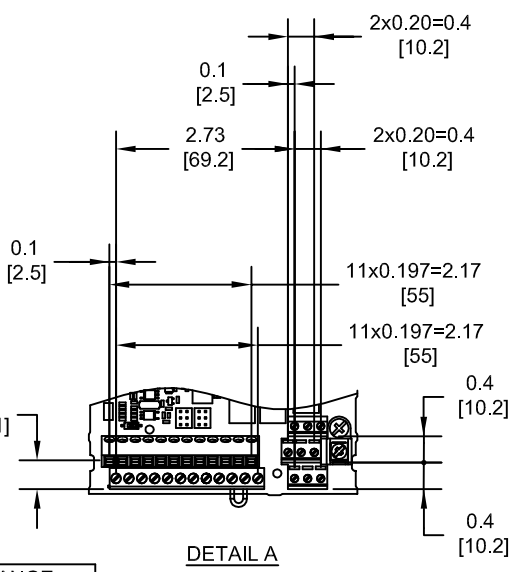
SECTION B-B

TERMINAL AND WIRE SPECIFICATIONS FOR MAIN CIRCUIT AND GROUND

MODEL # CIMR-ZU	TERMINAL SYMBOL	TERMINAL SCREW	CLAMPING TORQUE lb.in.(N.m.)	WIRE RANGE AWG(mm)
4T0515U 4T0675U	R/L1, S/L2, T/L3	M12	283.2 TO 354.0 (32 TO 40)	SEE NOTE
	R1/L11, S1/L21, T1/L31			
	U/T1, V/T2, W/T3			
	⊖, ⊕3	M8	119.5 TO 132.8 (13.5 TO 15)	6-250kcmil (13.3-127)
	⊕	M12	283.2 TO 354.0 (32 TO 40)	SEE NOTE

NOTE: REFER TO APPLICABLE CODES FOR PROPER WIRE TYPE AND SIZE

FOR ADDITIONAL DETAILS AND SPECIFICATIONS, CONSULT MANUAL



DETAIL A

TOLERANCES / REFERENCES:



THIS DOCUMENT AND INFORMATION CONTAINED IN IT ARE CONFIDENTIAL, AND CANNOT BE COPIED OR DISCLOSED IN WHOLE OR IN PART WITHOUT THE EXPRESS WRITTEN CONSENT OF YASKAWA AMERICA, INC.

DRAWN: J. MATTAS	DATE 6-2-14
CHECKED: J. PIOTROWSKI	DATE 6-12-14
TECH: J. BORJA	DATE 6-16-14
APPROVED: J. CAIRO	DATE 7-2-14
ORIGINAL DESIGN:	DATE

TITLE: Z1000 12 PULSE DIMENSION DRAWING FRAME SIZE 14 DESIGNED FOR IP54/TYPE 12 ENCLOSURES 4T0515U & 4T0675U		
SIZE A	REVISION R00	PAGE 2 of 3
DRAWING #: DD.Z1K12.FR14.FLNG		

UNITS: IN [mm] SCALE: BY VIEW

