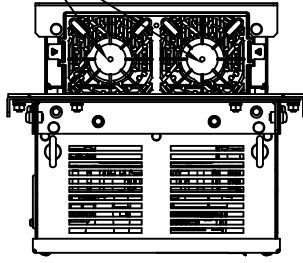
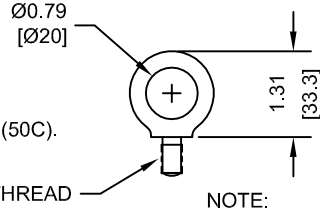


(2) EXTERNAL COOLING FANS



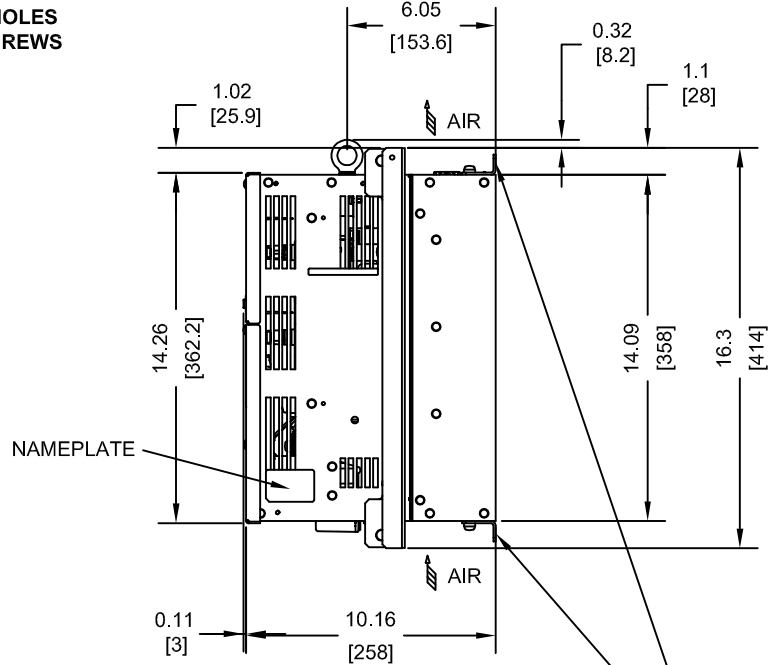
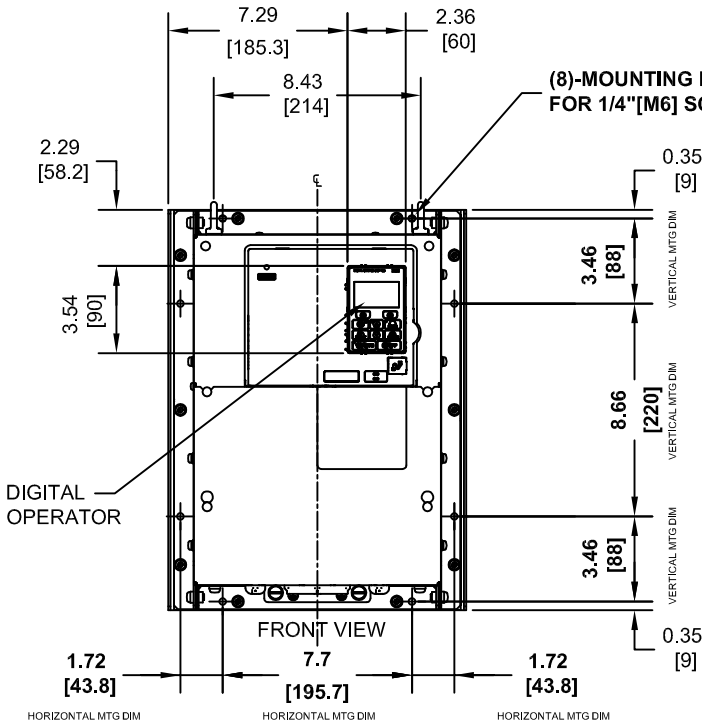
LIFTING AND EYEBOLT DETAILS



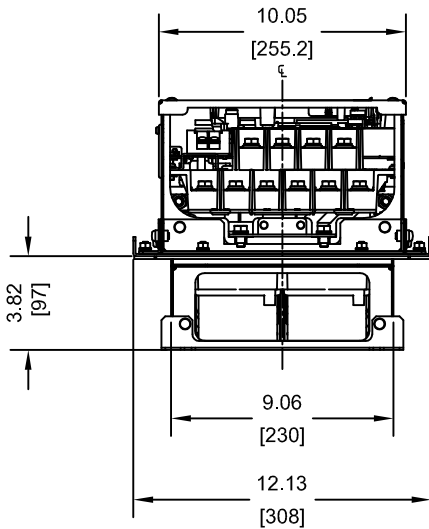
NOTE:  
MAXIMUM SURROUNDING AIR  
TEMPERATURE RATING IS 122F(50C).

NOTE:  
SPREADER BAR REQUIRED TO  
AVOID DAMAGE DURING LIFTING

(8)-MOUNTING HOLES  
FOR 1/4" [M6] SCREWS



(2)-MOUNTING BRACKETS  
USED DURING TRANSPORT ONLY  
REMOVE BEFORE INSTALLING



MODEL #	INPUT TYPE	VOLTAGE 3-PHASE (VAC)	OUTPUT CURRENT (A)	WEIGHT LBS (Kg)	HEAT LOSS (W) (Fc=2kHz)		
					INT	EXT	TOT
4T0058UXX	12 PULSE	380/480	58.0	46.2 (21)	197	453	650

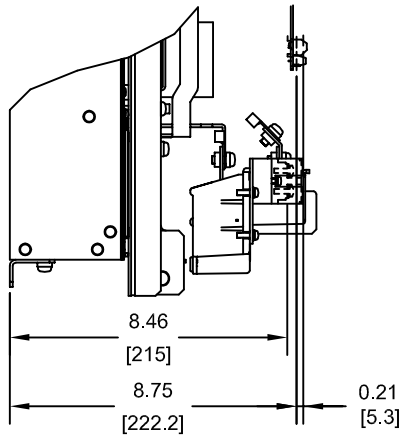
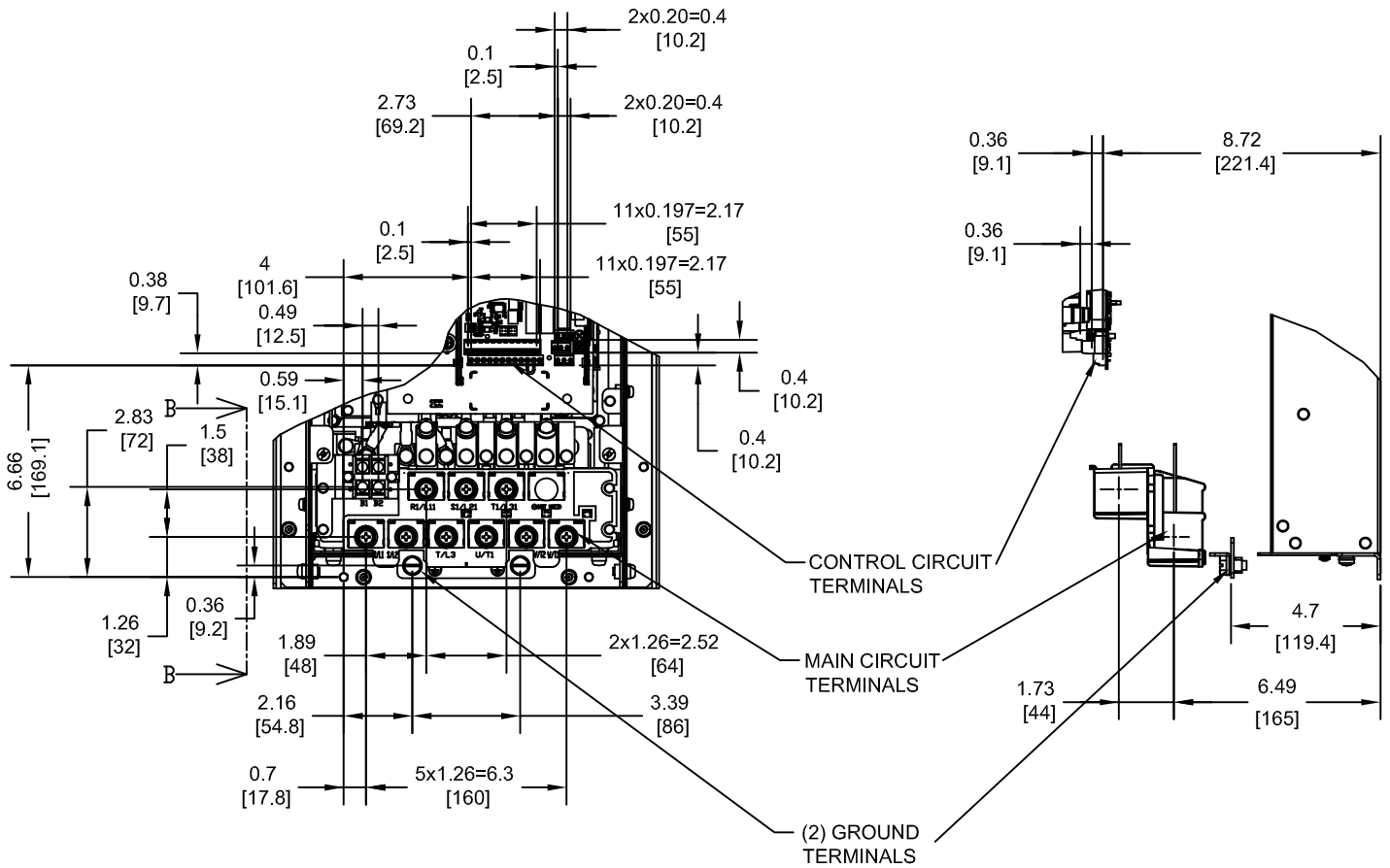
NOTE:  
XX DENOTES AA-ZZ

INT=INTERNAL COMPONENTS  
EXT=EXTERNAL HEATSINK  
TOT=TOTAL

FOR ADDITIONAL DETAILS AND SPECIFICATIONS, CONSULT MANUAL

TOLERANCES / REFERENCES:		<p>THIS DOCUMENT AND INFORMATION CONTAINED IN IT ARE CONFIDENTIAL, AND CANNOT BE COPIED OR DISCLOSED IN WHOLE OR IN PART WITHOUT THE EXPRESS WRITTEN CONSENT OF YASKAWA AMERICA, INC.</p>	DRAWN: J. MATTAS DATE: 5-23-14	DATE: 5-23-14	TITLE: Z1000 12 PULSE DIMENSION DRAWING FRAME SIZE 7 DESIGNED FOR IP54/TYPE 12 ENCLOSURES 4T0058U	
UNITS: IN [mm]	SCALE: 1:8		CHECKED: J. PIOTROWSKI DATE: 6-12-14	DATE: 6-12-14	SIZE: A	REVISION: R00
			TECH: J. BORJA DATE: 6-16-14	DATE: 6-16-14	PAGE: 1 of 3	
			APPROVED: J. CAIRO DATE: 7-2-14	DATE: 7-2-14	DRAWING #: <b>DD.Z1K12.FR7.FLNG</b>	

TERMINAL AND WIRING DETAILS (SCALE 1:6)



TERMINAL AND WIRE SPECIFICATIONS FOR MAIN CIRCUIT AND GROUND

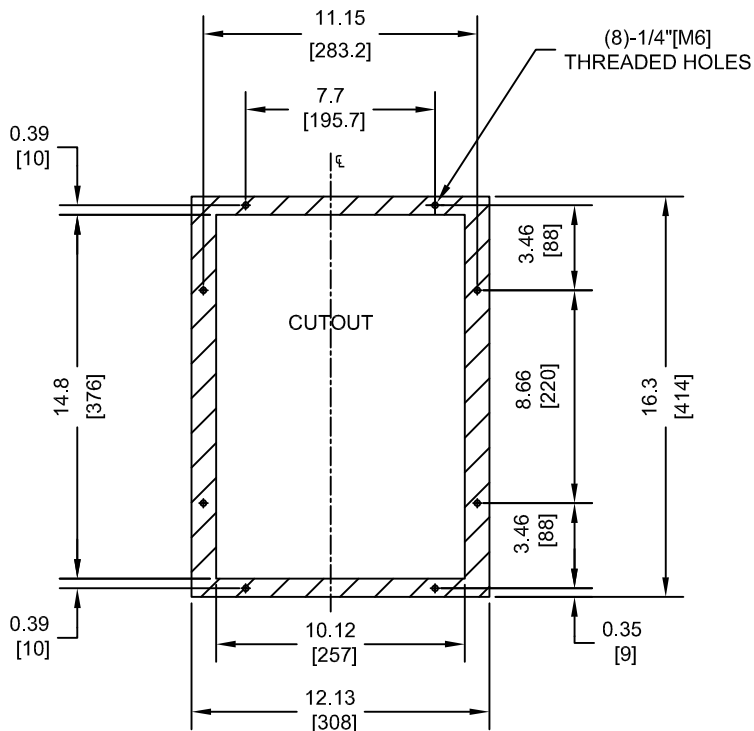
MODEL #	TERMINAL SYMBOL	TERMINAL SCREW	CLAMPING TORQUE lb.in.(N.m.)	WIRE RANGE AWG(mm <sup>2</sup> )
4T0058U	R/L1, S/L2, T/L3	M8	79.7 TO 97.4 (9 TO 11)	10-1/0 (5.3-53.5)
	R1/L11, S1/L21, T1/L31			
	U/T1, V/T2, W/T3			
	B1, B2	M4	10.6 (1.2)	22-10 (0.3-5.3)
	⊕	M8	79.7 TO 97.4 (9 TO 11)	SEE NOTE

NOTE: REFER TO APPLICABLE CODES FOR PROPER WIRE TYPE AND SIZE

FOR ADDITIONAL DETAILS AND SPECIFICATIONS, CONSULT MANUAL

TOLERANCES / REFERENCES:			DRAWN: J. MATTAS DATE: 5-23-14	TITLE: Z1000 12 PULSE DIMENSION DRAWING FRAME SIZE 7 DESIGNED FOR IP54/TYPE 12 ENCLOSURES 4T0058U
UNITS: IN [mm] SCALE: BY VIEW			CHECKED: J. PIOTROWSKI DATE: 6-12-14	TECH: J. BORJA DATE: 6-16-14
THIS DOCUMENT AND INFORMATION CONTAINED IN IT ARE CONFIDENTIAL, AND CANNOT BE COPIED OR DISCLOSED IN WHOLE OR IN PART WITHOUT THE EXPRESS WRITTEN CONSENT OF YASKAWA AMERICA, INC.		APPROVED: J. CAIRO DATE: 7-2-14	ORIGINAL DESIGN: - DATE: -	DRAWING #: <b>DD.Z1K12.FR7.FLNG</b>


**PANEL CUTOUT FOR EXTERNAL HEATSINK  
MOUNTING CONFIGURATION (SCALE 1:8)**



**NOTES:**

1. CUTOUT TOLERANCES:  
+/- 0.02IN (0.5MM)
2. EXPOSED HEATSINK DEPTH  
D=3.82" MINUS PANEL THICKNESS
3. MIN. RECOMMENDED PANEL  
THICKNESS: 12 GA

FOR ADDITIONAL DETAILS AND SPECIFICATIONS, CONSULT MANUAL

TOLERANCES / REFERENCES:		 <p><b>THIS DOCUMENT AND INFORMATION CONTAINED IN IT ARE CONFIDENTIAL, AND CANNOT BE COPIED OR DISCLOSED IN WHOLE OR IN PART WITHOUT THE EXPRESS WRITTEN CONSENT OF YASKAWA AMERICA, INC.</b></p>	DRAWN: <b>J. MATTAS</b>	DATE: <b>5-23-14</b>	TITLE: Z1000 12 PULSE DIMENSION DRAWING FRAME SIZE 7 DESIGNED FOR IP54/TYPE 12 ENCLOSURES 4T0058U	
			CHECKED: <b>J. PIOTROWSKI</b>	DATE: <b>6-12-14</b>		
			TECH: <b>J. BORJA</b>	DATE: <b>6-16-14</b>		
			APPROVED: <b>J. CAIRO</b>	DATE: <b>7-2-14</b>		
UNITS: IN [mm]	SCALE: BY VIEW	ORIGINAL DESIGN: -	DATE: -	SIZE: A	REVISION: R00	PAGE: 3 of 3
				DRAWING #: <b>DD.Z1K12.FR7.FLNG</b>		