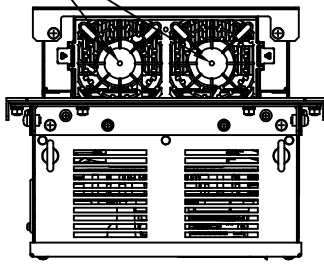
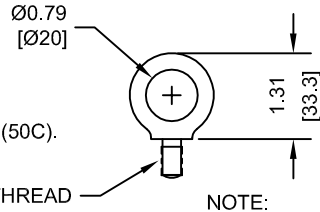


(2) EXTERNAL COOLING FANS

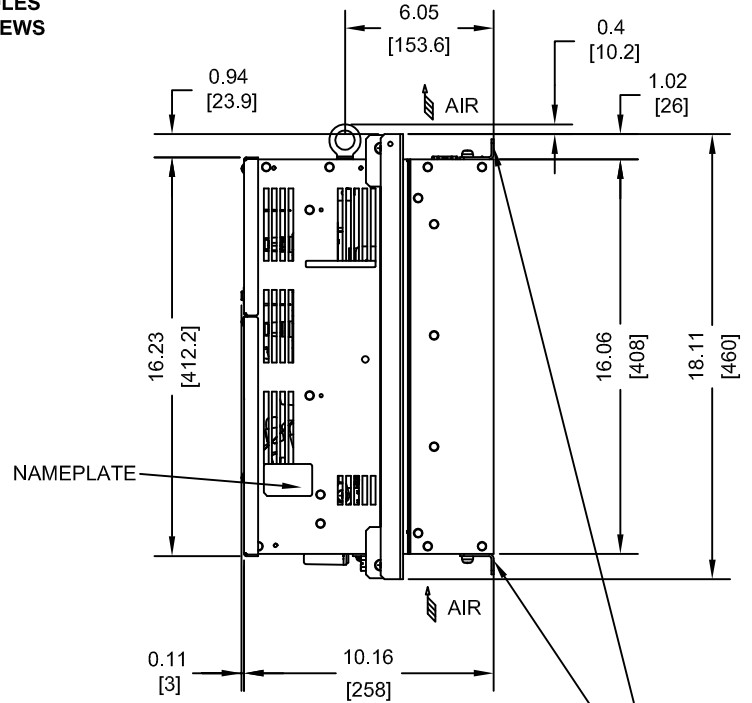
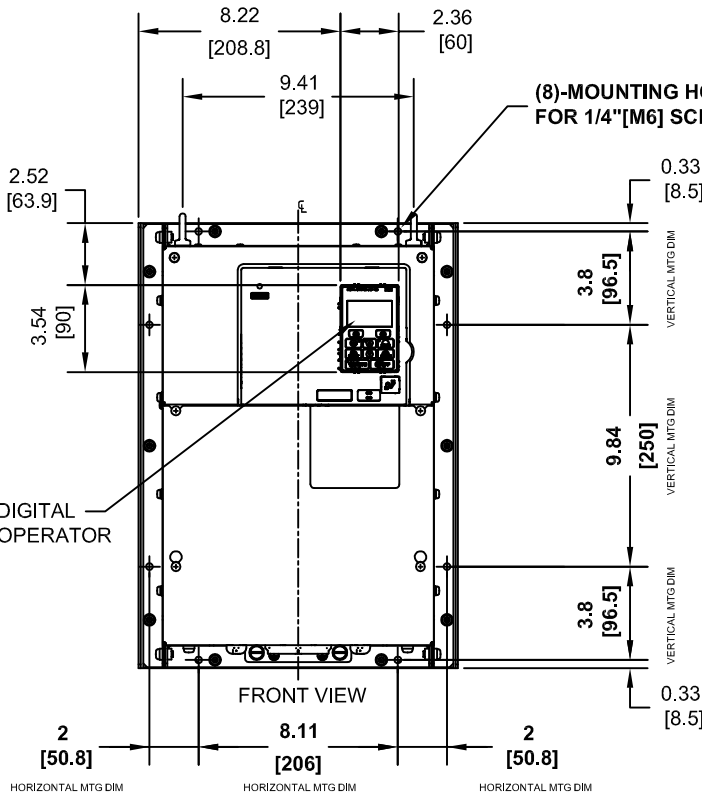


LIFTING AND EYEBOLT DETAILS

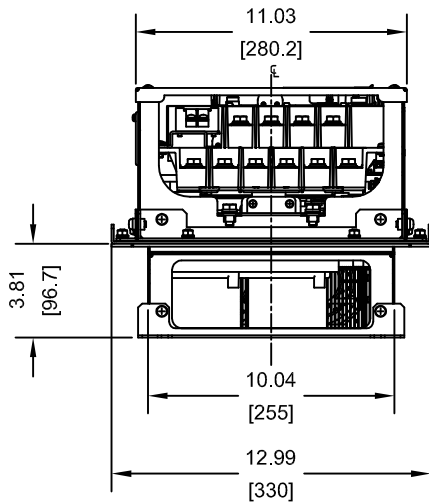


NOTE:
MAXIMUM SURROUNDING AIR
TEMPERATURE RATING IS 122F(50C).

NOTE:
SPREADER BAR REQUIRED TO
AVOID DAMAGE DURING LIFTING



(2)-MOUNTING BRACKETS
USED DURING TRANSPORT ONLY
REMOVE BEFORE INSTALLING



MODEL #	INPUT TYPE	VOLTAGE 3-PHASE (VAC)	OUTPUT CURRENT (A)	WEIGHT LBS (Kg)	HEAT LOSS (W) (Fc=2kHz)		
					INT	EXT	TOT
4T0072UXX	12 PULSE	380/480	72.0	52.8 (24)	244	588	832

NOTE:
XX DENOTES AA-ZZ

INT=INTERNAL COMPONENTS
EXT=EXTERNAL HEATSINK
TOT=TOTAL

FOR ADDITIONAL DETAILS AND SPECIFICATIONS, CONSULT MANUAL

TOLERANCES / REFERENCES:

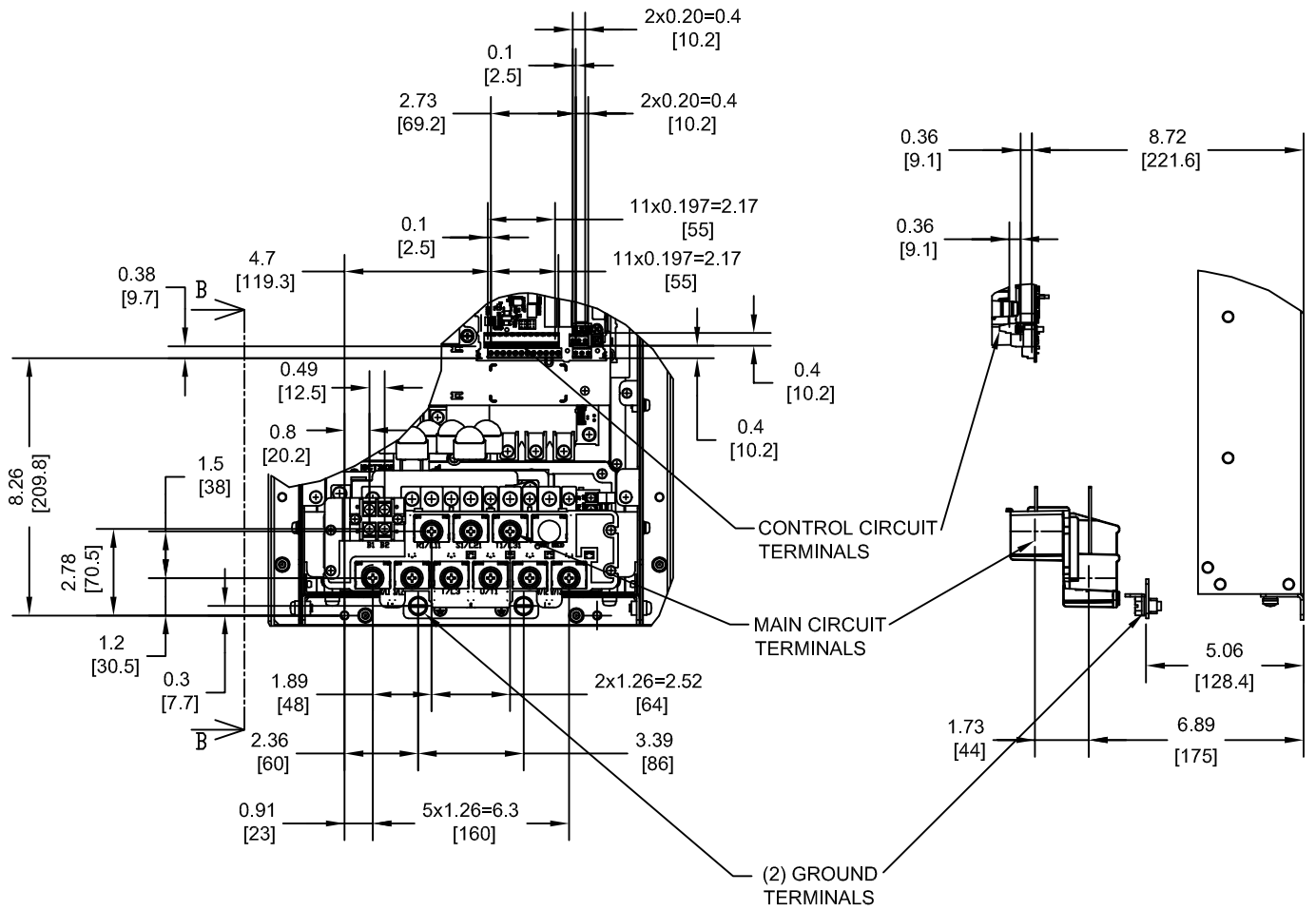


THIS DOCUMENT AND INFORMATION CONTAINED IN IT ARE CONFIDENTIAL, AND CANNOT BE COPIED OR DISCLOSED IN WHOLE OR IN PART WITHOUT THE EXPRESS WRITTEN CONSENT OF YASKAWA AMERICA, INC.

DRAWN: J. MATTAS	DATE 5-29-14
CHECKED: J. PIOTROWSKI	DATE 6-12-14
TECH: J. BORJA	DATE 6-16-14
APPROVED: J. CAIRO	DATE 7-2-14
ORIGINAL DESIGN: -	DATE -

TITLE: Z1000 12 PULSE DIMENSION DRAWING FRAME SIZE 8 DESIGNED FOR IP54/TYPE 12 ENCLOSURES 4T0072U		
SIZE A	REVISION R00	PAGE 1 of 3
DRAWING #: DD.Z1K12.FR8.FLNG		

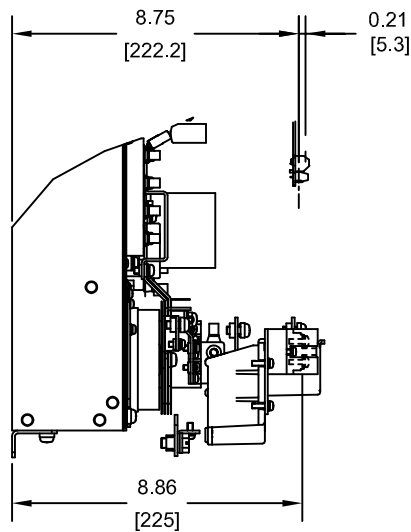
TERMINAL AND WIRING DETAILS (SCALE 1:6)



TERMINAL AND WIRE SPECIFICATIONS FOR MAIN CIRCUIT AND GROUND

MODEL # CIMR-ZU	TERMINAL SYMBOL	TERMINAL SCREW	CLAMPING TORQUE lb.in.(N.m.)	WIRE RANGE AWG(mm ²)
4T0072U	R/L1, S/L2, T/L3	M8	79.7 TO 97.4 (9 TO 11)	10-3/0 (5.3-85.0)
	R1/L11, S1/L21, T1/L31			
	U/T1, V/T2, W/T3	M4	10.6 (1.2)	22-10 (0.3-5.3)
	⊕	M8	79.7 TO 97.4 (9 TO 11)	SEE NOTE

NOTE: REFER TO APPLICABLE CODES FOR PROPER WIRE TYPE AND SIZE

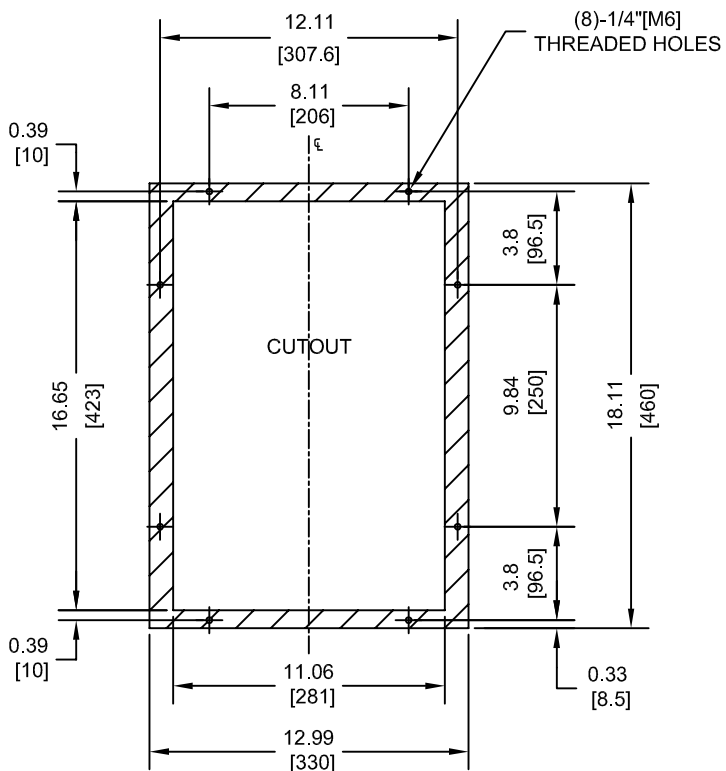


SECTION B-B

FOR ADDITIONAL DETAILS AND SPECIFICATIONS, CONSULT MANUAL

TOLERANCES / REFERENCES:			DRAWN: J. MATTAS DATE: 5-29-14	TITLE: Z1000 12 PULSE DIMENSION DRAWING FRAME SIZE 8 DESIGNED FOR IP54/TYPE 12 ENCLOSURES 4T0072U
UNITS: IN [mm] SCALE: BY VIEW			CHECKED: J. PIOTROWSKI DATE: 6-12-14	REVISION: R00 PAGE: 2 of 3
THIS DOCUMENT AND INFORMATION CONTAINED IN IT ARE CONFIDENTIAL, AND CANNOT BE COPIED OR DISCLOSED IN WHOLE OR IN PART WITHOUT THE EXPRESS WRITTEN CONSENT OF YASKAWA AMERICA, INC.		TECH: J. BORJA DATE: 6-16-14	ORIGINAL DESIGN: - DATE: -	DRAWING #: DD.Z1K12.FR8.FLNG


**PANEL CUTOUT FOR EXTERNAL HEATSINK
MOUNTING CONFIGURATION (SCALE 1:8)**



NOTES:

1. CUTOUT TOLERANCES:
+/- 0.02IN (0.5MM)
2. EXPOSED HEATSINK DEPTH
D=3.81" MINUS PANEL THICKNESS
3. MIN. RECOMMENDED PANEL
THICKNESS: 12 GA

FOR ADDITIONAL DETAILS AND SPECIFICATIONS, CONSULT MANUAL

TOLERANCES / REFERENCES:			DRAWN: J. MATTAS	DATE: 5-29-14	TITLE: Z1000 12 PULSE DIMENSION DRAWING FRAME SIZE 8 DESIGNED FOR IP54/TYPE 12 ENCLOSURES 4T0072U	
			CHECKED: J. PIOTROWSKI	DATE: 6-12-14		
		THIS DOCUMENT AND INFORMATION CONTAINED IN IT ARE CONFIDENTIAL, AND CANNOT BE COPIED OR DISCLOSED IN WHOLE OR IN PART WITHOUT THE EXPRESS WRITTEN CONSENT OF YASKAWA AMERICA, INC.	TECH: J. BORJA	DATE: 6-16-14	SIZE: A	REVISION: R00
			APPROVED: J. CAIRO	DATE: 7-2-14	PAGE: 3 of 3	
UNITS: IN [mm]	SCALE: BY VIEW		ORIGINAL DESIGN: -	DATE: -	DRAWING #: DD.Z1K12.FR8.FLNG	