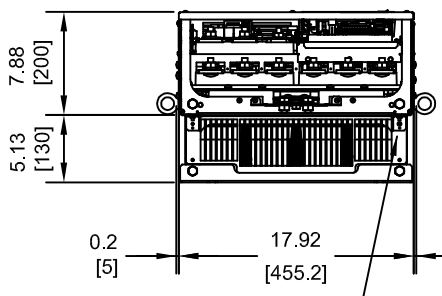
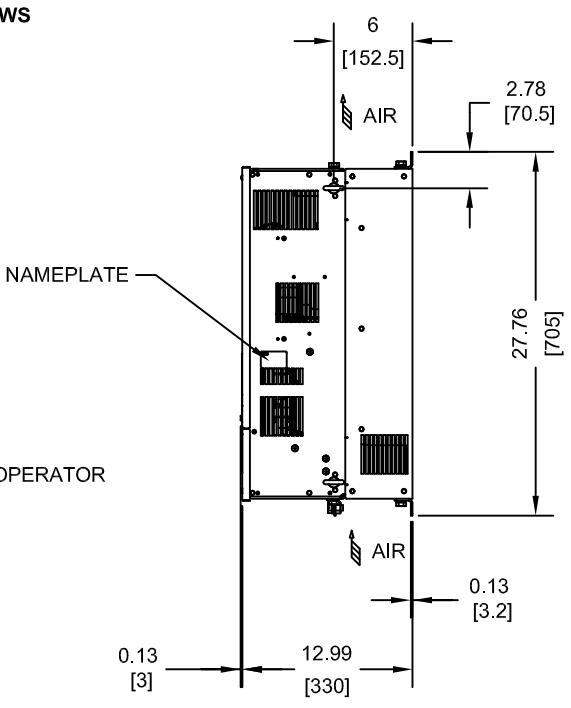
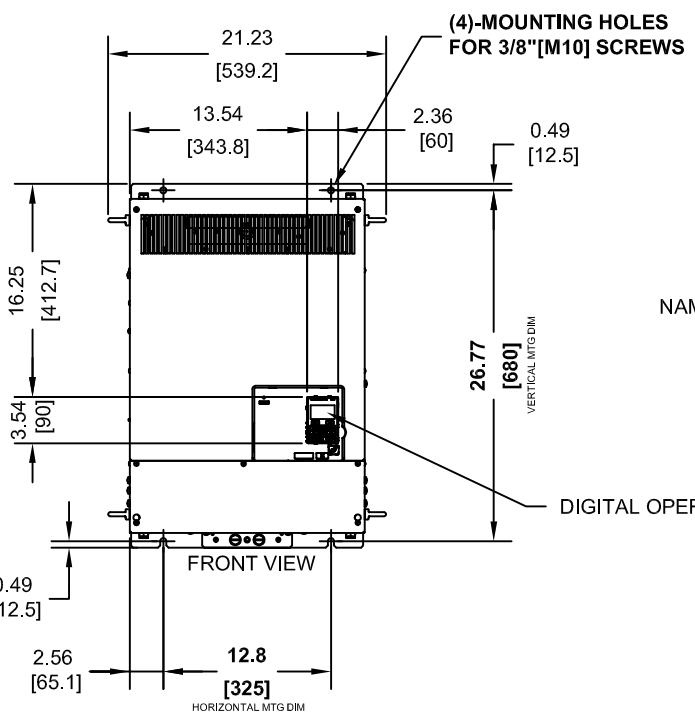
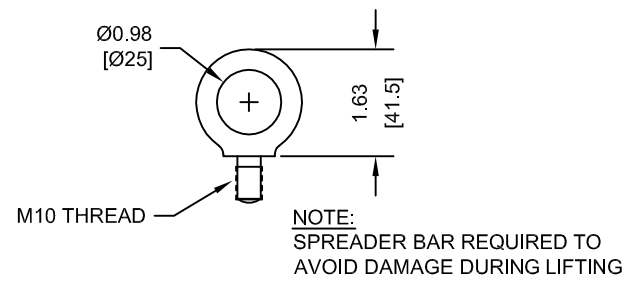


LIFTING AND EYEBOLT DETAILS



OPTIONAL CAPACITOR COVER
WHEN USING AN EXTERNAL MOUNT HEATSINK, UL COMPLIANCE REQUIRES COVERING EXPOSED CAPACITORS IN THE MAIN CIRCUIT TO PREVENT INJURY. CONSULT MANUAL FOR DETAILS.

MODEL # CIMR-ZU	VOLTAGE THREE-PHASE (VAC)	OUTPUT CURRENT (A)	WEIGHT LBS (Kg)	HEAT LOSS (W) (Fc=2kHz)		
				INT	EXT	TOT
5A0125AXX	500/600	125	174 (79)	537	1641	2178
5A0145AXX		145	174 (79)	603	1860	2463

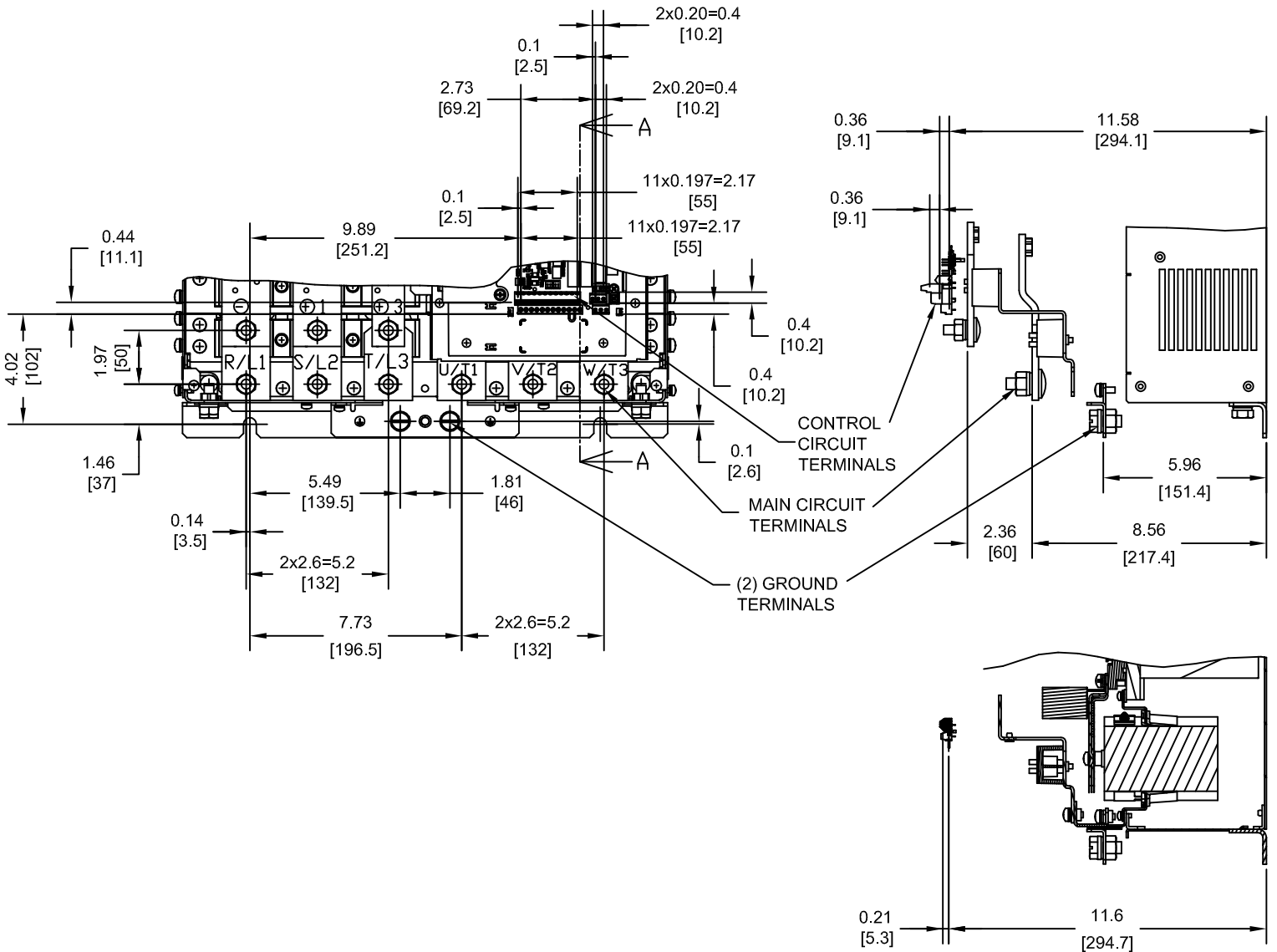
NOTE:
XX DENOTES AA-ZZ

INT=INTERNAL COMPONENTS
EXT=EXTERNAL HEATSINK
TOT=TOTAL

FOR ADDITIONAL DETAILS AND SPECIFICATIONS, CONSULT MANUAL

TOLERANCES / REFERENCES:		<p>THIS DOCUMENT AND INFORMATION CONTAINED IN IT ARE CONFIDENTIAL, AND CANNOT BE COPIED OR DISCLOSED IN WHOLE OR IN PART WITHOUT THE EXPRESS WRITTEN CONSENT OF YASKAWA AMERICA, INC.</p>	DRAWN: J. MATTAS DATE: 2-4-14	TITLE: Z1000 600V DIMENSION FRAME SIZE 11 IP00 ENCLOSURE 5A0125, 5A0145
			CHECKED: J. PIOTROWSKI DATE: 2-21-14	SIZE: A REVISION: R00 PAGE: 1 of 3
			TECH: J. BORJA DATE: 2-24-14	DRAWING #: DD.Z1K6.FR11.IP00
UNITS: IN [mm]	SCALE: 1:15		APPROVED: J. CAIRO DATE: 2-26-14	ORIGINAL DESIGN: -

TERMINAL AND WIRING DETAILS (SCALE 1:6)



SECTION A-A

TERMINAL AND WIRE SPECIFICATIONS FOR MAIN CIRCUIT AND GROUND

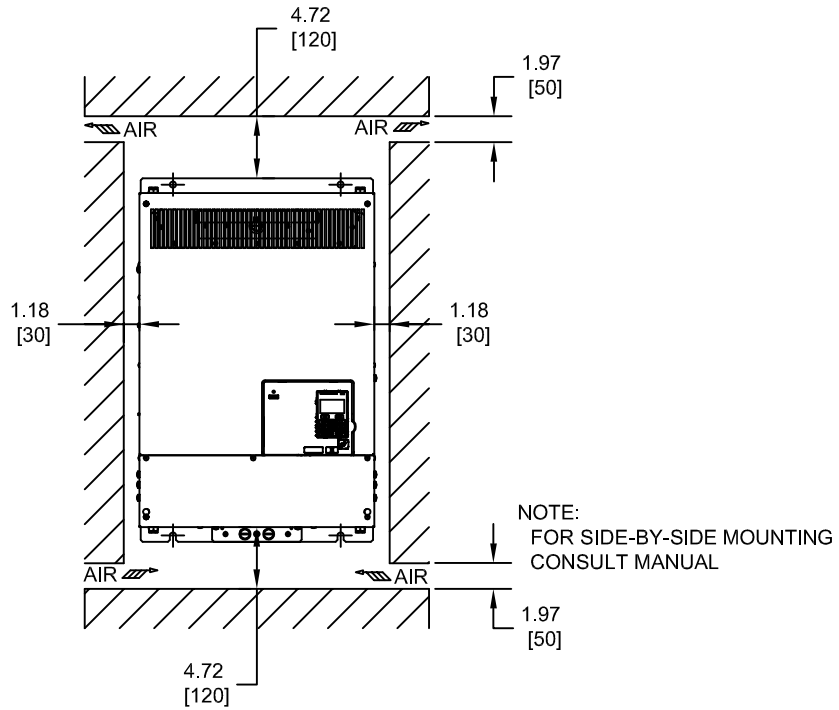
MODEL # CIMR-ZU	TERMINAL SYMBOL	TERMINAL SCREW	CLAMPING TORQUE lb.in.(N.m.)
5A0125 5A0145	R/L1, S/L2, T/L3	M10	159.3 TO 203.6 (18 TO 23)
	U/T1, V/T2, W/T3		
	⊖, ⊕1	M10	
	⊕3		
	⊕		

NOTE: REFER TO APPLICABLE CODES FOR PROPER WIRE TYPE AND SIZE

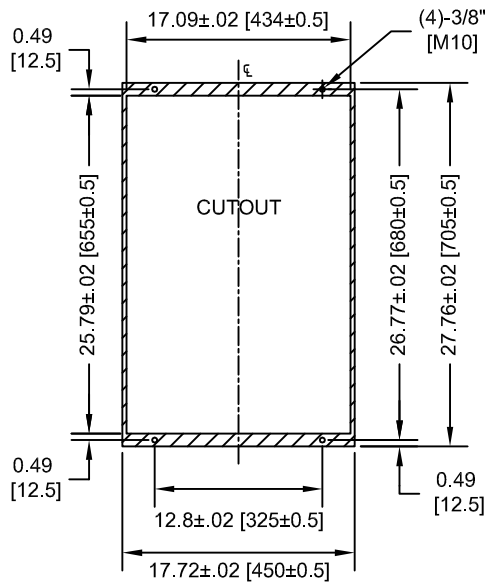
FOR ADDITIONAL DETAILS AND SPECIFICATIONS, CONSULT MANUAL

TOLERANCES / REFERENCES:			DRAWN: J. MATTAS DATE: 2-4-14	TITLE: Z1000 600V DIMENSION FRAME SIZE 11 IP00 ENCLOSURE 5A0125, 5A0145
UNITS: IN[mm]			CHECKED: J. PIOTROWSKI DATE: 2-21-14	SIZE: A
SCALE: BY VIEW		THIS DOCUMENT AND INFORMATION CONTAINED IN IT ARE CONFIDENTIAL, AND CANNOT BE COPIED OR DISCLOSED IN WHOLE OR IN PART WITHOUT THE EXPRESS WRITTEN CONSENT OF YASKAWA AMERICA, INC.	TECH: J. BORJA DATE: 2-24-14	PAGE: 2 of 3
		APPROVED: J. CAIRO DATE: 2-26-14	ORIGINAL DESIGN: -	DRAWING #: DD.Z1K6.FR11.IP00

MINIMUM INSTALLATION CLEARANCES (SCALE 1:15)



PANEL CUTOUT FOR EXTERNAL HEATSINK MOUNTING CONFIGURATION (SCALE 1:15)



NOTE:
EXPOSED HEATSINK DEPTH
D=5.12" MINUS PANEL THICKNESS

FOR ADDITIONAL DETAILS AND SPECIFICATIONS, CONSULT MANUAL

TOLERANCES / REFERENCES:			DRAWN: J. MATTAS CHECKED: J. PIOTROWSKI TECH: J. BORJA APPROVED: J. CAIRO ORIGINAL DESIGN: -	DATE 2-4-14 DATE 2-21-14 DATE 2-24-14 DATE 2-26-14 DATE -	TITLE: Z1000 600V DIMENSION DRAWING FRAME SIZE 11 IP00 ENCLOSURE 5A0125, 5A0145
UNITS: IN [mm]	SCALE: BY VIEW		THIS DOCUMENT AND INFORMATION CONTAINED IN IT ARE CONFIDENTIAL, AND CANNOT BE COPIED OR DISCLOSED IN WHOLE OR IN PART WITHOUT THE EXPRESS WRITTEN CONSENT OF YASKAWA AMERICA, INC.	SIZE A REVISION R00 PAGE 3 of 3	DRAWING #: DD.Z1K6.FR11.IP00