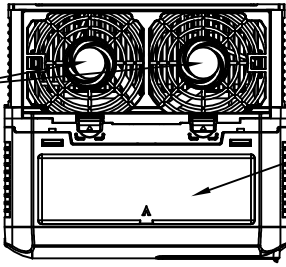
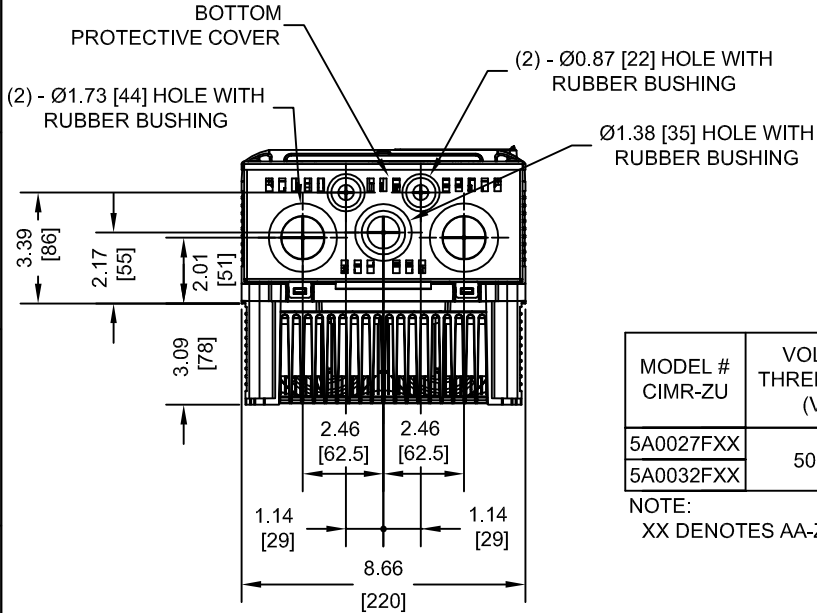
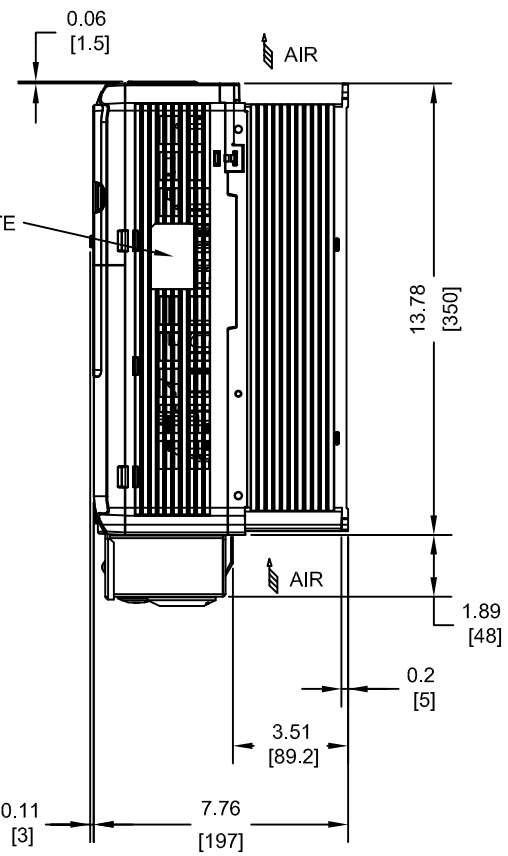
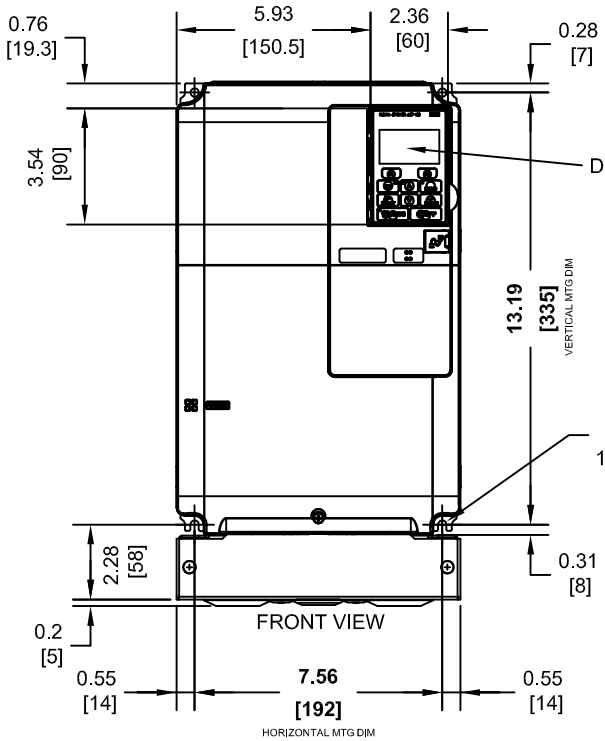


(2) EXTERNAL COOLING FANS



TOP PROTECTIVE COVER

NOTE:
 PROTECTIVE COVERS ARE FACTORY INSTALLED TO THE TOP AND BOTTOM OF THE DRIVE TO MEET IP20 & NEMA TYPE 1 REQUIREMENTS, RESULTING IN AN AMBIENT TEMPERATURE RATING OF 104F(40C). REMOVE THESE COVERS WHEN OPERATING THE DRIVE WITHIN A PANEL TO OBTAIN THE MAXIMUM SURROUNDING AIR TEMPERATURE RATING OF 122F(50C). REMOVING THESE COVERS RESULTS IN AN ENCLOSURE RATING OF IP00.



MODEL # CIMR-ZU	VOLTAGE THREE-PHASE (VAC)	OUTPUT CURRENT (A)	WEIGHT LBS (Kg)	HEAT LOSS (W) (Fc=2kHz)		
				INT	EXT	TOT
5A0027FXX	500/600	27.0	19.1 (8.7)	227.2	132.1	359.3
5A0032FXX		32.0	19.1 (8.7)	279.9	141.6	421.5

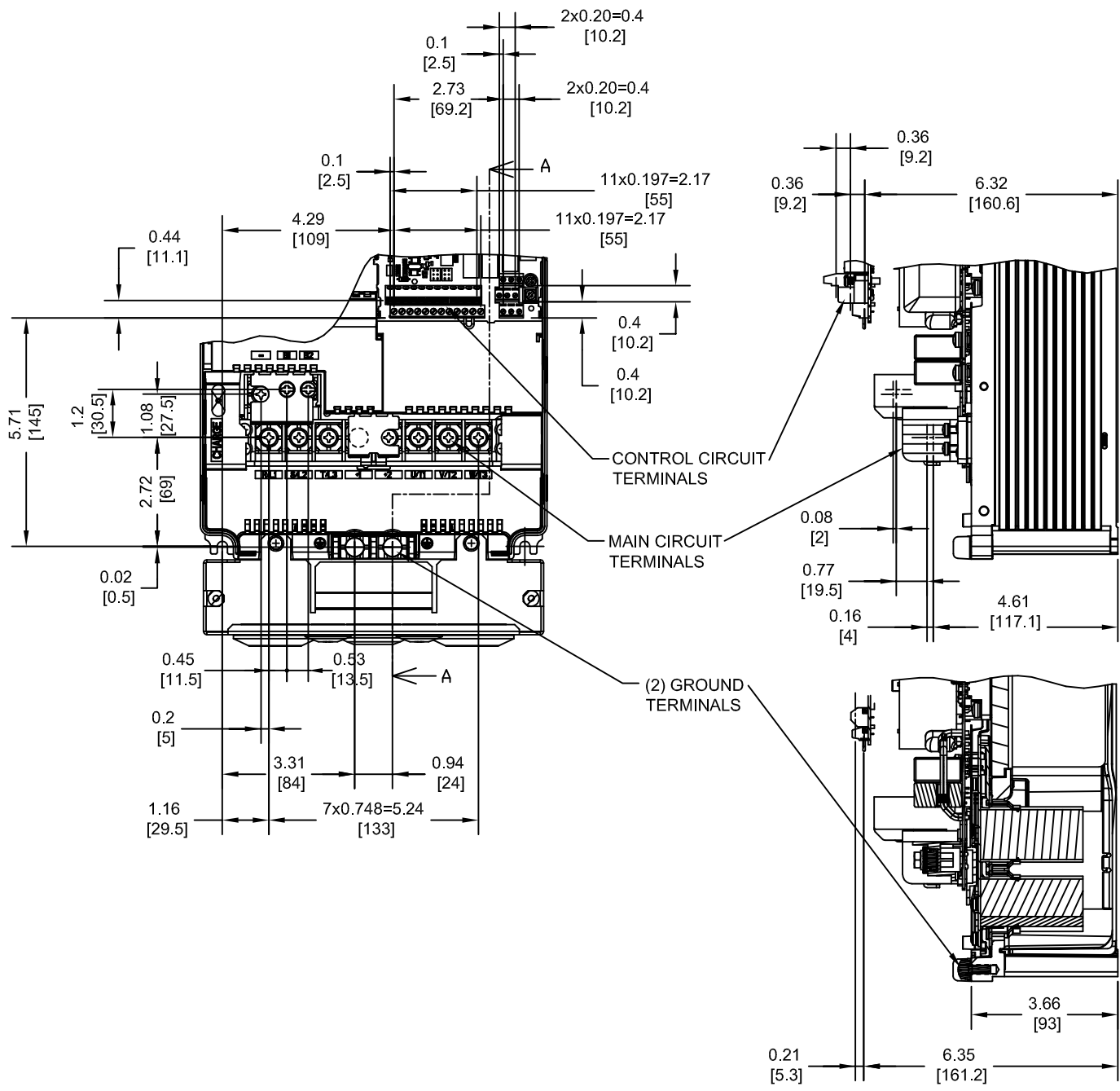
NOTE:
 XX DENOTES AA-ZZ

INT=INTERNAL COMPONENTS
 EXT=EXTERNAL HEATSINK
 TOT=TOTAL

FOR ADDITIONAL DETAILS AND SPECIFICATIONS, CONSULT MANUAL

TOLERANCES / REFERENCES:		<p>THIS DOCUMENT AND INFORMATION CONTAINED IN IT ARE CONFIDENTIAL, AND CANNOT BE COPIED OR DISCLOSED IN WHOLE OR IN PART WITHOUT THE EXPRESS WRITTEN CONSENT OF YASKAWA AMERICA, INC.</p>	DRAWN: J. MATTAS DATE: 2-3-14	TITLE: Z1000 600V DIMENSION DRAWING FRAME SIZE 6 NEMA TYPE 1 ENCLOSURE 5A0027, 5A0032
UNITS: IN [mm]			CHECKED: J. PIOTROWSKI DATE: 2-21-14	SIZE: A REVISION: R00 PAGE: 1 of 3
SCALE: 1:6			TECH: J. BORJA DATE: 2-24-14	DRAWING #: DD.Z1K6.FR6.N1
			APPROVED: J. CAIRO DATE: 2-26-14	

TERMINAL AND WIRING DETAILS (SCALE 1:4)



TERMINAL AND WIRE SPECIFICATIONS FOR MAIN CIRCUIT AND GROUND

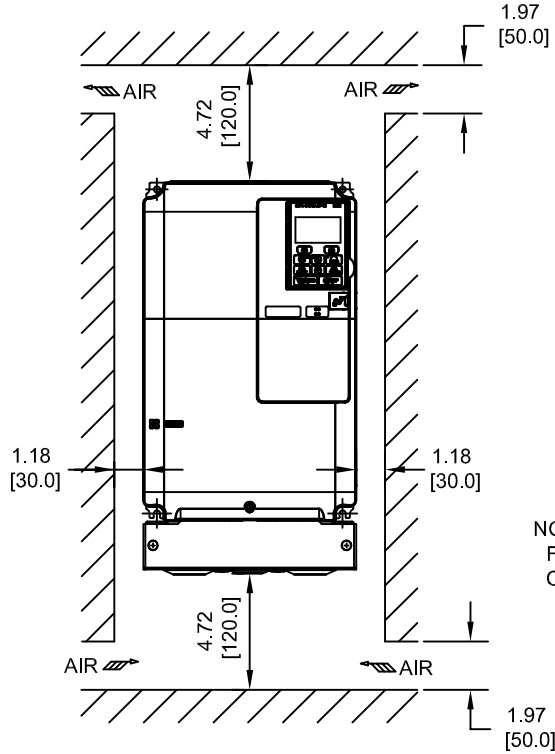
MODEL # CIMR-ZU	TERMINAL SYMBOL	TERMINAL SCREW	CLAMPING TORQUE lb.in.(N.m.)	WIRE RANGE AWG(mm ²)
5A0027 5A0032	R/L1, S/L2, T/L3, U/T1, V/T2, W/T3, ⊖, ⊕1, ⊕2,	M6	35.4 TO 53.1 (4 TO 6)	6-4 (16-25)
	B1, B2	M5	17.7 TO 22.1 (2 TO 2.5)	10-8 (6.0-10)
	⊕	M6	35.4 TO 53.1 (4 TO 6)	8-6 (10-16)

NOTE: REFER TO APPLICABLE CODES FOR PROPER WIRE TYPE AND SIZE

FOR ADDITIONAL DETAILS AND SPECIFICATIONS, CONSULT MANUAL

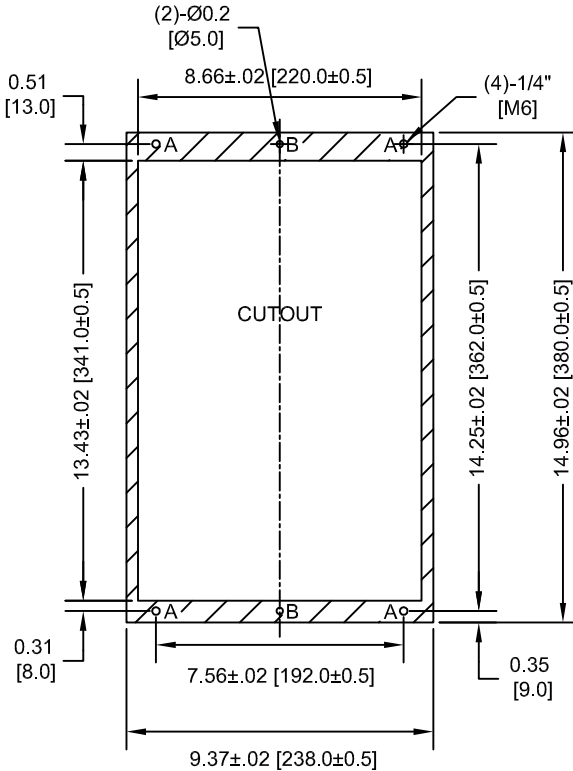
TOLERANCES / REFERENCES:		<p>THIS DOCUMENT AND INFORMATION CONTAINED IN IT ARE CONFIDENTIAL, AND CANNOT BE COPIED OR DISCLOSED IN WHOLE OR IN PART WITHOUT THE EXPRESS WRITTEN CONSENT OF YASKAWA AMERICA, INC.</p>	DRAWN: J. MATTAS DATE: 2-3-14	TITLE: Z1000 600V DIMENSION FRAME SIZE 6 NEMA TYPE 1 ENCLOSURE 5A0027, 5A0032
UNITS: IN [mm]			CHECKED: J. PIOTROWSKI DATE: 2-21-14	SIZE: A REVISION: R00 PAGE: 2 of 3
SCALE: BY VIEW			TECH: J. BORJA DATE: 2-24-14	ORIGINAL DESIGN: - DATE: -
			APPROVED: J. CAIRO DATE: 2-26-14	DRAWING #: DD.Z1K6.FR6.N1

MINIMUM INSTALLATION CLEARANCES (SCALE 1:8)



NOTE:
FOR SIDE-BY-SIDE MOUNTING
CONSULT MANUAL

PANEL CUTOUT FOR EXTERNAL HEATSINK
MOUNTING CONFIGURATION (SCALE 1:6)



NOTES:

- EXTERNAL HEATSINK CONFIGURATION REQUIRES MOUNTING KIT
- EXPOSED HEATSINK RECOMMENDED CLEARANCE D=3.35" MINUS PANEL THICKNESS

FOR ADDITIONAL DETAILS AND SPECIFICATIONS, CONSULT MANUAL

TOLERANCES / REFERENCES:			DRAWN: J. MATTAS	DATE: 2-3-14	TITLE: Z1000 600V DIMENSION DRAWING FRAME SIZE 6 NEMA TYPE 1 ENCLOSURE 5A0027, 5A0032		
			CHECKED: J. PIOTROWSKI	DATE: 2-21-14	SIZE: A	REVISION: R00	PAGE: 3 of 3
		THIS DOCUMENT AND INFORMATION CONTAINED IN IT ARE CONFIDENTIAL, AND CANNOT BE COPIED OR DISCLOSED IN WHOLE OR IN PART WITHOUT THE EXPRESS WRITTEN CONSENT OF YASKAWA AMERICA, INC.			TECH: J. BORJA	DATE: 2-24-14	
					APPROVED: J. CAIRO	DATE: 2-26-14	
UNITS: IN [mm]	SCALE: BY VIEW				ORIGINAL DESIGN: -	DATE: -	DRAWING #: DD.Z1K6.FR6.N1