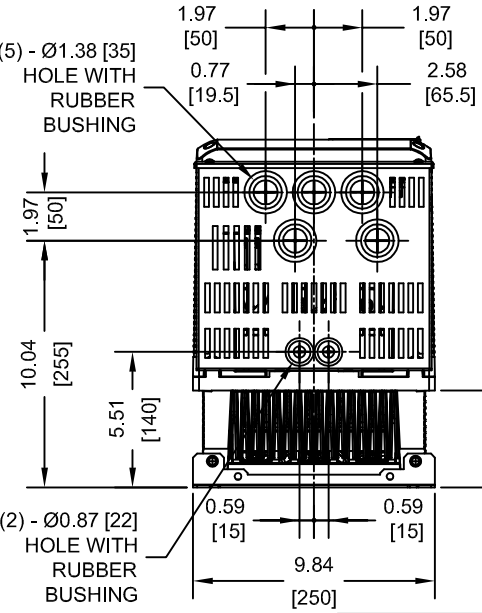
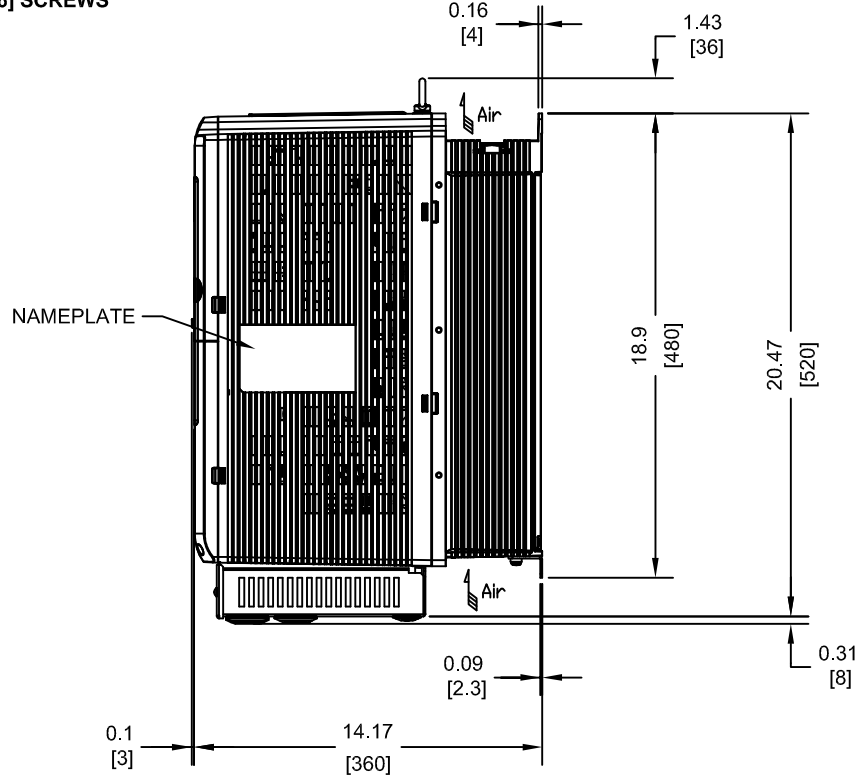
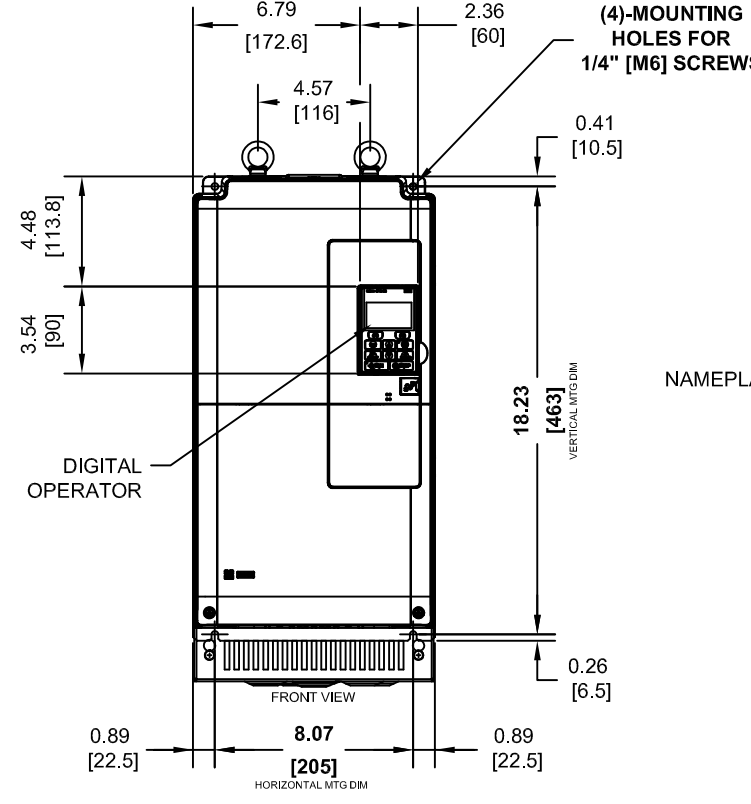
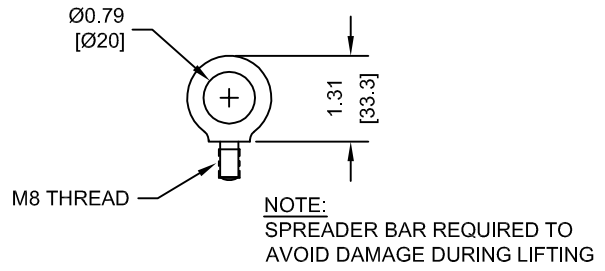


LIFTING AND EYEBOLT DETAILS



THE DIMENSIONS SHOWN ARE FOR AN IP00 OPEN TYPE DRIVE THAT HAS BEEN CONVERTED TO A NEMA TYPE 1 DRIVE BY ADDING THE PARTS FROM NEMA 1 KIT PART NUMBER EZZ022745A

MODEL # CIMR-ZU	VOLTAGE 3-PHASE (VAC)	OUTPUT CURRENT (A)	WEIGHT LBS (Kg)	WEIGHT WITHOUT EMC FILTER LBS (Kg)	HEAT LOSS (W) (Fc=4kHz)		
					INT	EXT	TOT
2□0028□□□	200/240	28	50 (22)	47 (21)	103	659	762
4□0011□□□	380/480*	11	50 (22)	47 (21)	80	452	532
4□0014□□□		14	50 (22)	47 (21)	79	459	538
4□0021□□□		21	50 (22)	47 (21)	105	641	746
4□0027□□□		27	50 (22)	47 (21)	106	675	781
4□0034□□□		34	50 (22)	47 (21)	124	798	922

NOTES:

- DENOTES A-Z
- DENOTES AAA-ZZZ
- * - FOR MODELS WITHOUT INTEGRAL EMC FILTER, VOLTAGE RATING IS 380/500.

INT=INTERNAL COMPONENTS
EXT=EXTERNAL HEATSINK
TOT=TOTAL

FOR ADDITIONAL DETAILS AND SPECIFICATIONS, CONSULT MANUAL

TOLERANCES / REFERENCES:



THIS DOCUMENT AND INFORMATION CONTAINED IN IT ARE CONFIDENTIAL, AND CANNOT BE COPIED OR DISCLOSED IN WHOLE OR IN PART WITHOUT THE EXPRESS WRITTEN CONSENT OF YASKAWA AMERICA, INC.

DRAWN: J. MATTAS	DATE 4-7-15
CHECKED: J. PIOTROWSKI	DATE 4-7-15
TECH: J. BORJA	DATE 4-7-15
APPROVED: J. CAIRO	DATE 4-30-15
ORIGINAL DESIGN:	DATE

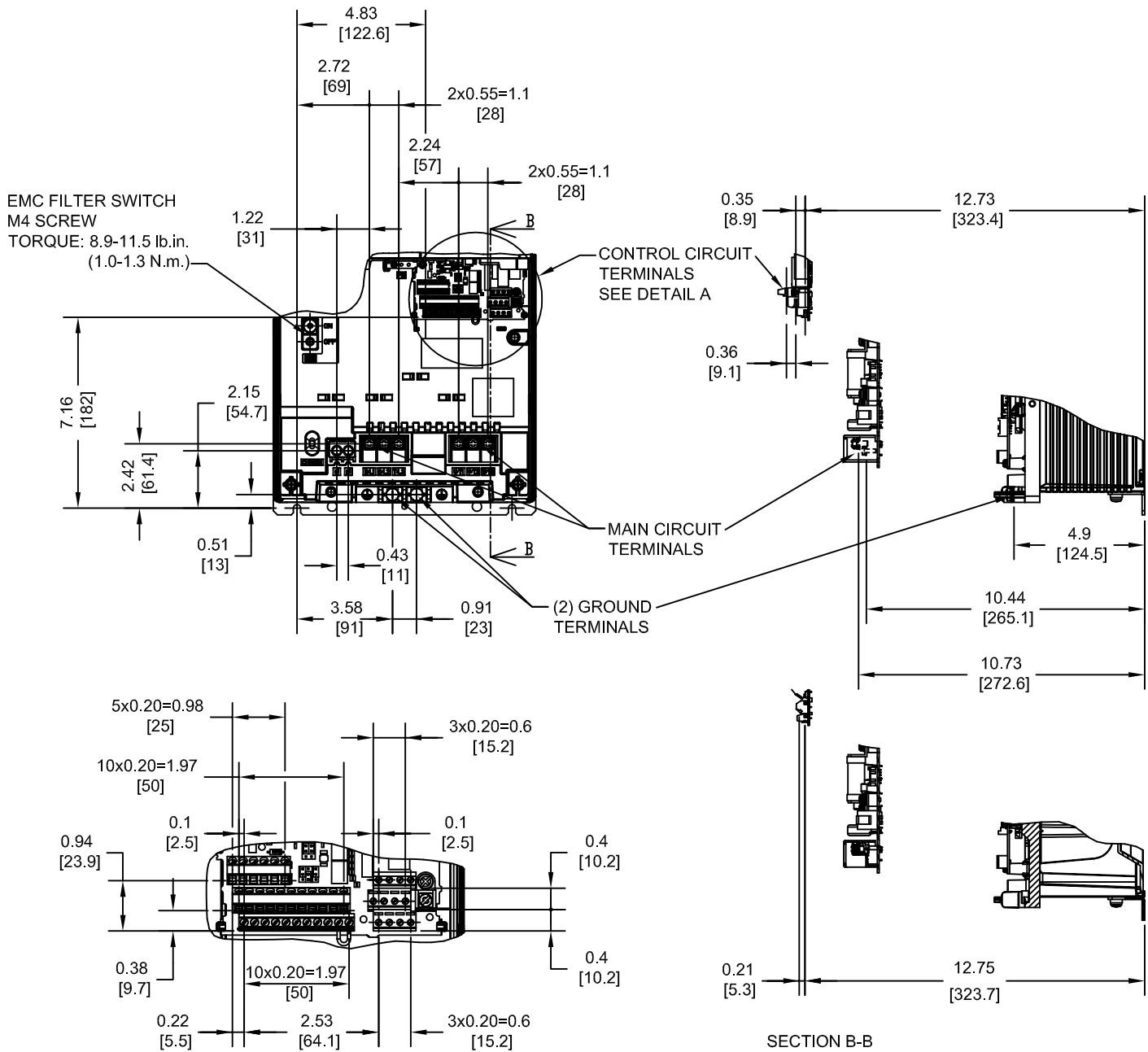
TITLE:
Z1000U DIMENSION DRAWING
FRAME SIZE 1
NEMA TYPE 1 ENCLOSURE
2□0028 AND 4□0011 - 4□0034

SIZE A	REVISION R00	PAGE 1 of 3
-----------	-----------------	----------------

DRAWING #:
DD.Z1KU.FR1.N1

UNITS: IN[mm]
SCALE: 1:8

TERMINAL AND WIRING DETAILS (SCALE 1:6)



DETAIL A (SCALE 1:3)
CONTROL CIRCUIT TERMINALS

TERMINAL AND WIRE SPECIFICATIONS FOR
MAIN CIRCUIT AND GROUND

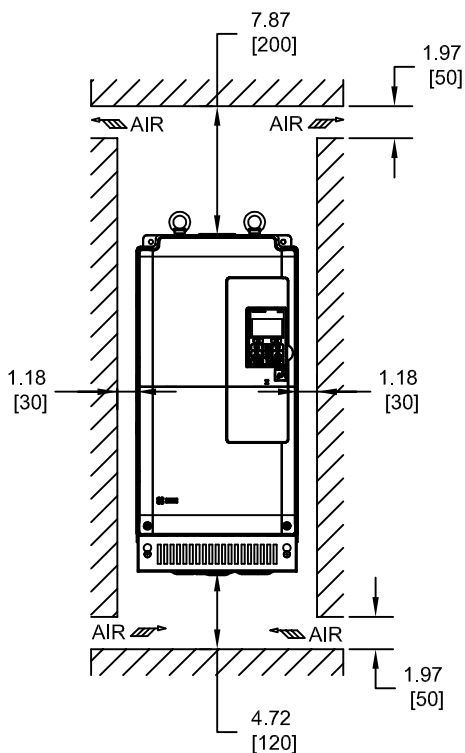
MODEL # CIMR-ZU	TERMINAL SYMBOL	TERMINAL SCREW	CLAMPING TORQUE lb.in.(N.m.)	WIRE RANGE AWG(mm ²)
2□0028	R/L1, S/L2, T/L3	M5	20.4 TO 23.9 (2.3 TO 2.7)	14 TO 8 (2.5 TO 10)
4□0011	U/T1, V/T2, W/T3			
4□0014	p1, n1	M4	8.9 TO 12.4 (1 TO 1.4)	14 TO 12 (2.5 TO 4)
4□0021				
4□0027	⊕	M6	34.7 TO 43.4 (3.9 TO 4.9)	10 TO 6 (6 TO 16)
4□0034				

NOTE: REFER TO APPLICABLE CODES FOR PROPER WIRE TYPE AND SIZE

FOR ADDITIONAL DETAILS AND SPECIFICATIONS, CONSULT MANUAL

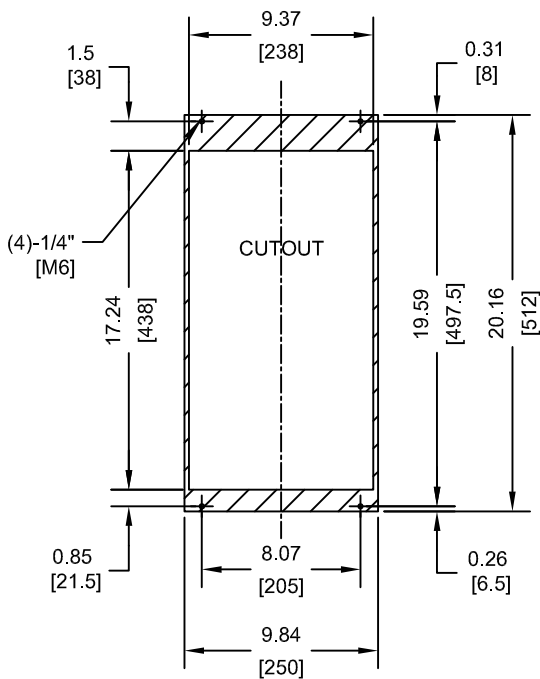
TOLERANCES / REFERENCES:			DRAWN: J. MATTAS DATE 4-7-15	TITLE: Z1000U DIMENSION DRAWING FRAME SIZE 1 NEMA TYPE 1 ENCLOSURE 2□0028 AND 4□0011 - 4□0034
UNITS: IN[mm]	SCALE: BY VIEW		CHECKED: J. PIOTROWSKI DATE 4-7-15	DATE 4-7-15
THIS DOCUMENT AND INFORMATION CONTAINED IN IT ARE CONFIDENTIAL, AND CANNOT BE COPIED OR DISCLOSED IN WHOLE OR IN PART WITHOUT THE EXPRESS WRITTEN CONSENT OF YASKAWA AMERICA, INC.		TECH: J. BORJA DATE 4-7-15	DATE 4-30-15	SIZE A
		APPROVED: J. CAIRO DATE 4-30-15	DATE -	REVISION R00
		ORIGINAL DESIGN: -	DATE -	PAGE 2 of 3
		DRAWING #: DD.Z1KU.FR1.N1		

MINIMUM INSTALLATION CLEARANCES (SCALE 1:12)



NOTE:
FOR SIDE-BY-SIDE MOUNTING
CONSULT MANUAL

PANEL CUTOUT FOR EXTERNAL HEATSINK
MOUNTING CONFIGURATION (SCALE 1:10)



NOTES:
1. EXTERNAL HEATSINK
CONFIGURATION REQUIRES
MOUNTING KIT
2. EXPOSED HEATSINK
RECOMMENDED CLEARANCE
D=4.72"

FOR ADDITIONAL DETAILS AND SPECIFICATIONS, CONSULT MANUAL

TOLERANCES / REFERENCES:			DRAWN: J. MATTAS DATE: 4-7-15	TITLE: Z1000U DIMENSION DRAWING FRAME SIZE 1 NEMA TYPE 1 ENCLOSURE 2□0028 AND 4□0011 - 4□0034
			CHECKED: J. PIOTROWSKI DATE: 4-7-15	DATE: 4-7-15
		THIS DOCUMENT AND INFORMATION CONTAINED IN IT ARE CONFIDENTIAL, AND CANNOT BE COPIED OR DISCLOSED IN WHOLE OR IN PART WITHOUT THE EXPRESS WRITTEN CONSENT OF YASKAWA AMERICA, INC.	TECH: J. BORJA DATE: 4-7-15	DATE: 4-7-15
UNITS: IN[mm]	SCALE: BY VIEW		APPROVED: J. CAIRO DATE: 4-30-15	ORIGINAL DESIGN: - DATE: -
			SIZE: A REVISION: R00 PAGE: 3 of 3	DRAWING #: DD.Z1KU.FR1.N1