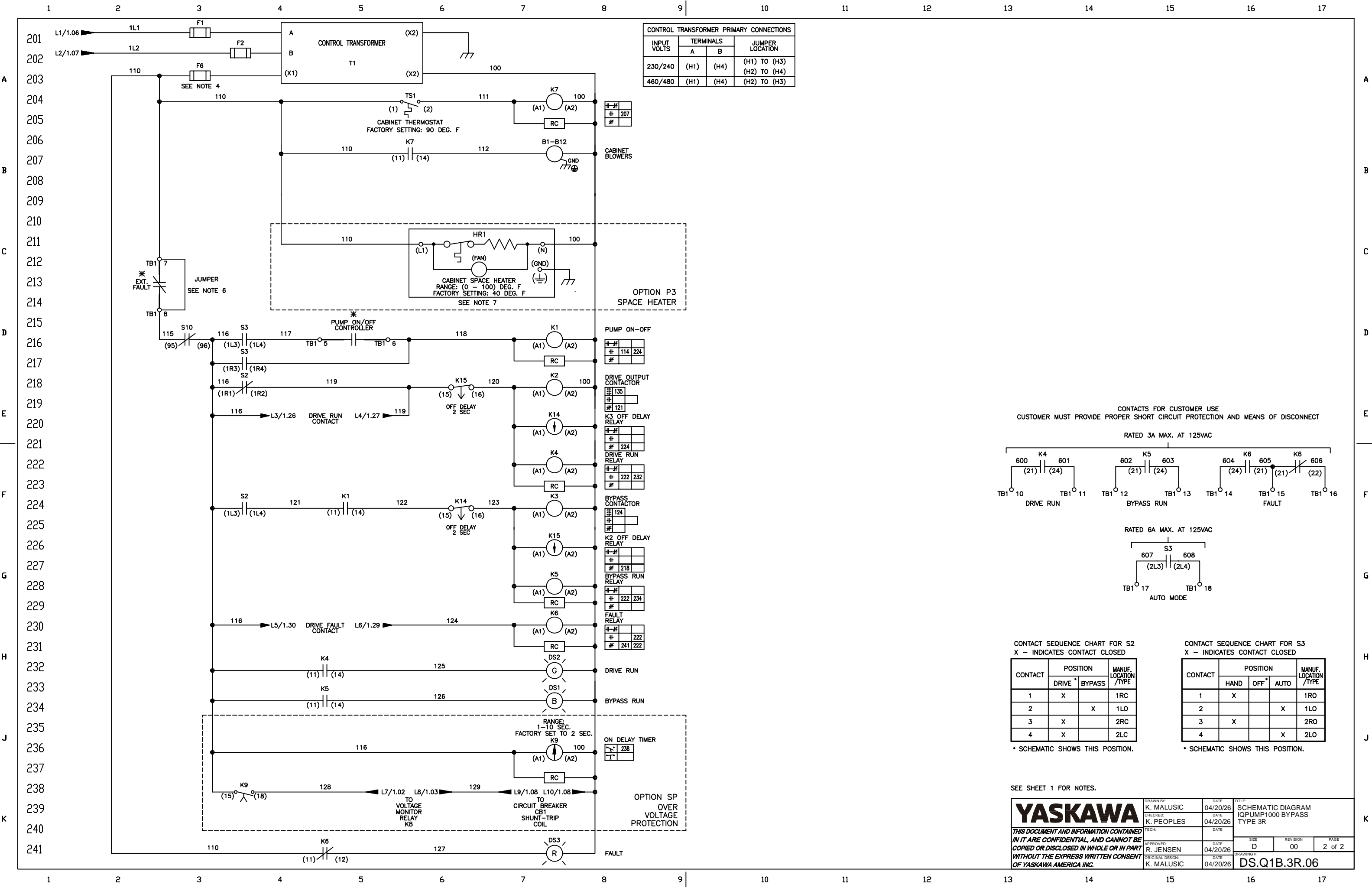


\* - INDICATES COMPONENTS NOT SUPPLIED BY YASKAWA.  
 --- - INDICATES CUSTOMER WIRING.  
 ⊕ - CONNECTED TO THE CABINET OR PANEL.

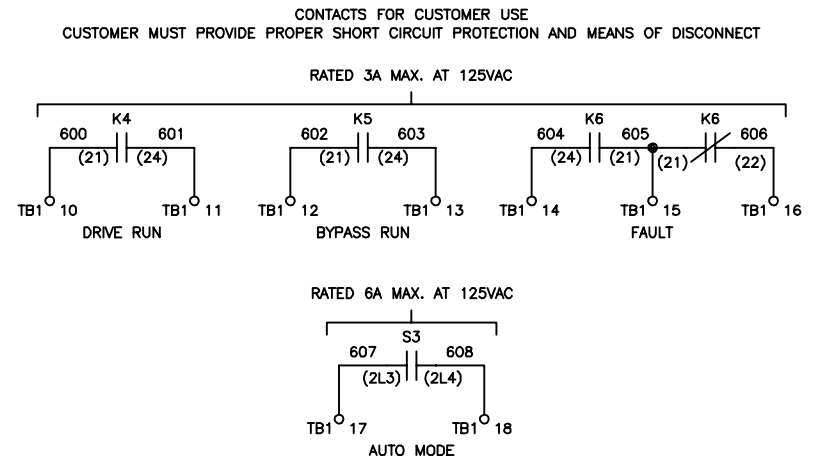
- NOTES:
- FACTORY CONNECTION POINT ON DRIVE A1.
  - 1. CONNECTED TO THE CABINET. CUSTOMER TO CONNECT THE CABINET GROUND LUGS TO EARTH GROUND AND UTILITY GROUND.
  - 2. CONDUIT FITTINGS/HUBS SHALL COMPLY WITH THE 'STANDARD FOR CONDUIT, TUBING AND CABLE FITTINGS, UL514B', OR CONDUIT FITTINGS HAVING THE SAME ENVIRONMENTAL RATING AS THE ENCLOSURE SHALL BE USED.
  - 3. INSULATED TWISTED SHIELDED WIRE IS REQUIRED. SHIELD TO CONNECT TO PROPER TERMINALS AS SHOWN. CONNECT THE SHIELD ONLY AT THIS END. STUB AND ISOLATE THE OTHER END. DO NOT RUN THESE WIRES IN THE THE SAME CONDUIT AS THE AC POWER AND AC CONTROL WIRES. KEEP ALL WIRING UNDER 50 METERS IN LENGTH.
  - 4. FOR A CONTROL TRANSFORMER T1 POWER RATING OF 350VA OR GREATER, SECONDARY FUSE F6 IS ADDED.
  - 5. THE MOTOR OVERLOAD RELAY IS FACTORY SET FOR MANUAL RESET. CUSTOMER TO ADJUST THE MOTOR OVERLOAD RELAY TRIP SETTING FOR THE ACTUAL AC MOTOR'S FULL LOAD AMPS.
  - 6. REMOVE THE JUMPER AND INSERT A NORMALLY CLOSED EXTERNAL FAULT CONTACT, IF REQUIRED.
  - 7. CUSTOMER TO ADJUST THE THERMOSTAT ON THE SPACE HEATER HR1 FOR THE MINIMUM DESIRED TEMPERATURE INSIDE THE DRIVE CABINET. THIS SET TEMPERATURE IS NORMALLY SELECTED TO BE SLIGHTLY HIGHER THAN THE MINIMUM AMBIENT TEMPERATURE OF THE AIR SURROUNDING THE CABINET, AND IS THE TEMPERATURE AT WHICH THE SPACE HEATER HR1 WILL SHUT OFF.

REV.	DESCRIPTION	ECO #	DRAWN BY	DATE
00	INITIAL RELEASE	-	KM	04/20/26

<b>YASKAWA</b>		DRAWN BY K. MALUSIC	DATE 04/20/26	TITLE SCHEMATIC DIAGRAM IQPUMP1000 BYPASS TYPE 3R
		CHECKED BY K. PEOPLES	DATE 04/20/26	
		APPROVED BY R. JENSEN	DATE 04/20/26	SIZE D
		ORIGINAL DESIGN K. MALUSIC	DATE 04/20/26	REVISION 00
				PAGE 1 of 2
				DRAWING # DS.Q1B.3R.06



INPUT VOLTS	TERMINALS		JUMPER LOCATION
	A	B	
230/240	(H1)	(H4)	(H1) TO (H3) (H2) TO (H4)
460/480	(H1)	(H4)	(H2) TO (H3)



CONTACT SEQUENCE CHART FOR S2  
X - INDICATES CONTACT CLOSED

CONTACT	POSITION		MANUF. LOCATION /TYPE
	DRIVE	BYPASS	
1	X		1RC
2		X	1LO
3	X		2RC
4	X		2LC

\* SCHEMATIC SHOWS THIS POSITION.

CONTACT SEQUENCE CHART FOR S3  
X - INDICATES CONTACT CLOSED

CONTACT	POSITION			MANUF. LOCATION /TYPE
	HAND	OFF	AUTO	
1	X			1RO
2			X	1LO
3	X			2RO
4			X	2LO

\* SCHEMATIC SHOWS THIS POSITION.

SEE SHEET 1 FOR NOTES.

<b>YASKAWA</b>	DRAWN BY: K. MALUSIC	DATE: 04/20/26	TITLE: SCHEMATIC DIAGRAM IQPUMP1000 BYPASS TYPE 3R
	CHECKED: K. PEOPLES	DATE: 04/20/26	SIZE: D REVISION: 00 PAGE: 2 of 2
APPROVED: R. JENSEN		DATE: 04/20/26	DRAWING #: DS.Q1B.3R.06
ORIGINAL DESIGN: K. MALUSIC		DATE: 04/20/26	

THIS DOCUMENT AND INFORMATION CONTAINED IN IT ARE CONFIDENTIAL, AND CANNOT BE COPIED OR DISCLOSED IN WHOLE OR IN PART WITHOUT THE EXPRESS WRITTEN CONSENT OF YASKAWA AMERICA INC.