

TABLE 1 FILTER WIRING CHART

FILTER MANUFACTURER	INPUT TERMINALS	OUTPUT TERMINALS	MFR OPTION CODE(S)	x.xx	y.yy
ARTECHE	1=U, 2=V, 3=W	4=X, 5=Y, 6=Z	BY	3.07	3.07

WIRES x.xx & y.yy ONLY REQUIRED IF MFR OPTION CODE NOTED ABOVE IS ORDERED BY THE CUSTOMER.

NOTES:

- CONNECTED TO THE CABINET. CUSTOMER TO CONNECT THE CABINET GROUND LUGS TO EARTH GROUND AND UTILITY GROUND.
- CONDUIT FITTINGS/HUBS SHALL COMPLY WITH THE STANDARD FOR CONDUIT, TUBING, AND CABLE FITTINGS, UL 514B. OR CONDUIT FITTINGS HAVING THE SAME ENVIRONMENTAL RATING AS THE ENCLOSURE SHALL BE USED.
- LIGHTNING PROTECTION OPTION P2 IS TO BE INSTALLED ON THE VOLTAGE TAP OFFS AT THE BREAKER IF REQUIRED.
- BRANCH CIRCUIT PROTECTION TO BE SUPPLIED BY THE CUSTOMER WHEN NOTED ON THE CABINET DATA NAMEPLATE.
- INSULATED TWISTED SHIELDED WIRE IS REQUIRED. SHIELD TO CONNECT TO PROPER TERMINALS AS SHOWN. CONNECT THE SHIELD ONLY AT THIS END. STUB AND ISOLATE THE OTHER END. DO NOT RUN THESE WIRES IN THE SAME CONDUIT AS THE AC POWER AND AC CONTROL WIRES. KEEP ALL WIRING UNDER 50m IN LENGTH.
- CUSTOMER TO ADJUST THE THERMOSTAT ON THE SPACE HEATER HR1 FOR THE MINIMUM DESIRED TEMPERATURE INSIDE THE DRIVE CABINET. THIS SET TEMPERATURE IS NORMALLY SELECTED TO BE SLIGHTLY HIGHER THAN THE MINIMUM AMBIENT TEMPERATURE OF THE AIR SURROUNDING THE CABINET, AND IS THE TEMPERATURE AT WHICH THE SPACE HEATER HR1 WILL SHUT OFF.
- FOR A CONTROL TRANSFORMER T1 POWER RATING OF 350VA OR GREATER, SECONDARY FUSE F6 IS ADDED.
- IF AC MOTOR IS FURNISHED WITH A N.C. THERMAL SWITCH THEN SET DRIVE PARAMETER H1-08 TO 27. THIS WILL CAUSE THE DRIVE TO COAST TO STOP UPON AN AC MOTOR THERMAL FAULT.
- ALONG WITH THIS, ADD THE FOLLOWING CUSTOMER WIRING:  
WIRE THE N.C. THERMAL SWITCH BETWEEN DRIVE TERMINALS S8 AND SN, AS PER NOTE 5 ABOVE.
- OPTIONS TD, TG, TH, TJ, TL, TO OR TV CONTROL (SEE UDE00436 FOR MORE INFORMATION)
- CUSTOMER TO REPLACE THE JUMPER WITH NORMALLY CLOSED SAFETY INTERLOCKS, IF APPLICABLE.

REV.	DESCRIPTION	ECO #	DRAWN BY	DATE
01	CORRECTED CONTACT LOCATION REFERENCE	5166	NSL	04/01/14
00	INITIAL RELEASE	-	NSL	09/23/13

REV.	DESCRIPTION	ECO #	DRAWN BY	DATE
01	CORRECTED CONTACT LOCATION REFERENCE	5166	NSL	04/01/14
00	INITIAL RELEASE	-	NSL	09/23/13

REV.	DESCRIPTION	ECO #	DRAWN BY	DATE
01	CORRECTED CONTACT LOCATION REFERENCE	5166	NSL	04/01/14
00	INITIAL RELEASE	-	NSL	09/23/13



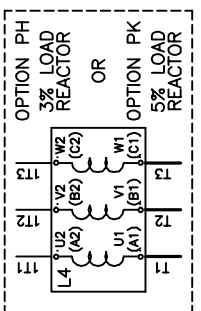
THIS DOCUMENT AND INFORMATION CONTAINED HEREIN IS CONFIDENTIAL AND SHALL BE KEPT AS SUCH. IT IS TO BE USED ONLY FOR THE PURPOSES SPECIFIED IN THE ORDER. IT IS TO BE DESTROYED OR RECYCLED UPON THE EXPIRATION OF THE TERM OF THE ORDER. WITHOUT THE EXPRESS WRITTEN CONSENT OF YASKAWA AMERICA, INC., THIS INFORMATION IS NOT TO BE DISCLOSED TO ANY OTHER PARTY.

SCHEMATIC DIAGRAM  
IQPUMP1000 CONFIGURED  
TYPE 3R - F2 ENCL.  
HARMONIC FILTER READY

\* -- INDICATES COMPONENTS NOT SUPPLIED BY YASKAWA.

SEE DRAWING UDE00436 FOR CUSTOMER CONNECTION TABLES.  
SEE DRAWING UDE00436 FOR DRIVE PARAMETER SETTINGS.

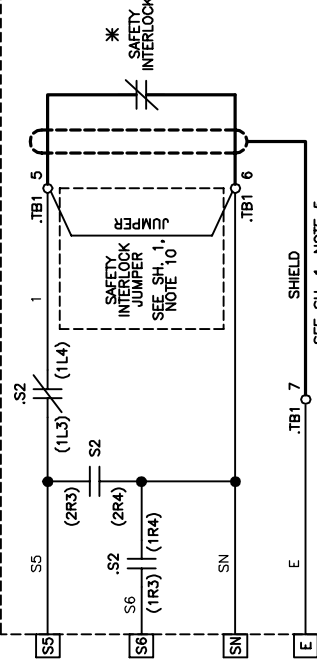
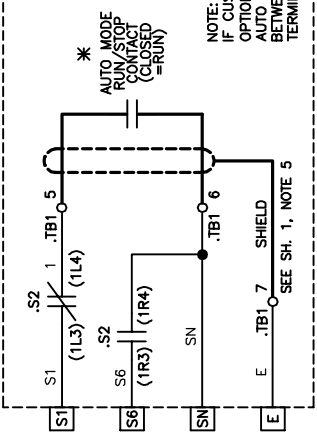
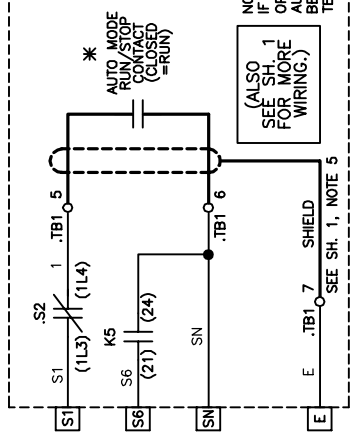
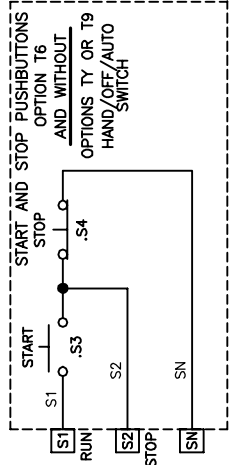
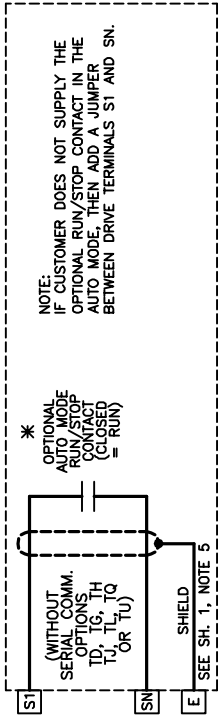
DRIVE CONTROL BOARD  
TERMINALS M3, M4  
WIRING SPECIFICATIONS  
WIRE RANGE: (26 - 16) AWG  
TIGHTENING TORQUE: (4.2 - 5.3) LB.-IN.



TERMINAL BLOCK TB1  
WIRING SPECIFICATIONS  
WIRE RANGE: (24 - 16) AWG  
TIGHTENING TORQUE: (4.4 - 5.3) LB.-IN.

NOTE:  
FOR 3 WIRE FEEDBACK  
ASSEMBLY, WIRE THE  
FEEDBACK TERMINAL  
MANUAL FOR WIRING.

RUN/STOP CONTROL (FROM SHEET 1)



CONTACT SEQUENCE CHART FOR S2  
X - INDICATES CONTACT CLOSED

CONTACT	POSITION			MANUF. LOCATION /TYPE
	HAND	OFF	AUTO	
1	X			1RO
2			X	1LO

• SCHEMATIC SHOWS THIS POSITION.

OPTION T6  
START AND STOP PUSHBUTTONS AND WITHOUT OPTIONS TY, OR PART OF OPTION T9 HAND/OFF/AUTO SWITCH

CONTACT SEQUENCE CHART FOR S2  
X - INDICATES CONTACT CLOSED

CONTACT	POSITION			MANUF. LOCATION /TYPE
	HAND	OFF	AUTO	
1	X			1RO
2			X	1LO

• SCHEMATIC SHOWS THIS POSITION.

OPTION TY, OR PART OF OPTION T9 HAND/OFF/AUTO SWITCH AND WITHOUT OPTIONS TD, TG, TH, TJ, TL, TQ OR TU SERIAL COMMUNICATIONS

CONTACT SEQUENCE CHART FOR S2  
X - INDICATES CONTACT CLOSED

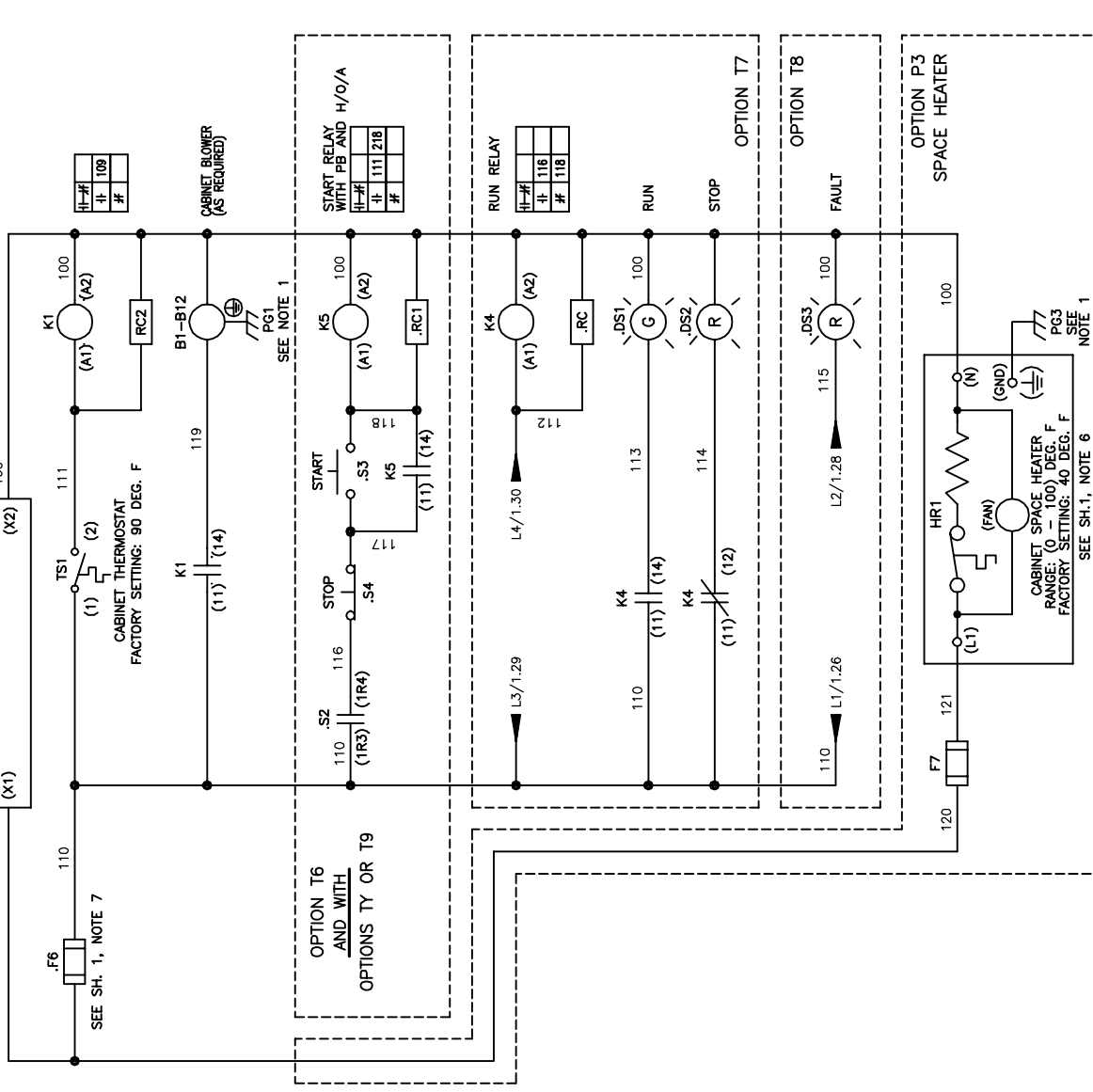
CONTACT	POSITION			MANUF. LOCATION /TYPE
	HAND	OFF	AUTO	
1	X			1RO
2			X	1LO
3	X			2RO

• SCHEMATIC SHOWS THIS POSITION.

OPTION TY, OR PART OF OPTION T9 HAND/OFF/AUTO SWITCH AND WITHOUT OPTIONS TD, TG, TH, TJ, TL, TQ OR TU SERIAL COMMUNICATIONS

CONTROL TRANSFORMER PRIMARY CONNECTIONS

INPUT VOLTS	TERMINALS		JUMPER LOCATION
	A	B	
208	(H1)	(H2)	NONE
230/240	(H1)	(H4)	(H1) TO (H3)
460/480	(H1)	(H4)	(H2) TO (H4)
800	(H1)	(H2)	(H2) TO (H3)
	(H1)	(H2)	NONE



SEE SHEET 1 FOR NOTES.



THIS DOCUMENT AND INFORMATION CONTAINED IN IT ARE CONFIDENTIAL AND CANNOT BE COPIED OR DISCLOSED IN WHOLE OR IN PART WITHOUT THE EXPRESS WRITTEN CONSENT OF YASKAWA AMERICA, INC.

DATE	09/23/13	TITLE	SCHEMATIC DIAGRAM
DESIGNED	N. LAWS	DATE	09/23/13
CHECKED	D.R. CMELAK	DATE	09/23/13
APPROVED	K. FLIERL	DATE	09/23/13
REVISION	N. LAWS	DATE	09/23/13
SIZE	D	SCALE	01
PAGE	2	TOTAL	2 of 3

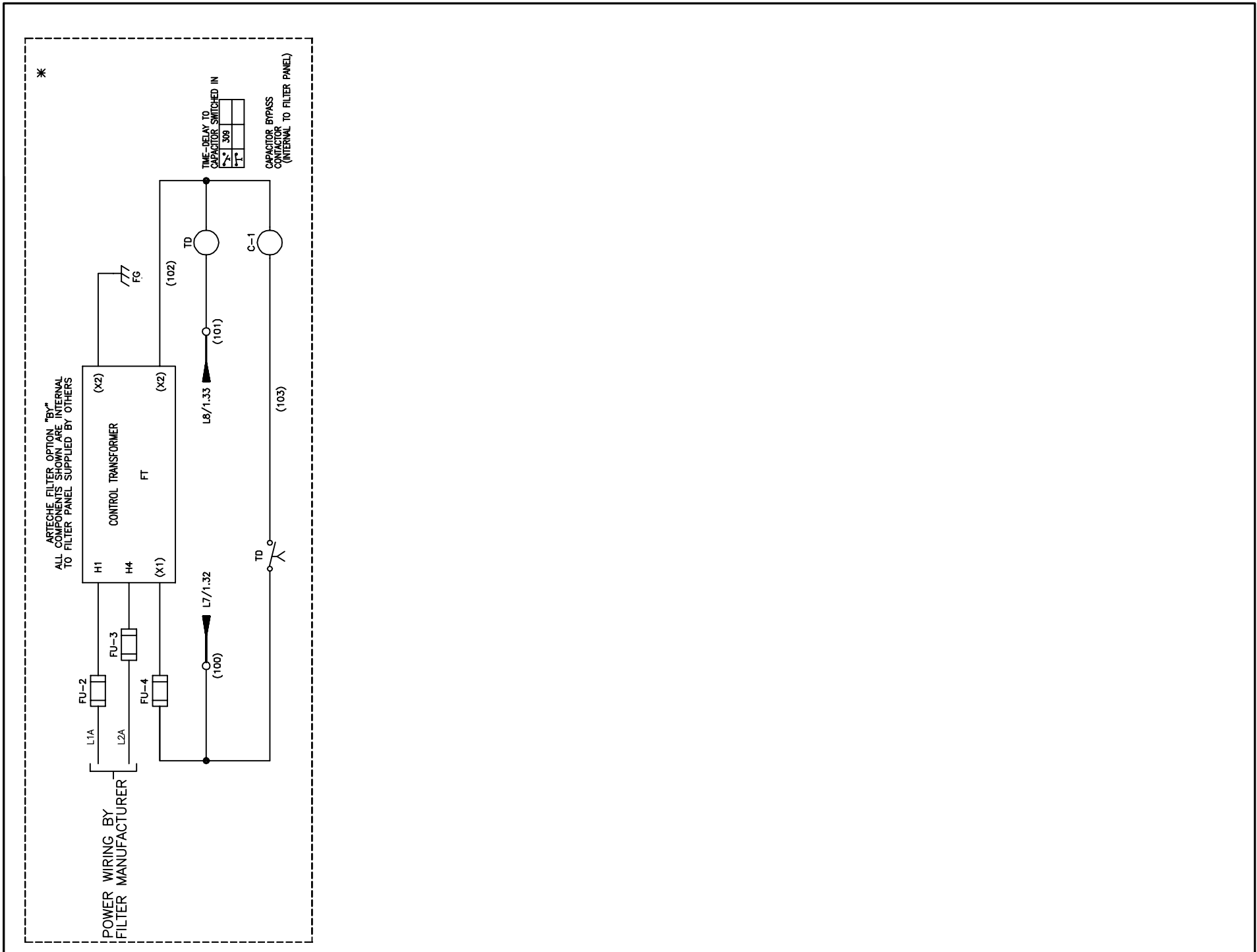


TABLE 2 ARTECHE FILTER SELECTION TABLE

BASE IQPUMP 1000 MODEL NO.	CIMR-PW4A0	CURRENT	ARTECHE LPF SERIES HARMONIC FILTER
Q1C3B477	515	477	LPF 0549 480 K_ *** 65KASCCR LG ##
Q1C3B515	515	515	LPF 0619 480 K_ *** 65KASCCR LG ##
Q1C3B590	675	590	LPF 0666 480 K_ *** 65KASCCR LG ##
Q1C3B660	675	660	LPF 0809 480 K_ *** 65KASCCR LG ##

WHERE \*\*\* = N1, N3R, or OPN; WHERE ## = BY or is blank; or - = B or S

SEE SHEET 1 FOR NOTES.



DATE	BY	REVISION	DESCRIPTION
09/23/13	N. LAWS	01	SCHEMATIC DIAGRAM
09/23/13	D.R. CMELAK	02	IQPUMP1000 CONFIGURED
09/23/13		03	TYPE 3R - F2 ENCL.
09/23/13		04	HARMONIC FILTER READY

THIS PAGE FOR CUSTOMER USE ONLY