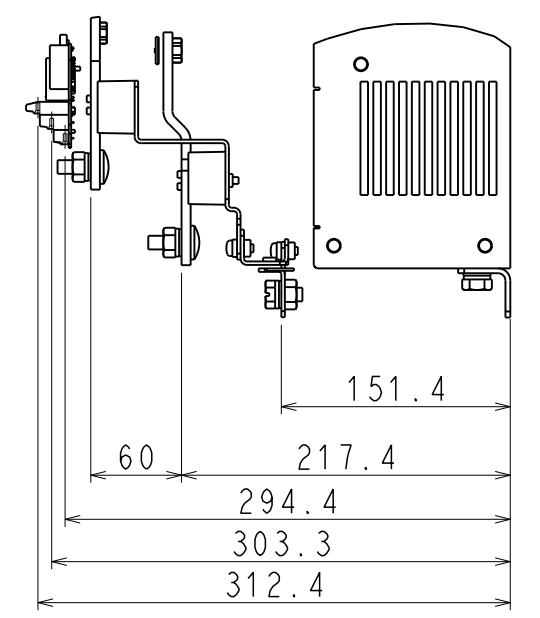
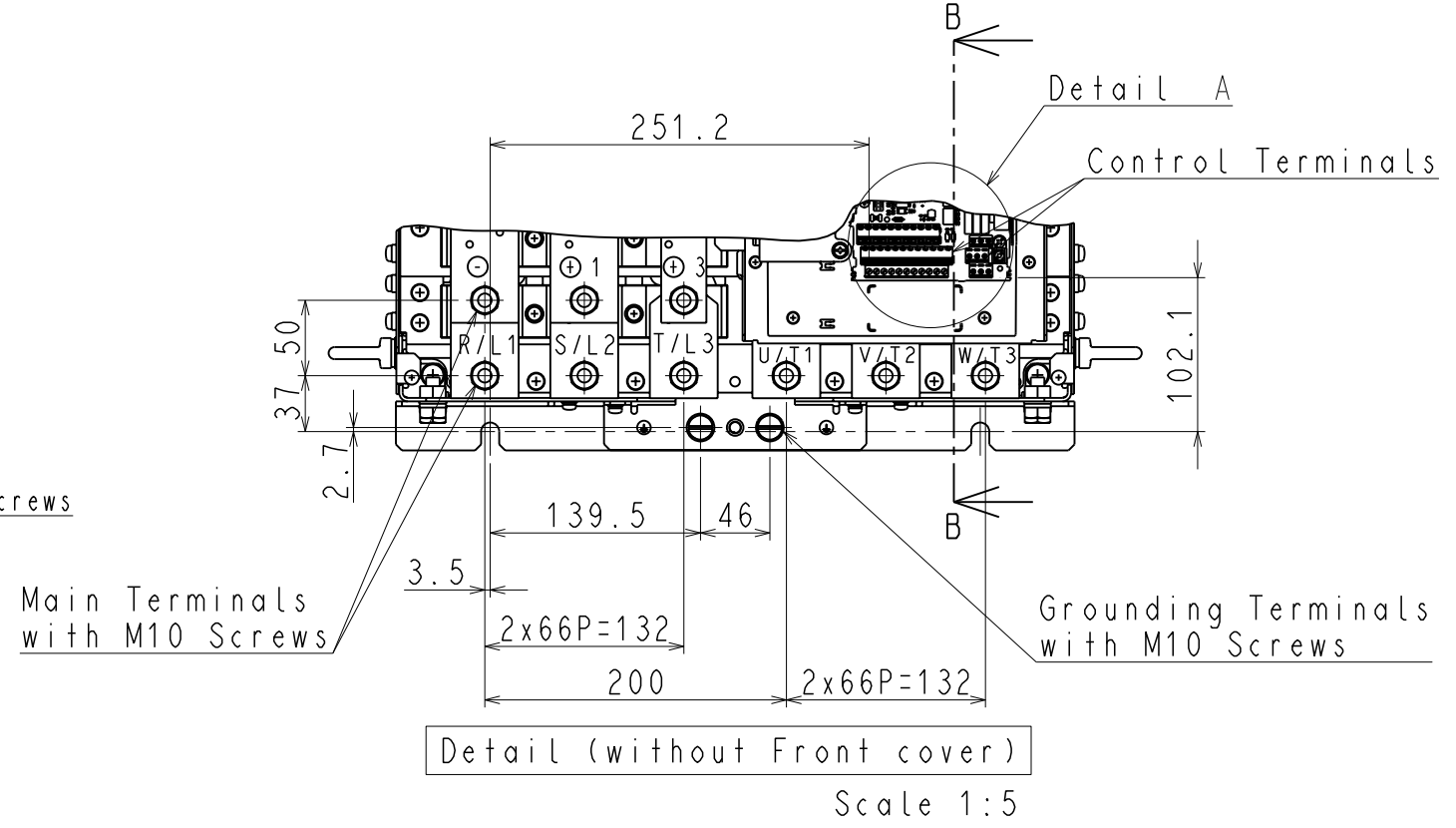
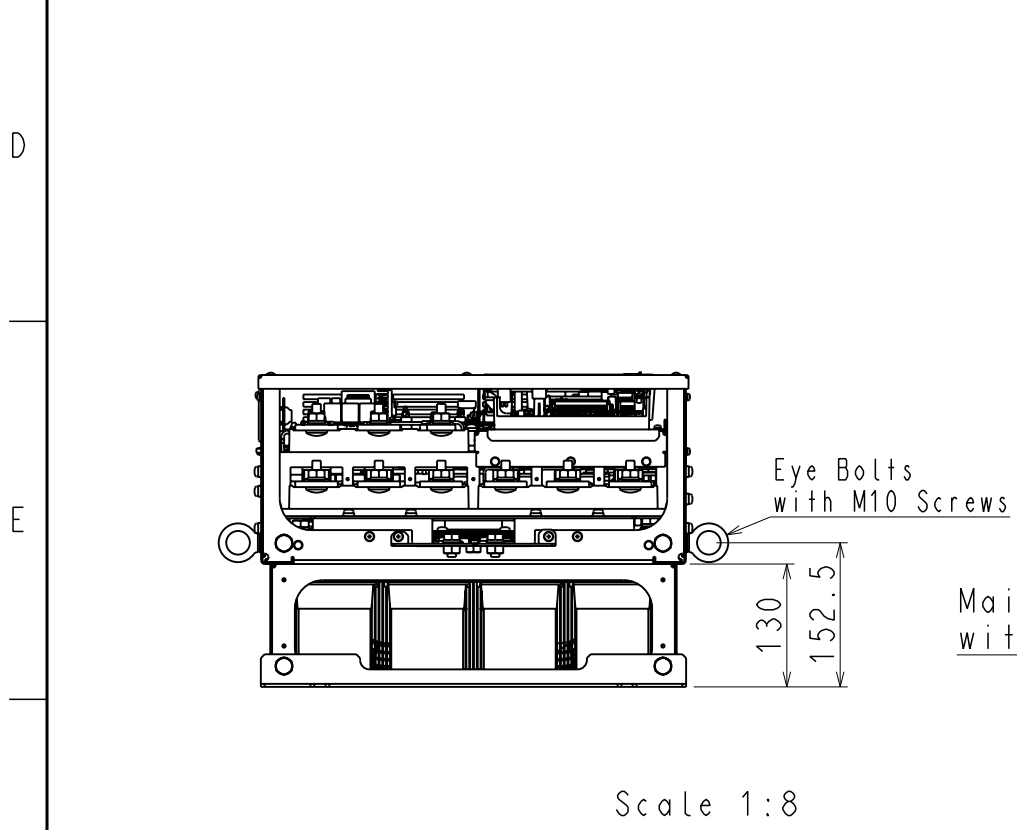
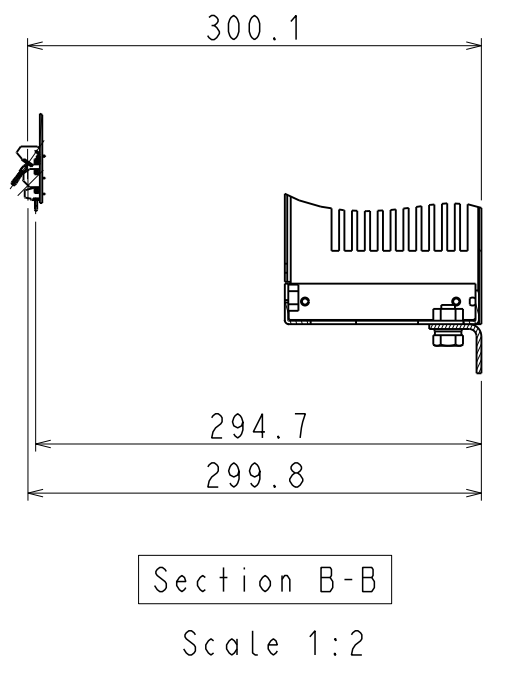
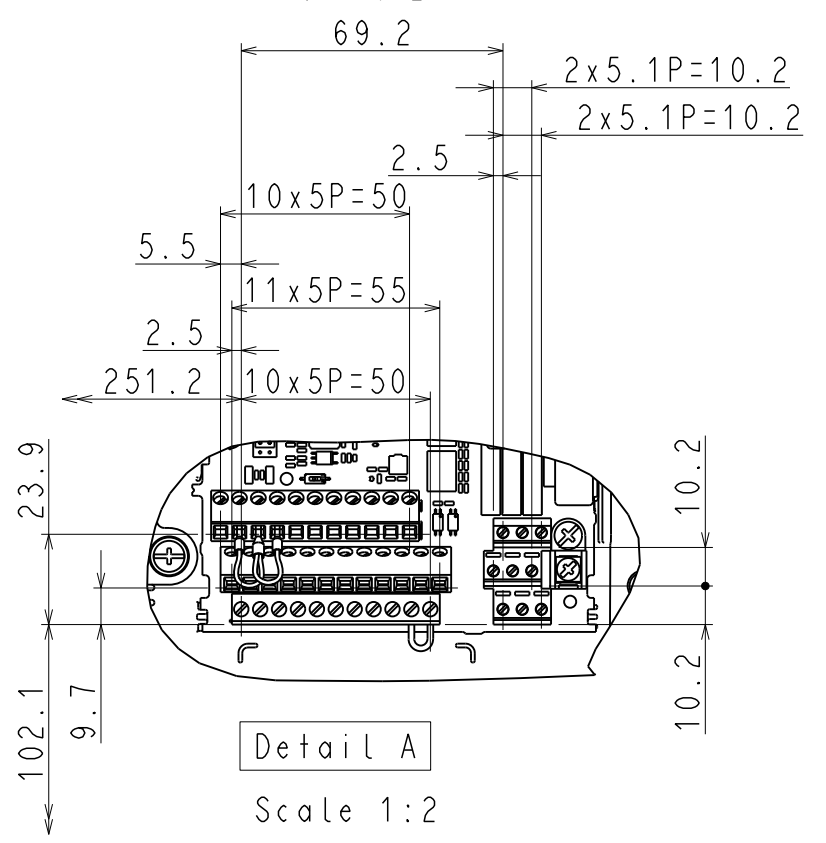
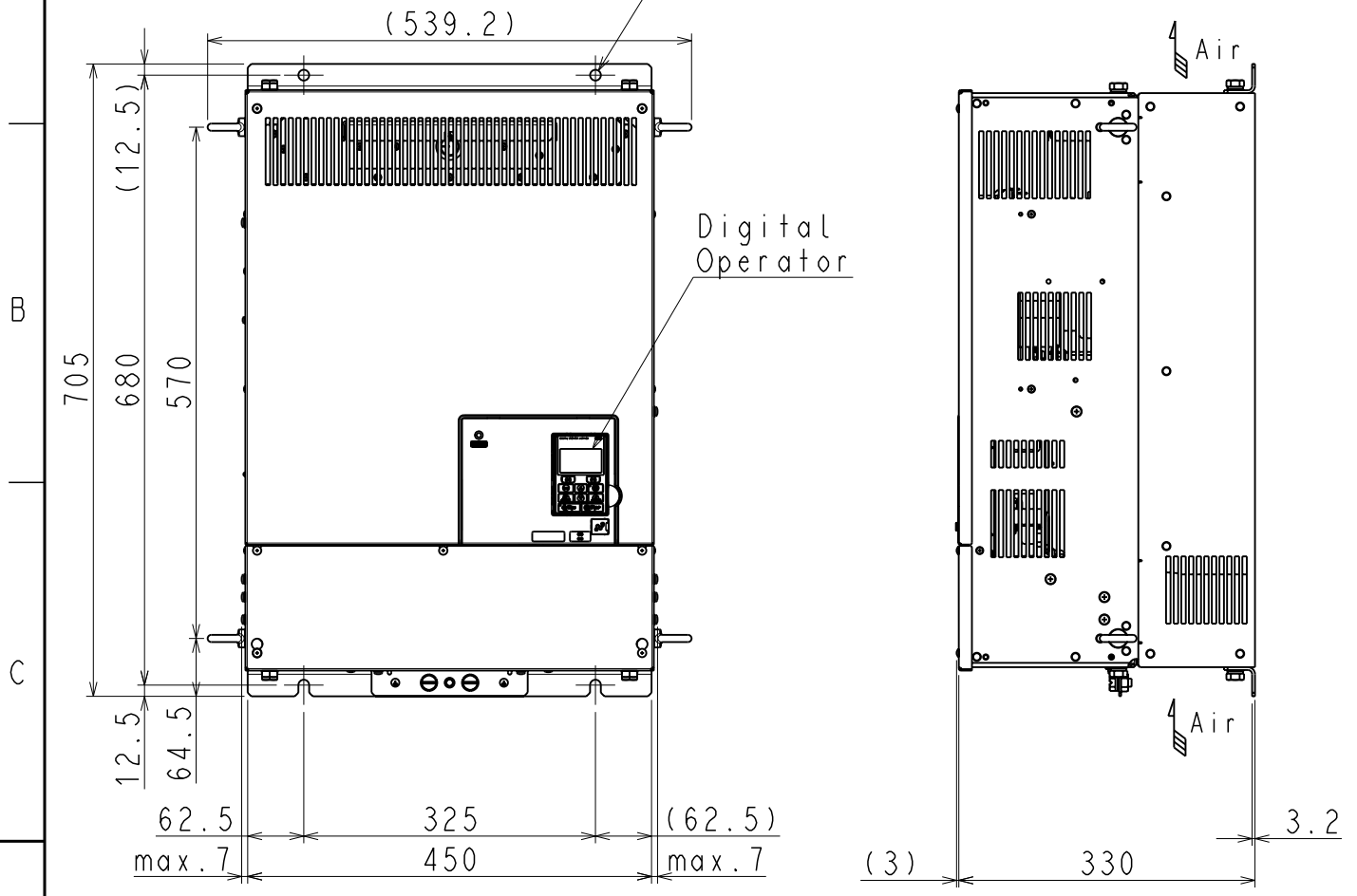


DWG. NO. EZZ902053-1/1

Model No.	Max Appli. Motor (kW)		Terminal Symbol			Cooling Fan	Mass (kg)			
	Normal Duty	Heavy Duty	INPUT OUTPUT(MOTOR)							
CIMR-LB4□0180A	-	90	R/L1	S/L2	T/L3	U/T1	V/T2	W/T3	2	79
CIMR-LU4□0180A	-	90	R/L1	S/L2	T/L3	U/T1	V/T2	W/T3	2	79
CIMR-LU5□0130A	-	90	R/L1	S/L2	T/L3	U/T1	V/T2	W/T3	2	79

Third Angle Projection  
Dimensions in mm

4 Mounting Holes  
for M10 Screw



REVISIONS	SCALE - : -	YASKAWA	DRAW. Nov. 28, 2013 N. Takeyama	TITLE L1000A OPEN CHASSIS TYPE	DWG. NO. EZZ902053	REV. 1	
			CHECK M. Kojyo				1
			APPR. M. Kojyo				