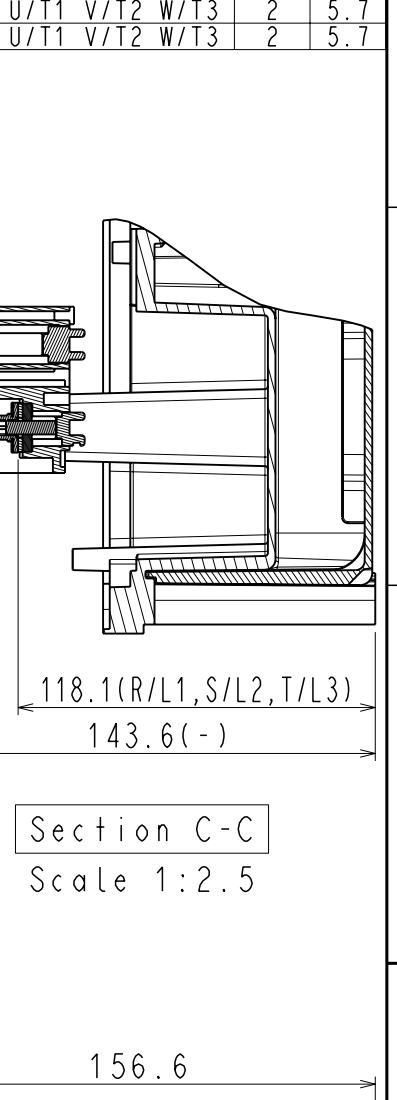
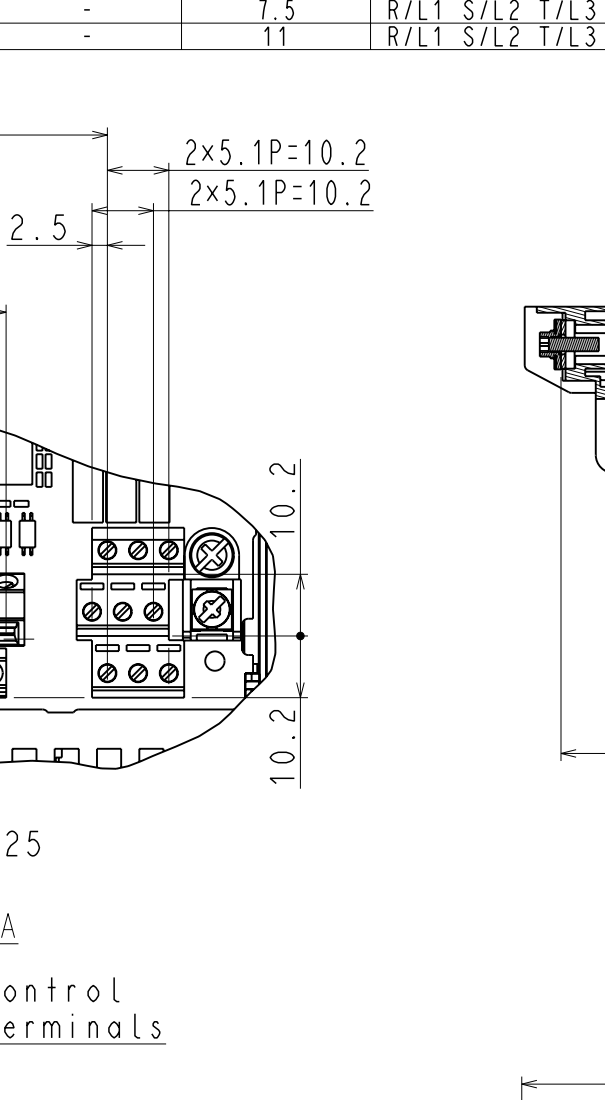
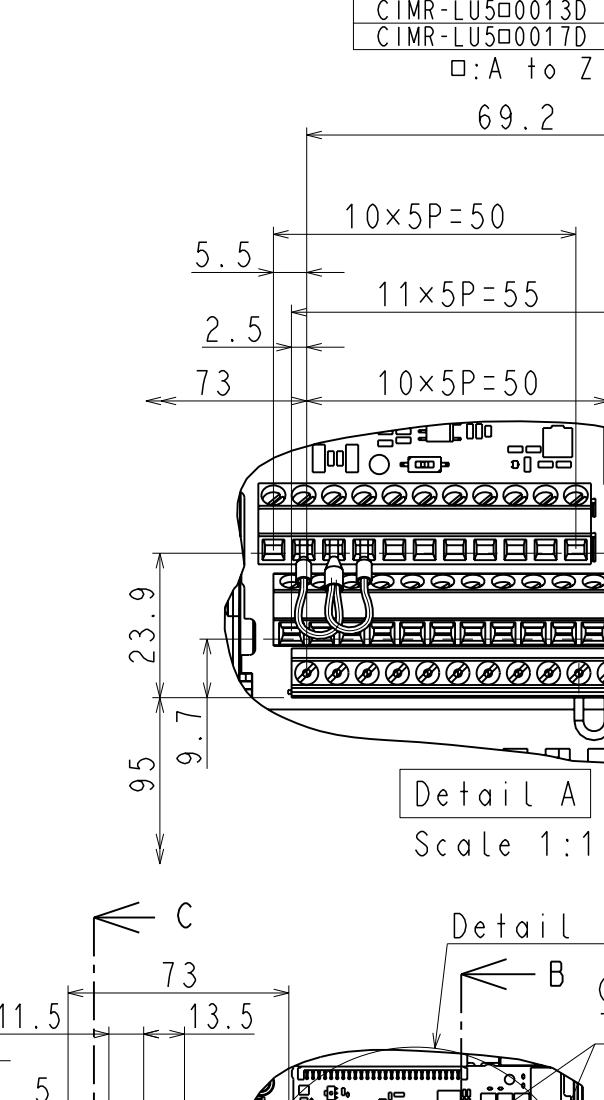
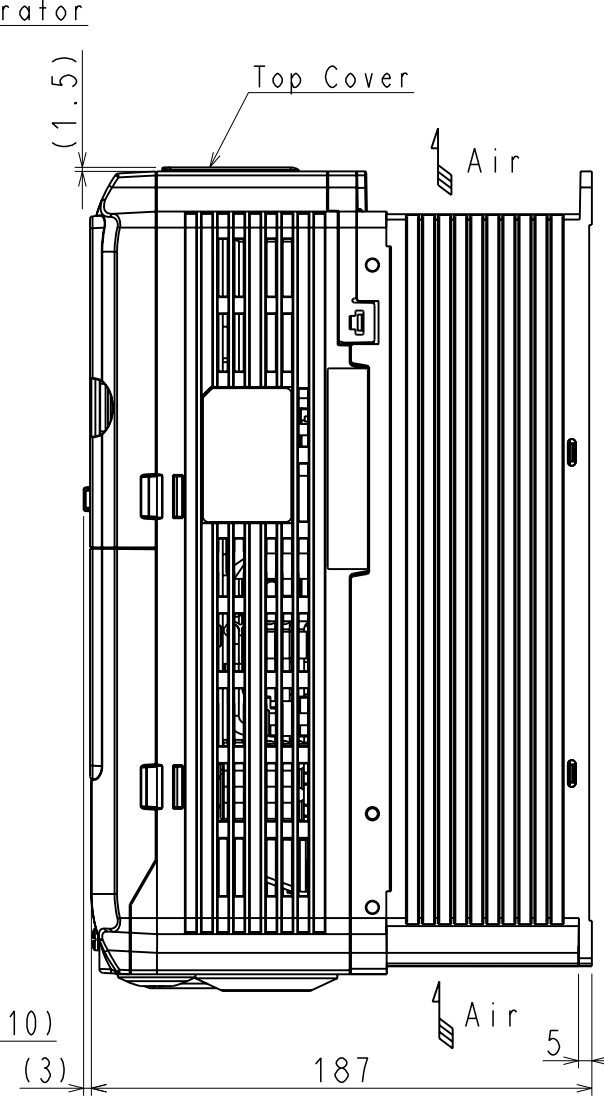
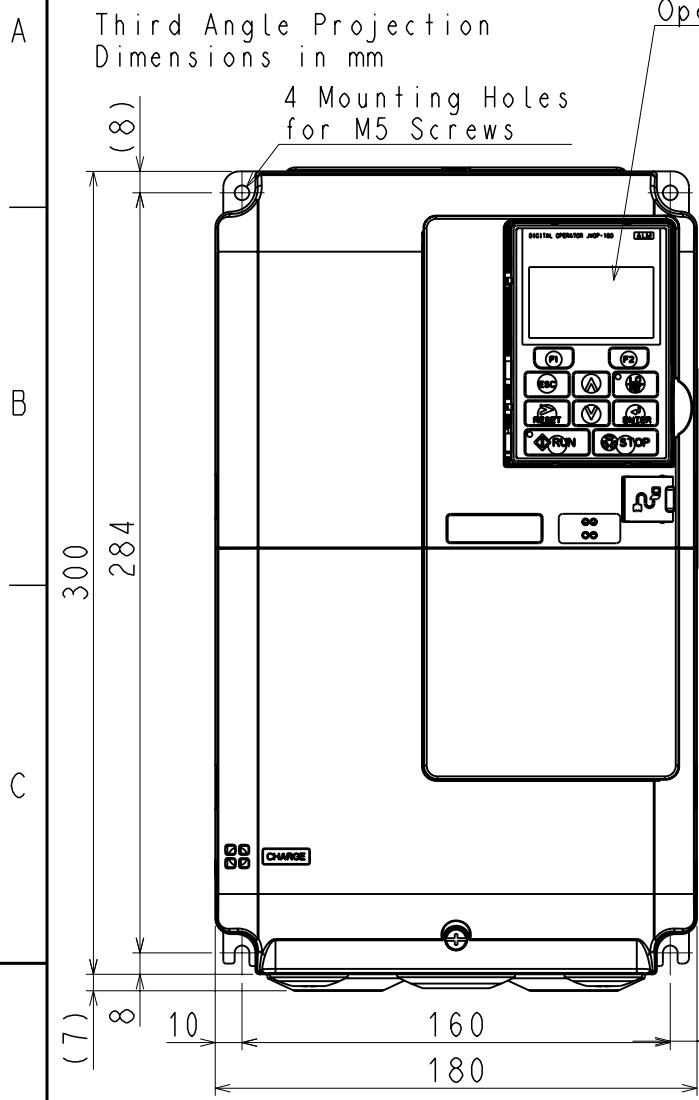


DWG.NO. EZZ902062-1/1

Model No.	Max Appli. Motor (kW)		Terminal Symbol			Cooling Fan	Mass (kg)			
	Normal Duty	Heavy Duty	INPUT OUTPUT(MOTOR)							
CIMR-LU4□0031D	-	15	R/L1	S/L2	T/L3	U/T1	V/T2	W/T3	2	5.7
CIMR-LU5□0013D	-	7.5	R/L1	S/L2	T/L3	U/T1	V/T2	W/T3	2	5.7
CIMR-LU5□0017D	-	11	R/L1	S/L2	T/L3	U/T1	V/T2	W/T3	2	5.7



REVISIONS	SCALE - : -	YASKAWA	DRAW.	Nov. 26. 2013	M. Sameshima	TITLE	L1000A OPEN CHASSIS TYPE	DWG. NO.	EZZ902062	1	REV.	1
			CHECK		M. Kojyo						1	
			APPR.		M. Kojyo							