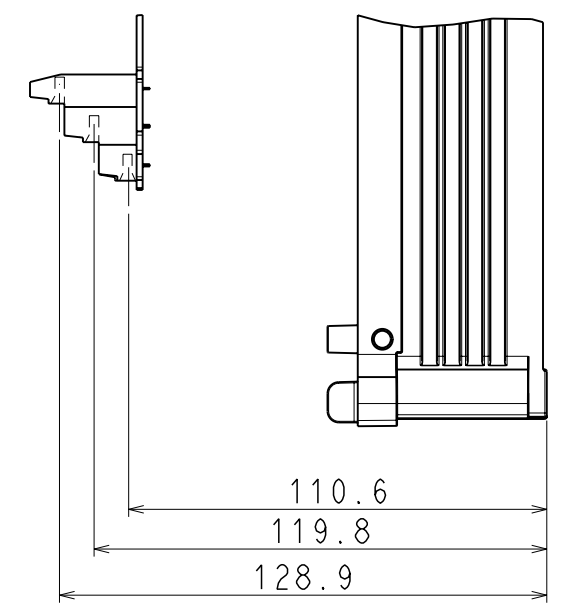
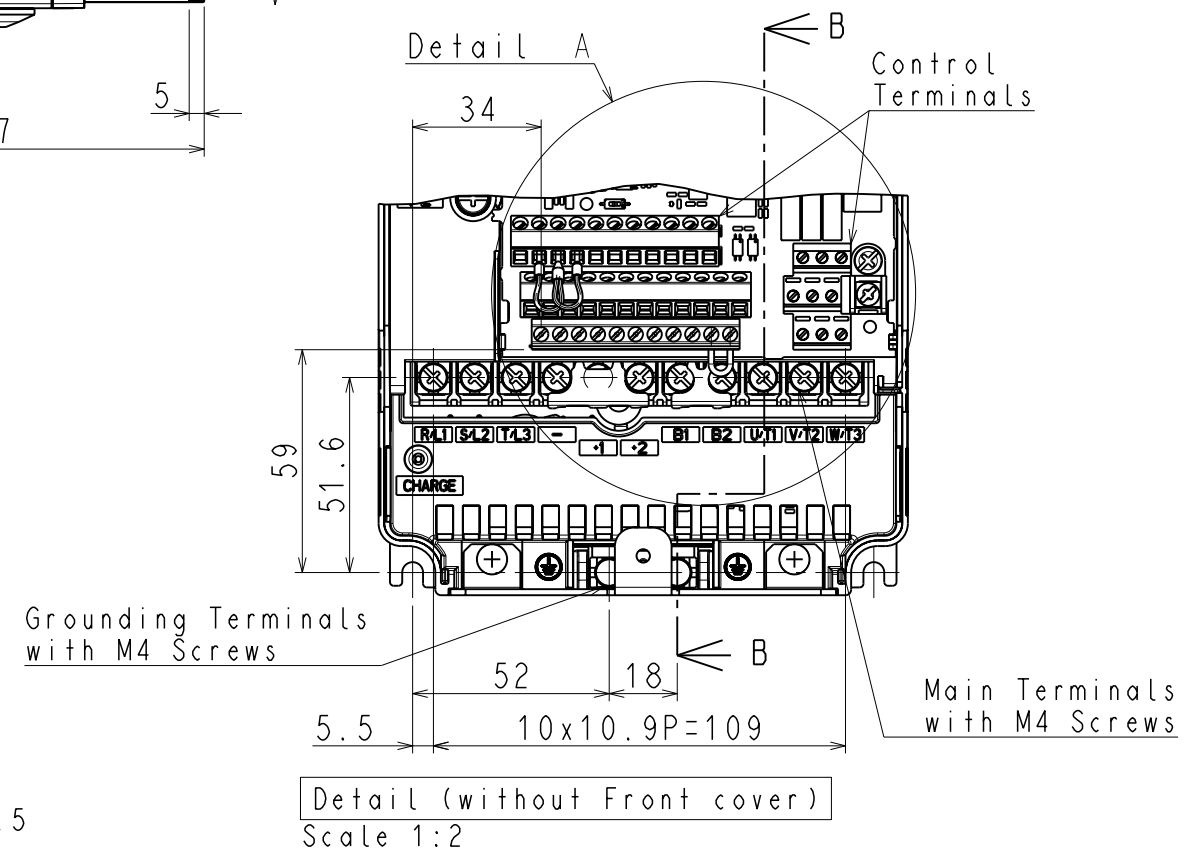
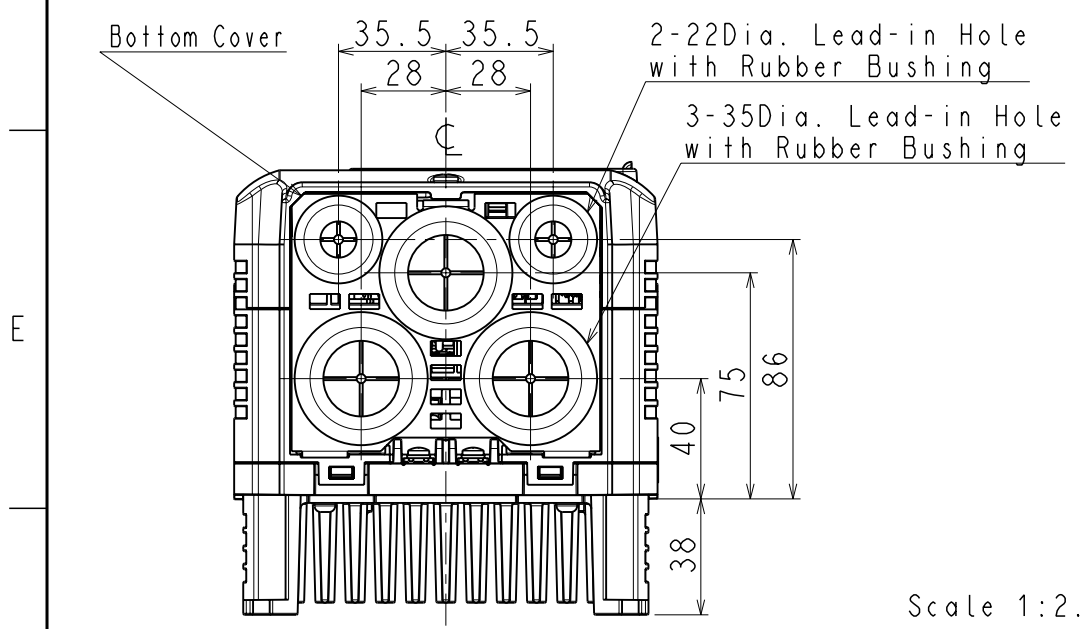
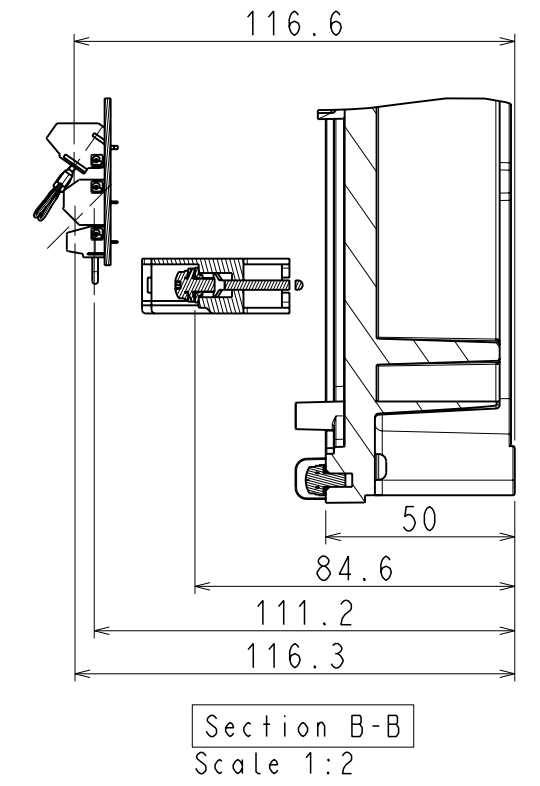
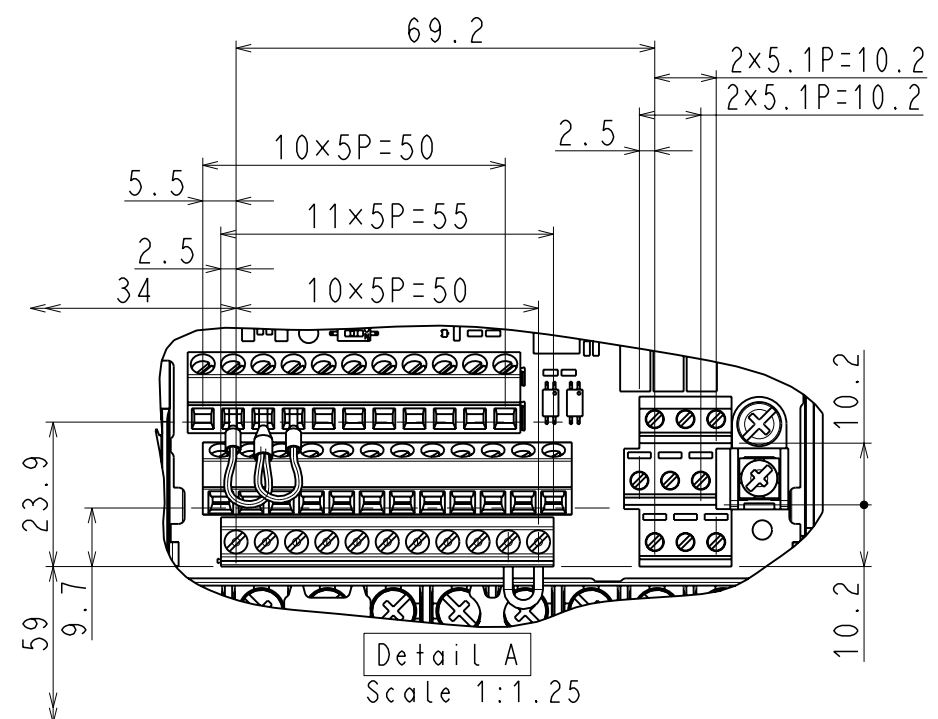
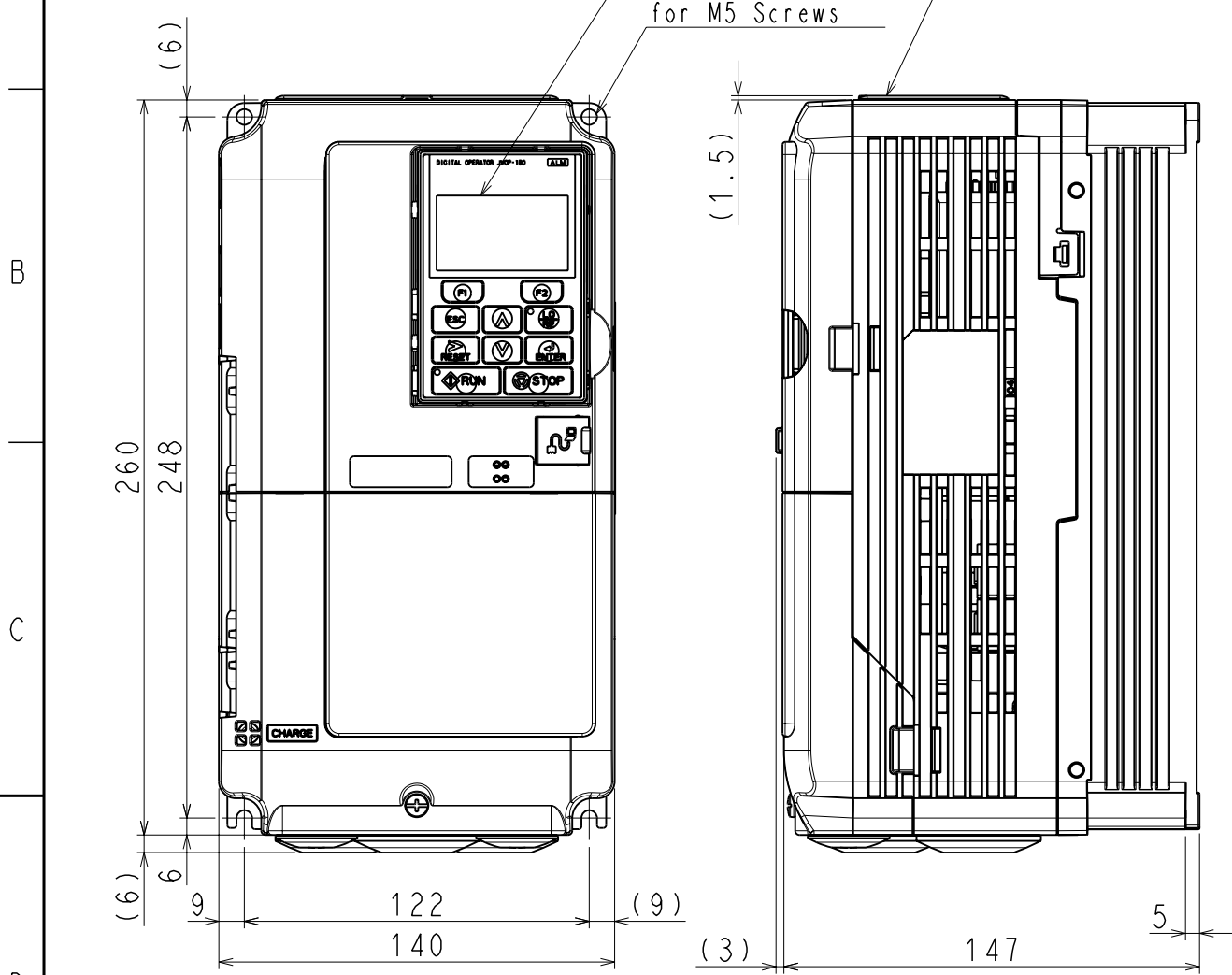


DWG.NO. EZZ902243-1/1

Model No.	Max Appli. Motor (kW)		Terminal Symbol		Cooling Fan	Mass (kg)
	Normal Duty	Heavy Duty	INPUT	OUTPUT (MOTOR)		
CIMR-LU2□0008D	-	1.5	R/L1 S/L2 T/L3	U/T1 V/T2 W/T3	-	3.2
CIMR-LU2□0011D	-	2.2			-	3.2
CIMR-LU4□0005D	-	1.5			-	3.2
CIMR-LU5□0003D	-	1.5			-	3.2

Third Angle Projection
Dimensions in mm



REVISIONS		DRAW.	Nov. 25. 2013	M. Sameshima	TITLE	L1000A OPEN CHASSIS TYPE	DWG. NO.	EZZ902243	1	REV.	
		CHECK		M. Kojyo	DIMENSION DIAGRAM						1
		APPR.		M. Kojyo							