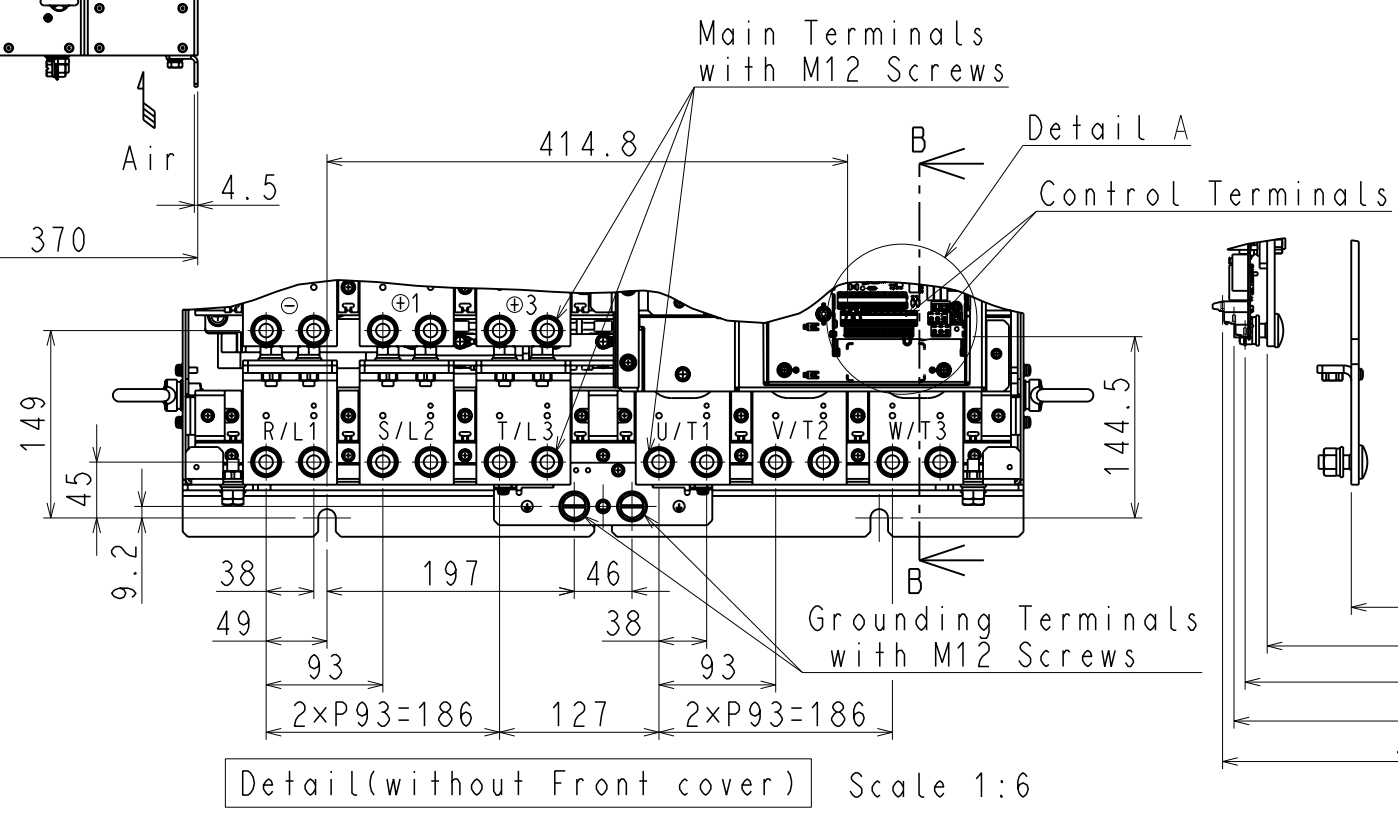
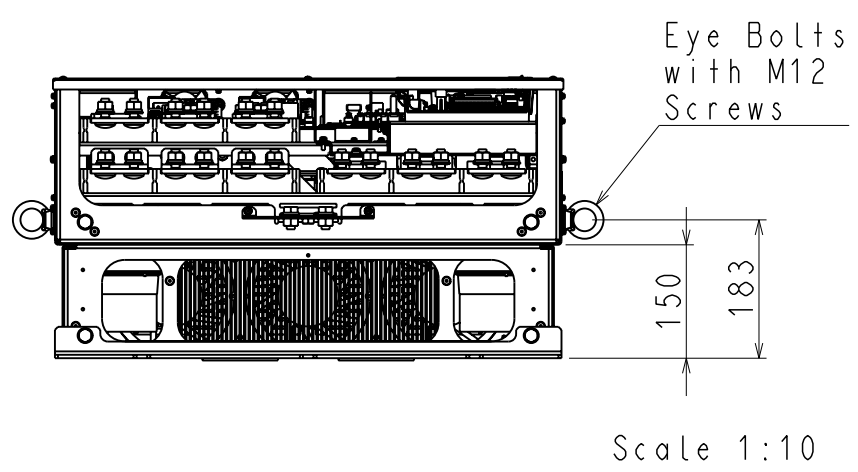
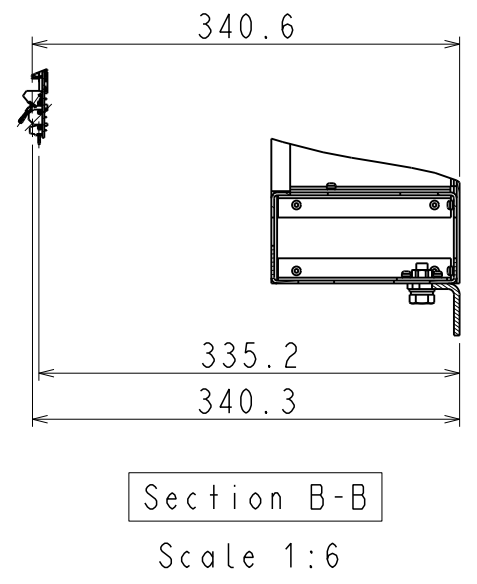
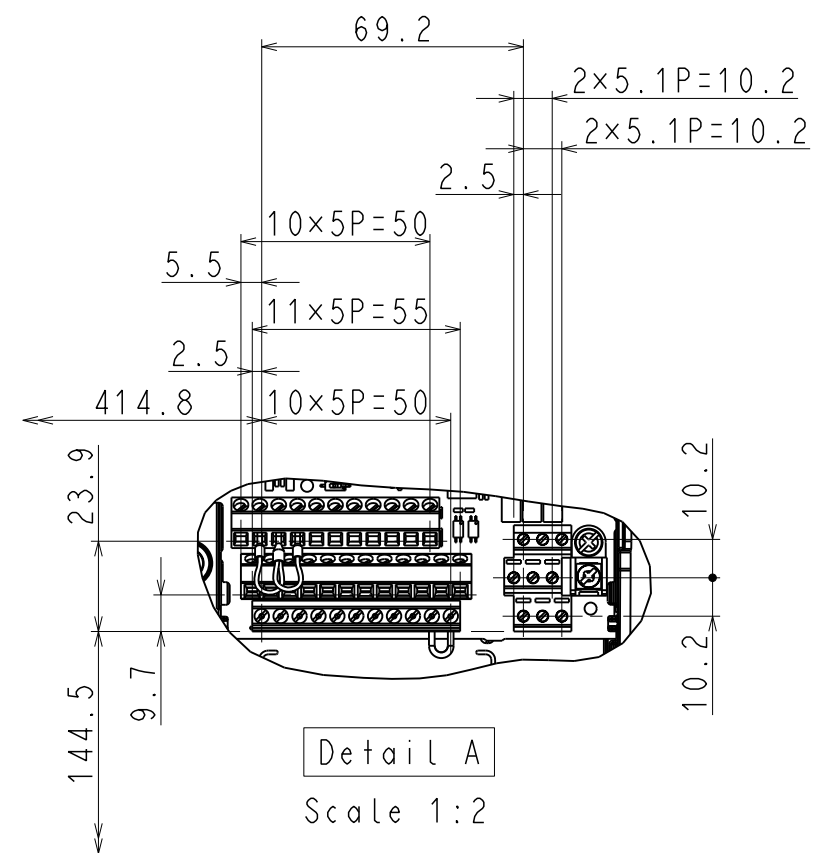
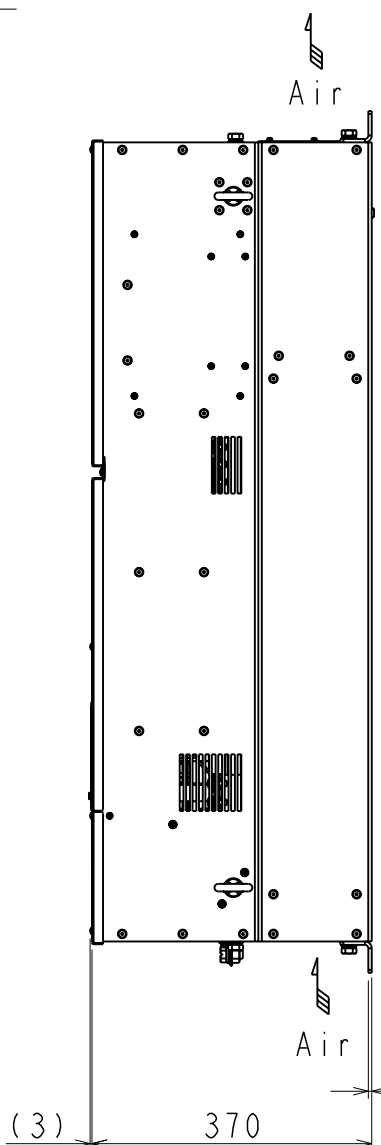
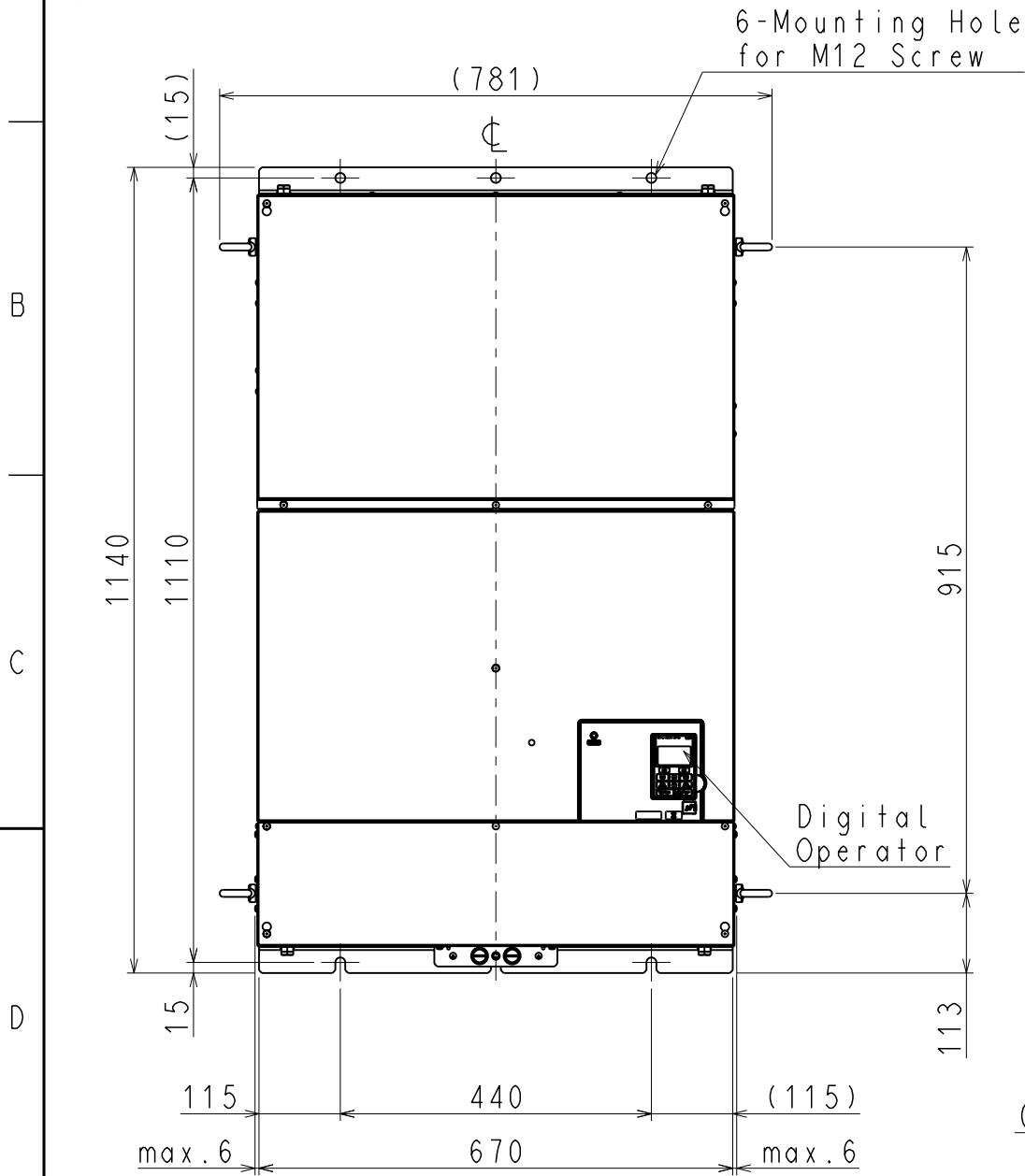


DWG. NO. EZZ902416-1/1

Model No.	Max Appli. Motor (kW)		Terminal Symbol			Cooling Fan	Mass (kg)			
	Normal Duty	Heavy Duty	INPUT OUTPUT(MOTOR)							
CIMR-LB4A0450A	-	220	R/L1	S/L2	T/L3	U/T1	V/T2	W/T3	3	216
CIMR-LB4A0605A	-	315	R/L1	S/L2	T/L3	U/T1	V/T2	W/T3	3	221
CIMR-LU4A0450A	-	220	R/L1	S/L2	T/L3	U/T1	V/T2	W/T3	3	216
CIMR-LU4A0605A	-	315	R/L1	S/L2	T/L3	U/T1	V/T2	W/T3	3	221

Third Angle Projection
Dimensions in mm



REVISIONS	SCALE ---: ---	YASKAWA	DRAW. Nov. 28. 2013 N. Takeyama	TITLE L1000A OPEN CHASSIS TYPE	DWG. NO. EZZ902416	1/1	REV. \diamond
			CHECK - M. Kojyo	DEMENSION DIAGRAM			
			APPR. - M. Kojyo				