

**Part Number:** UUX000441 (formerly DS031 and DS033)

**Applicability:** J7

**Introduction:** This remote digital operator kit allows a NEMA 4/12 digital operator to be mounted up to 3 meters from the J7 drive. The operator can either be surface or flush mounted to the mounting panel. The kit includes:

- a. 1 remote digital operator (JVOP-146)
- b. 1 gasket
- c. 4 screws & nuts
- d. 8 rubber washers
- e. 1 remote operator interface (SI-232/J7)
- f. 2 cables: 1 meter (UWR0051) and 3 meter (UWR0052). Both are standard CAT-5 Ethernet cables.

**Receiving:** All equipment is tested against defect at the factory. Report any damages or shortages evident when the equipment is received to the commercial carrier who transported the equipment.

**Warning:** Hazardous voltage can cause severe injury or death. Lock all power sources feeding the drive in the “OFF” position.

**Installation:**

1. Disconnect all electrical power to the drive.
2. Use a voltmeter to verify that power has been disconnected at the incoming power terminals.
3. Wait for the DC bus to completely discharge.
4. Remove contents from package. Verify that the above-mentioned parts are present.
5. Remove the screw on the front lower right hand corner of the drive. Remove the front cover.
6. Remove the small option port cover located below the digital operator using a flat screwdriver.
7. Install the SI-232/J7 remote interface by positioning the interface directly above the internal connector. Press down on interface until all three tabs snap into place.
8. Re-install the front cover and hold-down screw.
9. Attach the remote operator to the mounting panel using either a surface mount or flush mount configuration.
10. For a surface mount, follow steps 11-12.
11. Cut a hole in the remote operator-mounting panel as shown in Figure 1 for surface mounting.

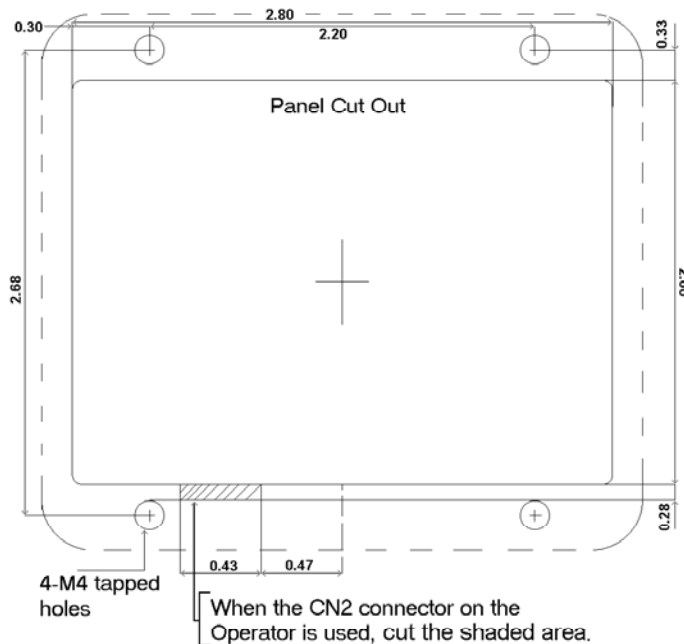


Figure 1: Surface Mount Cutout (dimensions in Inches, not actual size)

12. Finish the surface mount by installing the remote operator on the front side of the panel. Insert a rubber washer on each screw and then insert the screws through the front side of the panel. Four washers and four nuts are not needed in this application. Tighten screws gradually by hand to prevent damaging the rubber washers. See Figure 2.

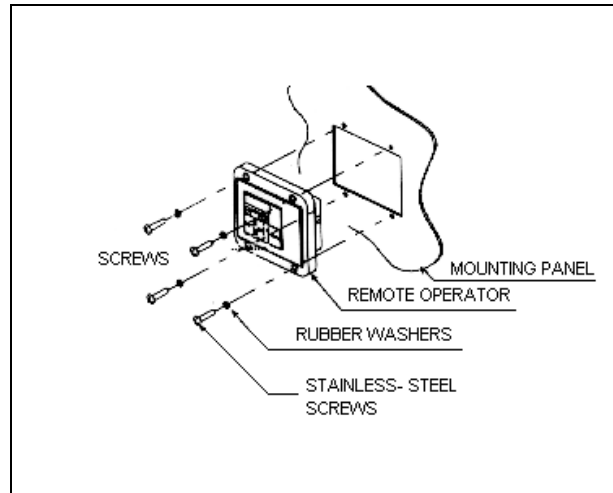


Figure 2: Surface Mount Installation

13. For a flush mount, follow steps 14-15.
14. Cut a hole in the remote operator-mounting panel as shown in Figure 3 for flush mounting.

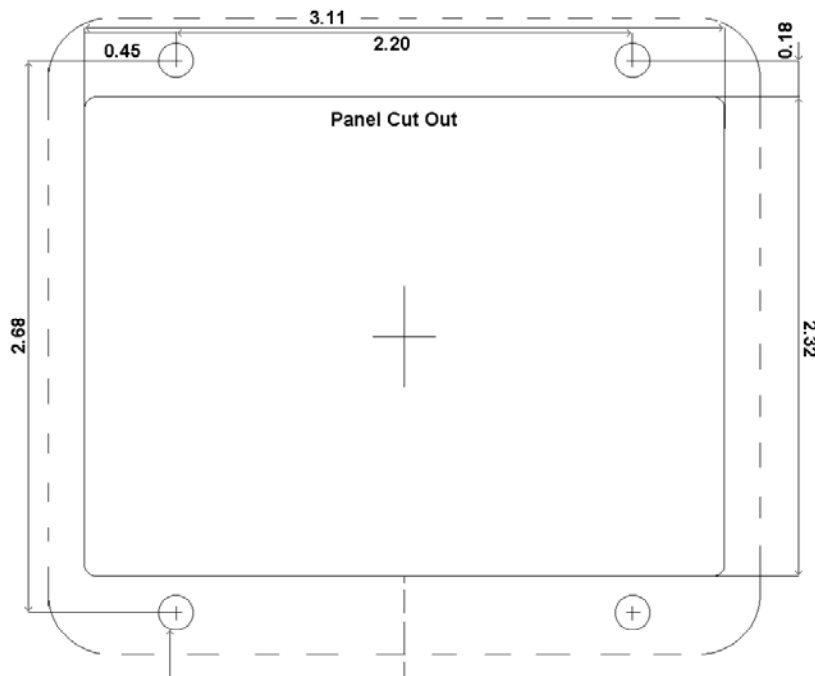


Figure 3: Flush Mount Cutout (dimensions in Inches, not actual size)

15. For a flush mount, apply the gasket to the front side of the digital operator, and install the remote operator from the rear side of panel. Insert the screws through the front side of the panel and then mount the washers and nuts to the rear side of the panel. Four washers are not needed in this application. Tighten screws gradually from the front side of the panel to prevent damaging the rubber gaskets. See Figure 4.

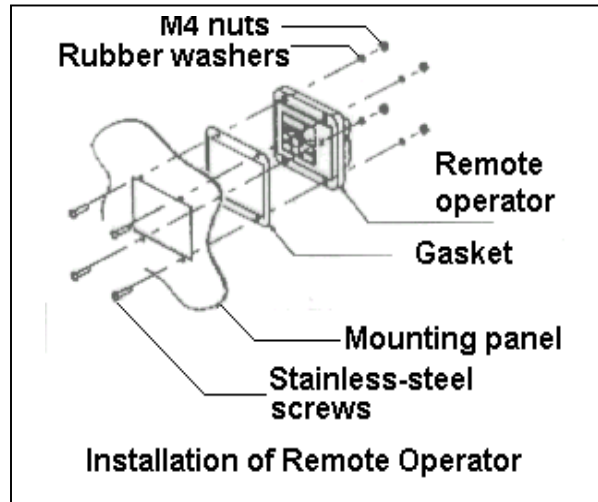


Figure 4: Flush Mount Installation

16. For either mounting configuration, connect the remote operator to the drive using one of the supplied cables. Use the cable length that best fits the installation. Plug one end of the cable to the RJ-45 jack on the SI-232/J7 and the other end of the cable to the RJ-45 jack on the back of the JVOP-146 remote operator.

This completes the installation process.