



Product Service

CERTIFICATE

No. B 08 05 21347 058

Holder of Certificate: **Yaskawa Electric Corporation**
Yahata Plant

2-3 Kitakukioka Maeda Yahatahigashi-Ku
Kitakyusyu-City
Fukuoka-ken
805-0058 JAPAN

Production Facility(ies): 48675

Certification Mark:



Product: **Servo Motor**
AC Servo Motor

Model(s): **SGMSV Series**
(See Attachment for Nomenclature)

Parameters:

Rated voltage:	AC 200 V, 400 V, 3 phase
Rated output power:	1.0 - 7.0 kW
Rated input current:	2.8 - 38.3 A
Rated torque:	3.18 - 22.3 N·m
Rated speed:	3000 1/min
Degree of protection:	IP55, IP67
Protection class:	I
Remark:	When installing / inserting the equipment, all requirements of the mentioned test standards must be fulfilled.

Tested according to: EN 60034-1:2004
EN 60034-5:2001

The product was tested on a voluntary basis and complies with the essential requirements. The certification mark shown above can be affixed on the product. The certification mark must not be altered in any way. See also notes overleaf.

Test report no.: 73519369

Date, 2008-05-02

Page 1 of 6



Certificate Attachment
Certificate No.



Product Service

B 08 04 21347 058

Electrical ratings –

Motor type	Rated output (W)	Rated torque (N·m)	Rated speed (min ⁻¹)	Max. speed (min ⁻¹)	Rated current (A)	Supply Voltage	Rated	Thermal class
SGMSV-10AxAxxx	1,0	3.18	3000	6000	5.7	200	CONT	F
SGMSV-15AxAxxx	1,5	4.90	3000	5000	9.3	200	CONT	F
SGMSV-20AxAxxx	2,0	6.36	3000	5000	12.1	200	CONT	F
SGMSV-25AxAxxx	2,5	7.96	3000	5000	13.8	200	CONT	F
SGMSV-30AxAxxx	3,0	9.80	3000	5000	17.9	200	CONT	F
SGMSV-40AxAxxx	4,0	12.6	3000	5000	25.4	200	CONT	F
SGMSV-50AxAxxx	5,0	15.8	3000	5000	27.6	200	CONT	F
SGMSV-70AxAxxx	7,0	22.3	3000	5000	38.3	200	CONT	F
SGMSV-10DxAxxx	1,0	3.18	3000	6000	2.8	400	CONT	F
SGMSV-15DxAxxx	1,5	4.90	3000	5000	4.7	400	CONT	F
SGMSV-20DxAxxx	2,0	6.36	3000	5000	6.2	400	CONT	F
SGMSV-25DxAxxx	2,5	7.96	3000	5000	6.9	400	CONT	F
SGMSV-30DxAxxx	3,0	9.80	3000	5000	8.9	400	CONT	F
SGMSV-40DxAxxx	4,0	12.6	3000	5000	12.5	400	CONT	F
SGMSV-50DxAxxx	5,0	15.8	3000	5000	13.8	400	CONT	F

Certificate Attachment
Certificate No.



Product Service

B 08 04 21347 058

SGMGV Series - Nomenclature:

Standard

<u>SGMSV -</u>	<u>10</u>	<u>x</u>	<u>x</u>	<u>A</u>	<u>x</u>	<u>x</u>	<u>x</u>
a	b	c	d	e	f	g	h

a: Motor Series: SGMSV

b. Motor Output (W):

- 10: 1,0 kW
- 15: 1,5 kW
- 20: 2,0 kW
- 25: 2,5 kW
- 30: 3,0 kW
- 40: 4,0 kW
- 50: 5,0 kW
- 70: 7,0 kW

c: Supply Voltage:

- A: 200 V
- D: 400 V

d: Encoder:

- D: Incremental (20bit)
- 3: Absolute value (20bit)

e: Design Revision Order

- A: The Standard (Rated Speed 3000 min⁻¹, Peak Torque 300 %)
- V: Winding is the same as a standard. The characteristic is different.
- W: Winding and characteristic is differ from a standard.

f: Shaft Type:

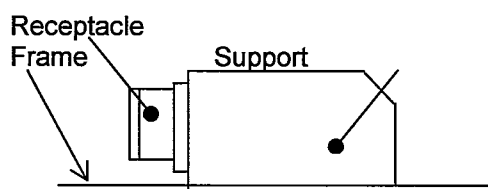

- 2: Straight
- 4: Straight, without key
- 6: Straight, with key and Tap
- 3: 1/10 Conical shaft ends, With Sunk Key
- 5: 1/10 Conical shaft ends, With Woodruff Key
- 8: Straight, with tap



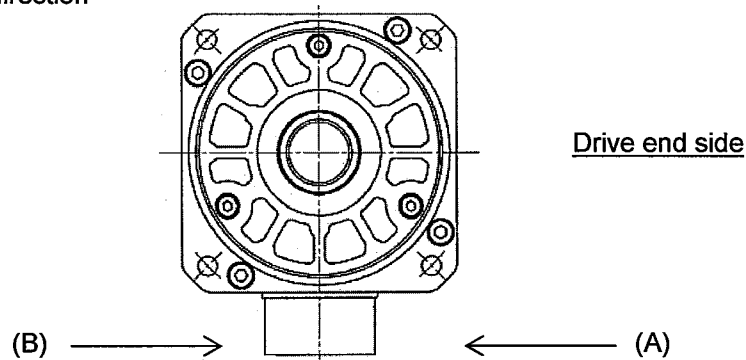
B 08 04 21347 058

- g: Optional parts:
- F: With oil seal (V type) (for CE only)
 - G: With oil seal (V type) and with holding brake (DC90V) (for CE only)
 - H: With oil seal (V type) and with holding brake (DC24V) (for CE only)
 - D: With oil seal (S type) and with holding brake (DC90V)
 - E: With oil seal (S type) and with holding brake (DC24V)
 - S: With oil seal (S type)
 - 1: Without option
 - B: With holding brake (DC90V)
 - C: With holding brake (DC24V)

h: Design of connection:

Symbol	Contents	Draw out direction *1
(non)	Receptacle	
	With right-angle support	
B		(A)
C		(B)
F	Cable Type 1	(A)
G	(See 400-004-518)	(B)
H	Cable Type 2	(A)
J	(See 400-004-518)	(B)

*1 Draw out direction



Certificate Attachment
Certificate No.



Product Service

B 08 04 21347 058

INTERNATIONAL PROTECTION CLASS (IP class)

No.	Contents	Except for drive end side(*1)	Oil seal of drive end side	
			V type	S type
1	Connection: Receptacle	IP67	IP55	IP67
2	Connection: Receptacle (With right-angled support)	IP67	IP55	IP67
3	Connection: Cable (Cable isn't attached to the motor.)	IP67	IP55	IP67

*1: When drive end side needs IP55 or IP67, mount an oil seal.

CONSTRUCTION

Connection	Without Brake		With Brake	
	1.0 - 5.0kW	7.0kW	200V	400V
Receptacle	Drawing: 400-004-478-1/2 Parts List: TABLE 1	Drawing: 400-004-478-2/2 Parts List: TABLE 5	Drawing: 400-004-479 Parts List: TABLE 2	Drawing: 900-026-389 Parts List: TABLE 3 (Same as left type except for description)
Cable	Drawing: 400-004-518 Parts List: TABLE 4 (Same as above type except for description)			