

Title: Dynamic Braking Resistors

Product(s): All Drives

Doc. No. PN.RESISTORS.01

The following is a list of dynamic braking resistors that can be used with Yaskawa Drives. The list includes the part number, descriptions, and dimensions of each resistor. Contact Yaskawa with any questions on selecting, connecting, or installing these resistors.

Table of Contents

RESISTOR TERMINAL DESIGNATIONS.....2

GCE ENCLOSURE DIMENSIONS AND DRAWINGS 3

ED ENCLOSURE DIMENSIONS AND DRAWINGS 4

RESISTORS BY MODEL NUMBER 5

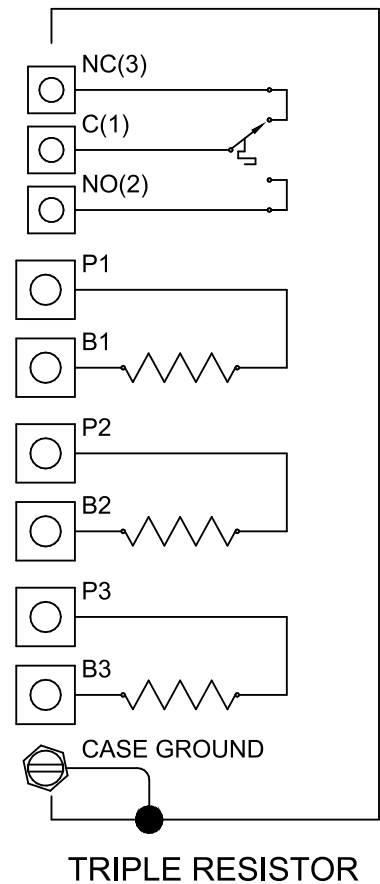
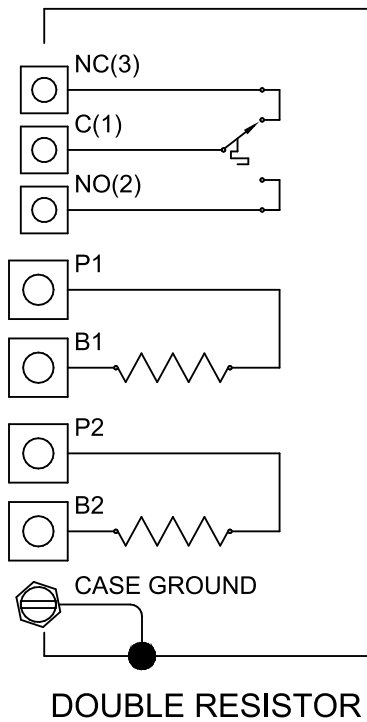
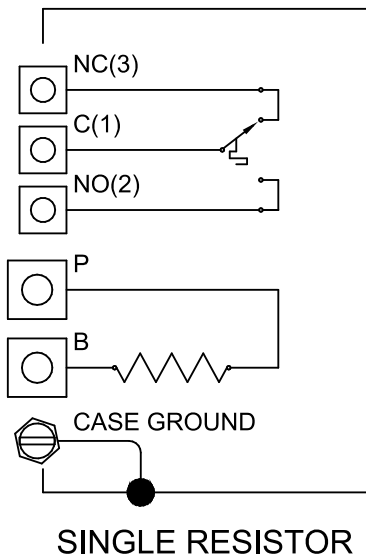
RESISTORS BY RESISTANCE 10

Title: Yaskawa Braking Resistors

Product(s): All Drives

Doc. No. PN.RESISTORS.01

Resistor Terminal Designations

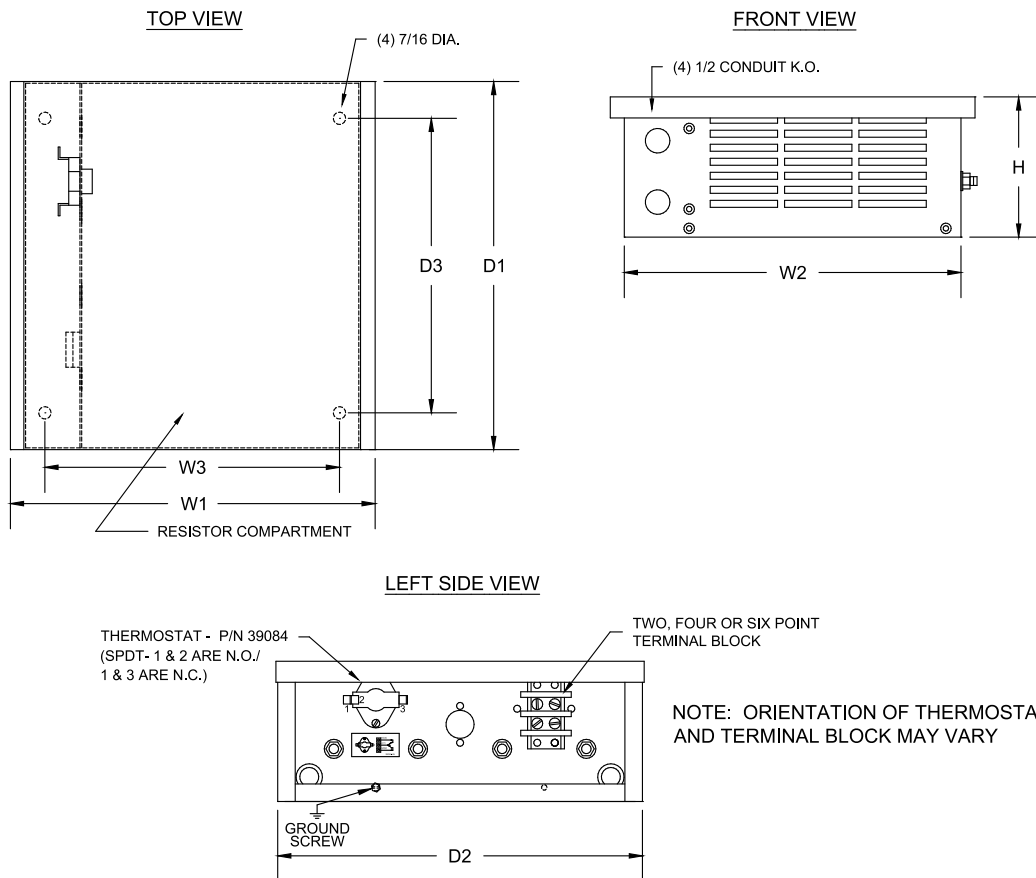


Title: Yaskawa Braking Resistors

Product(s): All Drives

Doc. No. PN.RESISTORS.01

GCE Enclosure Dimensions and Drawings



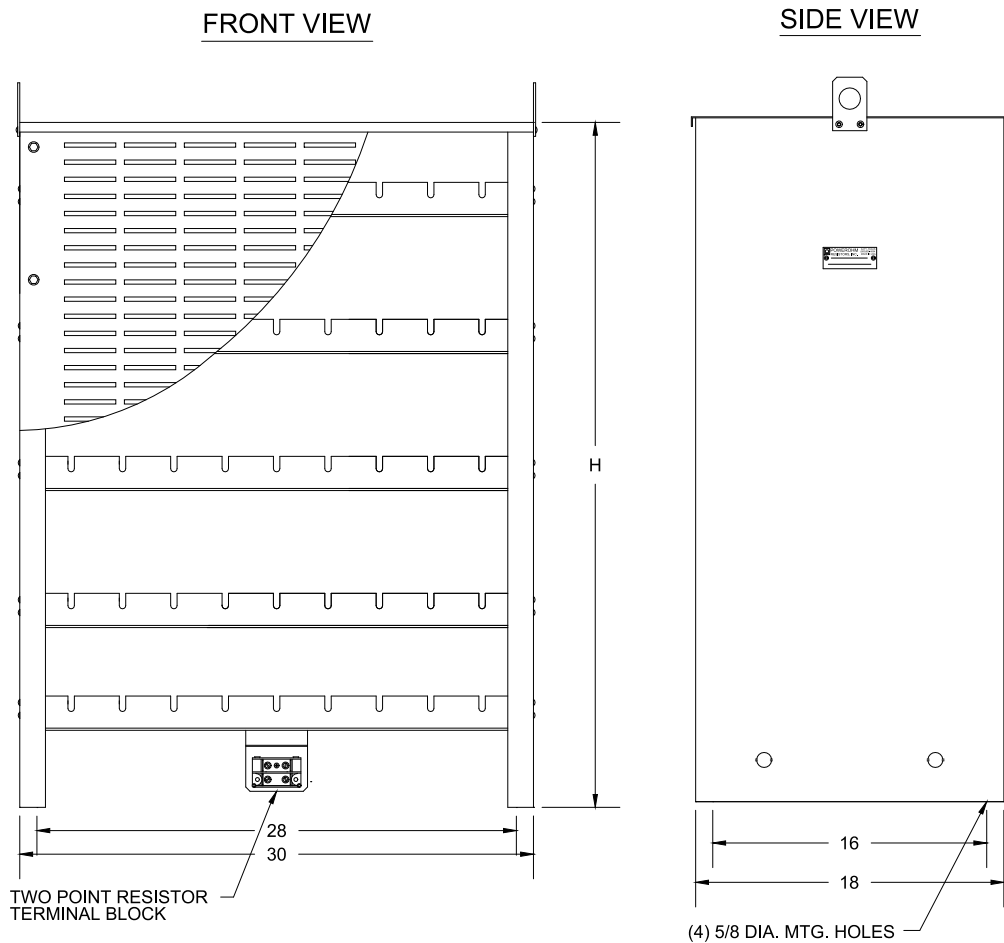
Enclosure	W1	W2	W3	D1	D2	D3	H
GCE1	12 1/2	12	10 1/2	5 1/8	5	---	5
GCE2	12 1/2	12	10 1/2	7 1/8	7	4 1/2	5
GCE3	12 1/2	12	10 1/2	10 1/8	10	7 1/2	5
GCE4	12 1/2	12	10 1/2	13 1/8	13	10 1/2	5
GCE5	12 1/2	12	10 1/2	16 1/8	16	13 1/2	5
GCE6	19 1/2	19	17 1/2	10 1/8	10	7 1/2	5
GCE8	19 1/2	19	17 1/2	13 1/8	13	10 1/2	5
GCE9	27	26 1/2	25	10 1/8	10	7 1/2	5
GCE10	19 1/2	19	17 1/2	16 1/8	16	13 1/2	5
GCE12	27	26 1/2	25	13 1/8	13	10 1/2	5
GCE15	27	26 1/2	25	16 1/8	16	13 1/2	5
GCE18	28 1/2	28	26 1/2	10 1/8	10	7 1/2	10
GCE24	28 1/2	28	26 1/2	13 1/8	13	10 1/2	10
GCE30	28 1/2	28	26 1/2	16 1/8	16	13 1/2	10

Title: Yaskawa Braking Resistors

Product(s): All Drives

Doc. No. PN.RESISTORS.01

ED Enclosure Drawings



Enclosure	W1	W2	W3	D1	D2	D3	H
ED1	18	18	16	30	30	28	10
ED2	18	18	16	30	30	28	16
ED3	18	18	16	30	30	28	24
ED4	18	18	16	30	30	28	32
ED5	18	18	16	30	30	28	40
ED6	18	18	16	30	30	28	48
ED7	18	18	16	30	30	28	56
ED8	18	18	16	30	30	28	64
ED9	18	18	16	30	30	28	72

Title: Yaskawa Braking Resistors

Product(s): All Drives

Doc. No. PN.RESISTORS.01

Resistors by Part Number

Part Number	Resistance (ohms)	Type	Watts	Total Watts	Amps RMS	Enclosure Type	W1 (in)	W2 (in)	W3 (in)	D1 (in)	D2 (in)	D3 (in)	H (in)
URS000092	1.6	Single	1638	1638	32	GCE9	27	26.5	25	10.125	10	7.5	5
URS000093	2X 1.6	Dual	2X 1638	3276	2X 32	GCE9	27	26.5	25	10.125	10	7.5	5
URS000094	1.6	Single	3385	3385	46	GCE9	27	26.5	25	10.125	10	7.5	5
URS000095	2X 1.6	Dual	2X 3385	6770	2X 46	GCE12	27	26.5	25	13.125	13	10.5	5
URS000096	1.6	Single	6553	6553	64	GCE12	27	26.5	25	13.125	13	10.5	5
URS000097	2X 1.6	Dual	2X 6553	13106	2X 64	GCE24	28.5	28	26.5	13.125	13	10.5	10
URS000098	2.1	Single	2721	2721	36	GCE9	27	26.5	25	10.125	10	7.5	5
URS000099	2X 2.1	Dual	2X 2721	5442	2X 36	GCE12	27	26.5	25	13.125	13	10.5	5
URS000100	2.1	Single	5250	5250	50	GCE9	27	26.5	25	10.125	10	7.5	5
URS000116	3X 4.2	Triple	3X 2839	8517	3X 26	GCE18	28.5	28	26.5	10.125	10	7.5	10
URS000117	4.2	Single	5443	5443	36	GCE9	27	26.5	25	10.125	10	7.5	5
URS000118	2X 4.2	Dual	2X 5443	10886	2X 36	GCE18	28.5	28	26.5	10.125	10	7.5	10
URS000119	4.2	Single	10500	10500	50	GCE18	28.5	28	26.5	10.125	10	7.5	10
URS000120	2X 4.2	Dual	2X 10500	21000	2X 50	ED2	18	18	16	30	30	28	16
URS000121	3X 4.2	Triple	3X 10500	31500	3X 50	ED2	18	18	16	30	30	28	16
URS000122	4.2	Single	17203	17203	64	GCE30	28.5	28	26.5	16.125	16	13.5	10
URS000123	2X 4.2	Dual	2X 17203	34406	2X 64	ED2	18	18	16	30	30	28	16
URS000124	4.9	Single	6350	6350	36	GCE12	27	26.5	25	13.125	13	10.5	5
URS000125	5.2	Single	14060	14060	52	GCE24	28.5	28	26.5	13.125	13	10.5	10
URS000126	6.8	Single	915	915	11.6	GCE2	12.5	12	10.5	7.125	7	4.5	5
URS000127	2X 6.8	Dual	2X 915	1830	2X 11.6	GCE4	12.5	12	10.5	13.125	13	10.5	5
URS000128	6.8	Single	1740	1740	16	GCE6	19.5	19	17.5	10.125	10	7.5	5
URS000129	2X 6.8	Dual	2X 1740	3480	2X 16	GCE8	19.5	19	17.5	13.125	13	10.5	5
URS000130	6.8	Single	2203	2203	18	GCE6	19.5	19	17.5	10.125	10	7.5	5
URS000131	2X 6.8	Dual	2X 2203	4406	2X 18	GCE8	19.5	19	17.5	13.125	13	10.5	5
URS000132	9	Single	761	761	9.2	GCE2	12.5	12	10.5	7.125	7	4.5	5
URS000133	2X 9	Dual	2X 761	1522	2X 9.2	GCE4	12.5	12	10.5	13.125	13	10.5	5
URS000134	9	Single	1296	1296	12	GCE4	12.5	12	10.5	13.125	13	10.5	5
URS000135	2X 9	Dual	2X 1296	2592	2X 12	GCE8	19.5	19	17.5	13.125	13	10.5	5
URS000136	10.5	Single	3402	3402	18	GCE9	27	26.5	25	10.125	10	7.5	5
URS000137	2X 10.5	Dual	2X 3402	6804	2X 18	GCE12	27	26.5	25	13.125	13	10.5	5
URS000138	10.5	Single	7098	7098	26	GCE12	27	26.5	25	13.125	13	10.5	5
URS000139	2X 10.5	Dual	2X 7098	14196	2X 26	GCE24	28.5	28	26.5	13.125	13	10.5	10
URS000140	13.6	Single	1645	1645	11	GCE4	12.5	12	10.5	13.125	13	10.5	5
URS000141	2X 13.6	Dual	2X 1645	3290	2X 11	GCE8	19.5	19	17.5	13.125	13	10.5	5
URS000142	13.6	Single	3481	3481	16	GCE6	19.5	19	17.5	10.125	10	7.5	5

Title: Yaskawa Braking Resistors

Product(s): All Drives

Doc. No. PN.RESISTORS.01

Resistors by Part Number (Continued)

Part Number	Resistance (ohms)	Type	Watts	Total Watts	Amps RMS	Enclosure Type	W1 (in)	W2 (in)	W3 (in)	D1 (in)	D2 (in)	D3 (in)	H (in)
URS000143	2X 13.6	Dual	2X 3481	6962	2X 16	GCE18	28.5	28	26.5	10.125	10	7.5	10
URS000144	13.6	Single	5440	5440	20	GCE9	27	26.5	25	10.125	10	7.5	5
URS000145	2X 13.6	Dual	2X 5440	10880	2X 20	GCE18	28.5	28	26.5	10.125	10	7.5	10
URS000146	17	Single	4352	4352	16	GCE8	19.5	19	17.5	13.125	13	10.5	5
URS000147	2X 17	Dual	2X 4352	8704	2X 16	GCE24	28.5	28	26.5	13.125	13	10.5	10
URS000148	18	Single	1300	1300	8.5	GCE3	12.5	12	10.5	10.125	10	7.5	5
URS000149	2X 18	Dual	2X 1300	2600	2X 8.5	GCE6	19.5	19	17.5	10.125	10	7.5	5
URS000150	18	Single	2635	2635	12.1	GCE6	19.5	19	17.5	10.125	10	7.5	5
URS000151	2X 18	Dual	2X 2635	5270	2X 12.1	GCE12	27	26.5	25	13.125	13	10.5	5
URS000152	27.2	Single	1332	1332	7	GCE3	12.5	12	10.5	10.125	10	7.5	5
URS000153	2X 27.2	Dual	2X 1332	2664	2X 7	GCE6	19.5	19	17.5	10.125	10	7.5	5
URS000154	27.2	Single	2720	2720	10	GCE8	19.5	19	17.5	13.125	13	10.5	5
URS000155	2X 27.2	Dual	2X 2720	5440	2X 10	GCE18	28.5	28	26.5	10.125	10	7.5	10
URS000156	42.5	Single	2082	2082	7	GCE5	12.5	12	10.5	16.125	16	13.5	5
URS000157	2X 42.5	Dual	2X 2082	4164	2X 7	GCE10	19.5	19	17.5	16.125	16	13.5	5
URS000158	2X 2.1	Dual	2X 5250	10500	2X 50	GCE18	28.5	28	26.5	10.125	10	7.5	10
URS000159	3.2	Single	3276	3276	32	GCE9	27	26.5	25	10.125	10	7.5	5
URS000160	2X 3.2	Dual	2X 3276	6552	2X 32	GCE18	28.5	28	26.5	10.125	10	7.5	10
URS000161	3X 3.2	Triple	3X 3276	9828	3X 32	GCE18	28.5	28	26.5	10.125	10	7.5	10
URS000162	3.2	Single	6771	6771	46	GCE12	27	26.5	25	13.125	13	10.5	5
URS000163	2X 3.2	Dual	2X 6771	13542	2X 46	GCE24	28.5	28	26.5	13.125	13	10.5	10
URS000164	3X 3.2	Triple	3X 6771	20313	3X 46	ED2	18	18	16	30	30	28	16
URS000165	3.2	Single	13107	13107	64	GCE24	28.5	28	26.5	13.125	13	10.5	10
URS000166	2X 3.2	Dual	2X 13107	26214	2X 64	ED3	18	18	16	30	30	28	24
URS000167	3X 3.2	Triple	3X 13107	39321	3X 64	ED4	18	18	16	30	30	28	32
URS000168	3.5	Single	21294	21294	78	ED2	18	18	16	30	30	28	16
URS000169	2X 3.5	Dual	2X 21294	42588	2X 78	ED4	18	18	16	30	30	28	32
URS000170	3X 3.5	Triple	3X 21294	63882	3X 78	ED6	18	18	16	30	30	28	48
URS000171	4.2	Single	2839	2839	26	GCE9	27	26.5	25	10.125	10	7.5	5
URS000172	2X 4.2	Dual	2X 2839	5678	2X 26	GCE18	28.5	28	26.5	10.125	10	7.5	10
URS000219	575	Single	134	134	0.48	GCE1	12.5	12	10.5	5.125	5	---	5
URS000220	400	Single	201	201	0.71	GCE1	12.5	12	10.5	5.125	5	---	5
URS000221	235	Single	336	336	1.2	GCE1	12.5	12	10.5	5.125	5	---	5
URS000222	150	Single	504	504	1.83	GCE2	12.5	12	10.5	7.125	7	4.5	5
URS000223	120	Single	671	671	2.37	GCE3	12.5	12	10.5	10.125	10	7.5	5
URS000224	78	Single	1007	1007	3.59	GCE3	12.5	12	10.5	10.125	10	7.5	5

Title: Yaskawa Braking Resistors

Product(s): All Drives

Doc. No. PN.RESISTORS.01

Resistors by Part Number (Continued)

Part Number	Resistance (ohms)	Type	Watts	Total Watts	Amps RMS	Enclosure Type	W1 (in)	W2 (in)	W3 (in)	D1 (in)	D2 (in)	D3 (in)	H (in)
URS000225	59	Single	1343	1343	4.77	GCE4	12.5	12	10.5	13.125	13	10.5	5
URS000226	47	Single	1679	1679	5.98	GCE5	12.5	12	10.5	16.125	16	13.5	5
URS000227	39	Single	2014	2014	7.19	GCE6	19.5	19	17.5	10.125	10	7.5	5
URS000229	400	Single	201	201	0.71	GCE1	12.5	12	10.5	5.125	5	---	5
URS000230	260	Single	302	302	1.08	GCE1	12.5	12	10.5	5.125	5	---	5
URS000231	160	Single	504	504	1.77	GCE2	12.5	12	10.5	7.125	7	4.5	5
URS000232	100	Single	755	755	2.75	GCE3	12.5	12	10.5	10.125	10	7.5	5
URS000233	80	Single	1007	1007	3.55	GCE3	12.5	12	10.5	10.125	10	7.5	5
URS000234	52	Single	1511	1511	5.39	GCE4	12.5	12	10.5	13.125	13	10.5	5
URS000235	39	Single	2014	2014	7.19	GCE6	19.5	19	17.5	10.125	10	7.5	5
URS000236	26	Single	3021	3021	10.78	GCE9	27	26.5	25	10.125	10	7.5	5
URS000239	32	Single	2518	2518	8.87	GCE8	19.5	19	17.5	13.125	13	10.5	5
URS000240	750	Single	67	67	0.3	GCE1	12.5	12	10.5	5.125	5	---	5
URS000241	375	Single	134	134	0.6	GCE1	12.5	12	10.5	5.125	5	---	5
URS000242	250	Single	201	201	0.9	GCE1	12.5	12	10.5	5.125	5	---	5
URS000243	150	Single	336	336	1.5	GCE2	12.5	12	10.5	7.125	7	4.5	5
URS000244	100	Single	504	504	2.24	GCE2	12.5	12	10.5	7.125	7	4.5	5
URS000245	75	Single	671	671	2.99	GCE2	12.5	12	10.5	7.125	7	4.5	5
URS000246	50	Single	1007	1007	4.49	GCE3	12.5	12	10.5	10.125	10	7.5	5
URS000247	38	Single	1343	1343	5.94	GCE4	12.5	12	10.5	13.125	13	10.5	5
URS000248	30	Single	1679	1679	7.48	GCE5	12.5	12	10.5	16.125	16	13.5	5
URS000249	25	Single	2014	2014	8.98	GCE6	19.5	19	17.5	10.125	10	7.5	5
URS000250	19	Single	2686	2686	11.89	GCE8	19.5	19	17.5	13.125	13	10.5	5
URS000251	15	Single	3357	3357	14.96	GCE8	19.5	19	17.5	13.125	13	10.5	5
URS000252	500	Single	101	101	0.45	GCE1	12.5	12	10.5	5.125	5	---	5
URS000253	250	Single	201	201	0.9	GCE1	12.5	12	10.5	5.125	5	---	5
URS000254	170	Single	302	302	1.33	GCE1	12.5	12	10.5	5.125	5	---	5
URS000255	100	Single	504	504	2.24	GCE2	12.5	12	10.5	7.125	7	4.5	5
URS000256	67	Single	755	755	3.36	GCE3	12.5	12	10.5	10.125	10	7.5	5
URS000257	50	Single	1007	1007	4.49	GCE3	12.5	12	10.5	10.125	10	7.5	5
URS000258	34	Single	1511	1511	6.67	GCE4	12.5	12	10.5	13.125	13	10.5	5
URS000259	25	Single	2014	2014	8.89	GCE6	19.5	19	17.5	10.125	10	7.5	5
URS000260	17	Single	3021	3021	13.33	GCE9	27	26.5	25	10.125	10	7.5	5
URS000261	12.6	Single	4028	4028	17.88	GCE9	27	26.5	25	10.125	10	7.5	5
URS000262	250	Single	50	50	0.45	GCE1	12.5	12	10.5	5.125	5	---	5
URS000264	125	Single	101	101	0.9	GCE1	12.5	12	10.5	5.125	5	---	5

Title: Yaskawa Braking Resistors

Product(s): All Drives

Doc. No. PN.RESISTORS.01

Resistors by Part Number (Continued)

Part Number	Resistance (ohms)	Type	Watts	Total Watts	Amps RMS	Enclosure Type	W1 (in)	W2 (in)	W3 (in)	D1 (in)	D2 (in)	D3 (in)	H (in)
URS000265	95	Single	134	134	1.19	GCE1	12.5	12	10.5	5.125	5	---	5
URS000266	63	Single	201	201	1.79	GCE1	12.5	12	10.5	5.125	5	---	5
URS000267	38	Single	336	336	2.97	GCE1	12.5	12	10.5	5.125	5	---	5
URS000268	26	Single	504	504	4.4	GCE2	12.5	12	10.5	7.125	7	4.5	5
URS000269	19	Single	671	671	5.94	GCE2	12.5	12	10.5	7.125	7	4.5	5
URS000270	12.6	Single	1007	1007	8.94	GCE3	12.5	12	10.5	10.125	10	7.5	5
URS000271	9.6	Single	1343	1343	11.83	GCE4	12.5	12	10.5	13.125	13	10.5	5
URS000272	7.5	Single	1679	1679	14.96	GCE5	12.5	12	10.5	16.125	16	13.5	5
URS000273	6.3	Single	2014	2014	17.88	GCE6	19.5	19	17.5	10.125	10	7.5	5
URS000274	4.9	Single	2686	2686	23.41	GCE6	19.5	19	17.5	10.125	10	7.5	5
URS000275	170	Single	76	76	0.67	GCE1	12.5	12	10.5	5.125	5	---	5
URS000276	125	Single	101	101	0.9	GCE1	12.5	12	10.5	5.125	5	---	5
URS000277	85	Single	151	151	1.33	GCE1	12.5	12	10.5	5.125	5	---	5
URS000278	63	Single	201	201	1.79	GCE1	12.5	12	10.5	5.125	5	---	5
URS000279	42	Single	302	302	2.68	GCE1	12.5	12	10.5	5.125	5	---	5
URS000280	25	Single	504	504	4.49	GCE2	12.5	12	10.5	7.125	7	4.5	5
URS000282	12.6	Single	1007	1007	8.94	GCE3	12.5	12	10.5	10.125	10	7.5	5
URS000283	8.4	Single	1511	1511	13.41	GCE5	12.5	12	10.5	16.125	16	13.5	5
URS000284	6.3	Single	2014	2014	17.88	GCE6	19.5	19	17.5	10.125	10	7.5	5
URS000285	5	Single	2581	2581	22.44	GCE6	19.5	19	17.5	10.125	10	7.5	5
URS000286	4.2	Single	3021	3021	26.82	GCE8	19.5	19	17.5	13.125	13	10.5	5
URS000368	34	Single	373	373	3.31	GCE1	12.5	12	10.5	5.125	5	---	5
URS000369	9.2	Single	1492	1492	12.73	GCE4	12.5	12	10.5	13.125	13	10.5	5
URS000370	6.9	Single	1865	1865	16.44	GCE6	19.5	19	17.5	10.125	10	7.5	5
URS000371	6.6	Single	2238	2238	18.41	GCE6	19.5	19	17.5	10.125	10	7.5	5
URS000372	4.6	Single	2984	2984	25.47	GCE6	19.5	19	17.5	10.125	10	7.5	5
URS000373	4.2	Single	3740	3740	29.84	GCE9	27	26.5	25	10.125	10	7.5	5
URS000374	740	Single	76	76	0.32	GCE1	12.5	12	10.5	5.125	5	---	5
URS000375	138	Single	373	373	1.64	GCE1	12.5	12	10.5	5.125	5	---	5
URS000376	22.2	Single	2238	2238	10.04	GCE6	19.5	19	17.5	10.125	10	7.5	5
URS000377	18.5	Single	2984	2984	12.7	GCE8	19.5	19	17.5	13.125	13	10.5	5
URS000378	13.9	Single	3730	3730	16.38	GCE6	19.5	19	17.5	10.125	10	7.5	5
URS000379	11.1	Single	4476	4476	20.08	GCE9	27	26.5	25	10.125	10	7.5	5
URS000380	9.2	Single	5595	5595	24.66	GCE12	27	26.5	25	13.125	13	10.5	5
URS000381	7.4	Single	7460	7460	31.75	GCE15	27	26.5	25	16.125	16	13.5	5
URS000382	5.6	Single	9325	9325	40.81	GCE18	28.5	28	26.5	10.125	10	7.5	10

Title: Yaskawa Braking Resistors

Product(s): All Drives

Doc. No. PN.RESISTORS.01

Resistors by Part Number (Continued)

Part Number	Resistance (ohms)	Type	Watts	Total Watts	Amps RMS	Enclosure Type	W1 (in)	W2 (in)	W3 (in)	D1 (in)	D2 (in)	D3 (in)	H (in)
USR000022	200	Single	250	250	1.12	GCE1	12.5	12	10.5	5.125	5	---	5
USR000023	100	Single	250	250	1.58	GCE1	12.5	12	10.5	5.125	5	---	5
USR000024	70	Single	250	250	1.89	GCE1	12.5	12	10.5	5.125	5	---	5
USR000025	40	Single	846	846	4.6	GCE2	12.5	12	10.5	7.125	7	4.5	5
USR000026	30	Single	824	824	5.24	GCE2	12.5	12	10.5	7.125	7	4.5	5
USR000027	20	Single	1260	1260	7.94	GCE3	12.5	12	10.5	10.125	10	7.5	5
USR000032	750	Single	600	600	0.89	GCE2	12.5	12	10.5	7.125	7	4.5	5
USR000033	400	Single	500	500	1.12	GCE1	12.5	12	10.5	5.125	5	---	5
USR000034	250	Single	500	500	1.41	GCE1	12.5	12	10.5	5.125	5	---	5
USR000035	150	Single	500	500	1.83	GCE1	12.5	12	10.5	5.125	5	---	5
USR000036	100	Single	975	975	3.12	GCE2	12.5	12	10.5	7.125	7	4.5	5
USR000037	75	Single	1050	1050	3.74	GCE3	12.5	12	10.5	10.125	10	7.5	5
USR000038	50	Single	1600	1600	5.66	GCE4	12.5	12	10.5	13.125	13	10.5	5
USR000039	40	Single	2050	2050	7.16	GCE6	19.5	19	17.5	10.125	10	7.5	5
USR000040	32	Single	2340	2340	8.55	GCE6	19.5	19	17.5	10.125	10	7.5	5
USR000052	38	Single	3248	3248	9.25	GCE8	19.5	19	17.5	13.125	13	10.5	5
USR000061	200	Single	480	480	1.55	GCE1	12.5	12	10.5	5.125	5	---	5
USR000062	100	Single	954	954	3.09	GCE2	12.5	12	10.5	7.125	7	4.5	5
USR000063	70	Single	1364	1364	4.41	GCE3	12.5	12	10.5	10.125	10	7.5	5
USR000064	40	Single	2400	2400	7.75	GCE6	19.5	19	17.5	10.125	10	7.5	5
USR000065	30	Single	3182	3182	10.3	GCE8	19.5	19	17.5	13.125	13	10.5	5
USR000066	20	Single	4775	4775	15.45	GCE9	27	26.5	25	10.125	10	7.5	5
USR000068	400	Single	950	950	1.54	GCE2	12.5	12	10.5	7.125	7	4.5	5
USR000069	250	Single	1530	1530	2.47	GCE4	12.5	12	10.5	13.125	13	10.5	5
USR000070	150	Single	2550	2550	4.12	GCE6	19.5	19	17.5	10.125	10	7.5	5
USR000071	100	Single	3820	3820	6.18	GCE8	19.5	19	17.5	13.125	13	10.5	5
USR000072	75	Single	5100	5100	8.25	GCE12	27	26.5	25	13.125	13	10.5	5
USR000073	50	Single	5100	5100	10.1	GCE12	27	26.5	25	13.125	13	10.5	5
USR000074	40	Single	9350	9350	15.29	GCE18	28.5	28	26.5	10.125	10	7.5	10

Title: Yaskawa Braking Resistors

Product(s): All Drives

Doc. No. PN.RESISTORS.01

Resistors by Resistance

Part Number	Resistance (ohms)	Type	Watts	Total Watts	Amps RMS	Enclosure Type	W1 (in)	W2 (in)	W3 (in)	D1 (in)	D2 (in)	D3 (in)	H (in)
URS000092	1.6	Single	1638	1638	32	GCE9	27	26.5	25	10.125	10	7.5	5
URS000094	1.6	Single	3385	3385	46	GCE9	27	26.5	25	10.125	10	7.5	5
URS000096	1.6	Single	6553	6553	64	GCE12	27	26.5	25	13.125	13	10.5	5
URS000098	2.1	Single	2721	2721	36	GCE9	27	26.5	25	10.125	10	7.5	5
URS000100	2.1	Single	5250	5250	50	GCE9	27	26.5	25	10.125	10	7.5	5
URS000159	3.2	Single	3276	3276	32	GCE9	27	26.5	25	10.125	10	7.5	5
URS000162	3.2	Single	6771	6771	46	GCE12	27	26.5	25	13.125	13	10.5	5
URS000165	3.2	Single	13107	13107	64	GCE24	28.5	28	26.5	13.125	13	10.5	10
URS000168	3.5	Single	21294	21294	78	ED2	18	18	16	30	30	28	16
URS000117	4.2	Single	5443	5443	36	GCE9	27	26.5	25	10.125	10	7.5	5
URS000119	4.2	Single	10500	10500	50	GCE18	28.5	28	26.5	10.125	10	7.5	10
URS000122	4.2	Single	17203	17203	64	GCE30	28.5	28	26.5	16.125	16	13.5	10
URS000171	4.2	Single	2839	2839	26	GCE9	27	26.5	25	10.125	10	7.5	5
URS000286	4.2	Single	3021	3021	26.82	GCE8	19.5	19	17.5	13.125	13	10.5	5
URS000373	4.2	Single	3740	3740	29.84	GCE9	27	26.5	25	10.125	10	7.5	5
URS000372	4.6	Single	2984	2984	25.47	GCE6	19.5	19	17.5	10.125	10	7.5	5
URS000124	4.9	Single	6350	6350	36	GCE12	27	26.5	25	13.125	13	10.5	5
URS000274	4.9	Single	2686	2686	23.41	GCE6	19.5	19	17.5	10.125	10	7.5	5
URS000285	5	Single	2581	2581	22.44	GCE6	19.5	19	17.5	10.125	10	7.5	5
URS000125	5.2	Single	14060	14060	52	GCE24	28.5	28	26.5	13.125	13	10.5	10
URS000382	5.6	Single	9325	9325	40.81	GCE18	28.5	28	26.5	10.125	10	7.5	10
URS000273	6.3	Single	2014	2014	17.88	GCE6	19.5	19	17.5	10.125	10	7.5	5
URS000284	6.3	Single	2014	2014	17.88	GCE6	19.5	19	17.5	10.125	10	7.5	5
URS000371	6.6	Single	2238	2238	18.41	GCE6	19.5	19	17.5	10.125	10	7.5	5
URS000126	6.8	Single	915	915	11.6	GCE2	12.5	12	10.5	7.125	7	4.5	5
URS000128	6.8	Single	1740	1740	16	GCE6	19.5	19	17.5	10.125	10	7.5	5
URS000130	6.8	Single	2203	2203	18	GCE6	19.5	19	17.5	10.125	10	7.5	5
URS000370	6.9	Single	1865	1865	16.44	GCE6	19.5	19	17.5	10.125	10	7.5	5
URS000381	7.4	Single	7460	7460	31.75	GCE15	27	26.5	25	16.125	16	13.5	5
URS000272	7.5	Single	1679	1679	14.96	GCE5	12.5	12	10.5	16.125	16	13.5	5
URS000283	8.4	Single	1511	1511	13.41	GCE5	12.5	12	10.5	16.125	16	13.5	5
URS000132	9	Single	761	761	9.2	GCE2	12.5	12	10.5	7.125	7	4.5	5
URS000134	9	Single	1296	1296	12	GCE4	12.5	12	10.5	13.125	13	10.5	5
URS000369	9.2	Single	1492	1492	12.73	GCE4	12.5	12	10.5	13.125	13	10.5	5
URS000380	9.2	Single	5595	5595	24.66	GCE12	27	26.5	25	13.125	13	10.5	5
URS000271	9.6	Single	1343	1343	11.83	GCE4	12.5	12	10.5	13.125	13	10.5	5

Title: Yaskawa Braking Resistors

Product(s): All Drives

Doc. No. PN.RESISTORS.01

Resistors by Resistance (Continued)

Part Number	Resistance (ohms)	Type	Watts	Total Watts	Amps RMS	Enclosure Type	W1 (in)	W2 (in)	W3 (in)	D1 (in)	D2 (in)	D3 (in)	H (in)
URS000136	10.5	Single	3402	3402	18	GCE9	27	26.5	25	10.125	10	7.5	5
URS000138	10.5	Single	7098	7098	26	GCE12	27	26.5	25	13.125	13	10.5	5
URS000379	11.1	Single	4476	4476	20.08	GCE9	27	26.5	25	10.125	10	7.5	5
URS000261	12.6	Single	4028	4028	17.88	GCE9	27	26.5	25	10.125	10	7.5	5
URS000270	12.6	Single	1007	1007	8.94	GCE3	12.5	12	10.5	10.125	10	7.5	5
URS000282	12.6	Single	1007	1007	8.94	GCE3	12.5	12	10.5	10.125	10	7.5	5
URS000140	13.6	Single	1645	1645	11	GCE4	12.5	12	10.5	13.125	13	10.5	5
URS000142	13.6	Single	3481	3481	16	GCE6	19.5	19	17.5	10.125	10	7.5	5
URS000144	13.6	Single	5440	5440	20	GCE9	27	26.5	25	10.125	10	7.5	5
URS000378	13.9	Single	3730	3730	16.38	GCE6	19.5	19	17.5	10.125	10	7.5	5
URS000251	15	Single	3357	3357	14.96	GCE8	19.5	19	17.5	13.125	13	10.5	5
URS000146	17	Single	4352	4352	16	GCE8	19.5	19	17.5	13.125	13	10.5	5
URS000260	17	Single	3021	3021	13.33	GCE9	27	26.5	25	10.125	10	7.5	5
URS000148	18	Single	1300	1300	8.5	GCE3	12.5	12	10.5	10.125	10	7.5	5
URS000150	18	Single	2635	2635	12.1	GCE6	19.5	19	17.5	10.125	10	7.5	5
URS000377	18.5	Single	2984	2984	12.7	GCE8	19.5	19	17.5	13.125	13	10.5	5
URS000250	19	Single	2686	2686	11.89	GCE8	19.5	19	17.5	13.125	13	10.5	5
URS000269	19	Single	671	671	5.94	GCE2	12.5	12	10.5	7.125	7	4.5	5
USR000027	20	Single	1260	1260	7.94	GCE3	12.5	12	10.5	10.125	10	7.5	5
USR000066	20	Single	4775	4775	15.45	GCE9	27	26.5	25	10.125	10	7.5	5
URS000376	22.2	Single	2238	2238	10.04	GCE6	19.5	19	17.5	10.125	10	7.5	5
URS000249	25	Single	2014	2014	8.98	GCE6	19.5	19	17.5	10.125	10	7.5	5
URS000259	25	Single	2014	2014	8.89	GCE6	19.5	19	17.5	10.125	10	7.5	5
URS000280	25	Single	504	504	4.49	GCE2	12.5	12	10.5	7.125	7	4.5	5
URS000236	26	Single	3021	3021	10.78	GCE9	27	26.5	25	10.125	10	7.5	5
URS000268	26	Single	504	504	4.4	GCE2	12.5	12	10.5	7.125	7	4.5	5
URS000152	27.2	Single	1332	1332	7	GCE3	12.5	12	10.5	10.125	10	7.5	5
URS000154	27.2	Single	2720	2720	10	GCE8	19.5	19	17.5	13.125	13	10.5	5
URS000248	30	Single	1679	1679	7.48	GCE5	12.5	12	10.5	16.125	16	13.5	5
USR000026	30	Single	824	824	5.24	GCE2	12.5	12	10.5	7.125	7	4.5	5
USR000065	30	Single	3182	3182	10.3	GCE8	19.5	19	17.5	13.125	13	10.5	5
URS000239	32	Single	2518	2518	8.87	GCE8	19.5	19	17.5	13.125	13	10.5	5
USR000040	32	Single	2340	2340	8.55	GCE6	19.5	19	17.5	10.125	10	7.5	5
URS000258	34	Single	1511	1511	6.67	GCE4	12.5	12	10.5	13.125	13	10.5	5
URS000368	34	Single	373	373	3.31	GCE1	12.5	12	10.5	5.125	5	---	5
URS000247	38	Single	1343	1343	5.94	GCE4	12.5	12	10.5	13.125	13	10.5	5

Title: Yaskawa Braking Resistors

Product(s): All Drives

Doc. No. PN.RESISTORS.01

Resistors by Resistance (Continued)

Part Number	Resistance (ohms)	Type	Watts	Total Watts	Amps RMS	Enclosure Type	W1 (in)	W2 (in)	W3 (in)	D1 (in)	D2 (in)	D3 (in)	H (in)
URS000267	38	Single	336	336	2.97	GCE1	12.5	12	10.5	5.125	5	---	5
USR000052	38	Single	3248	3248	9.25	GCE8	19.5	19	17.5	13.125	13	10.5	5
URS000227	39	Single	2014	2014	7.19	GCE6	19.5	19	17.5	10.125	10	7.5	5
URS000235	39	Single	2014	2014	7.19	GCE6	19.5	19	17.5	10.125	10	7.5	5
USR000025	40	Single	846	846	4.6	GCE2	12.5	12	10.5	7.125	7	4.5	5
USR000039	40	Single	2050	2050	7.16	GCE6	19.5	19	17.5	10.125	10	7.5	5
USR000064	40	Single	2400	2400	7.75	GCE6	19.5	19	17.5	10.125	10	7.5	5
USR000074	40	Single	9350	9350	15.29	GCE18	28.5	28	26.5	10.125	10	7.5	10
URS000279	42	Single	302	302	2.68	GCE1	12.5	12	10.5	5.125	5	---	5
URS000156	42.5	Single	2082	2082	7	GCE5	12.5	12	10.5	16.125	16	13.5	5
URS000226	47	Single	1679	1679	5.98	GCE5	12.5	12	10.5	16.125	16	13.5	5
URS000246	50	Single	1007	1007	4.49	GCE3	12.5	12	10.5	10.125	10	7.5	5
URS000257	50	Single	1007	1007	4.49	GCE3	12.5	12	10.5	10.125	10	7.5	5
USR000038	50	Single	1600	1600	5.66	GCE4	12.5	12	10.5	13.125	13	10.5	5
USR000073	50	Single	5100	5100	10.1	GCE12	27	26.5	25	13.125	13	10.5	5
URS000234	52	Single	1511	1511	5.39	GCE4	12.5	12	10.5	13.125	13	10.5	5
URS000225	59	Single	1343	1343	4.77	GCE4	12.5	12	10.5	13.125	13	10.5	5
URS000266	63	Single	201	201	1.79	GCE1	12.5	12	10.5	5.125	5	---	5
URS000278	63	Single	201	201	1.79	GCE1	12.5	12	10.5	5.125	5	---	5
URS000256	67	Single	755	755	3.36	GCE3	12.5	12	10.5	10.125	10	7.5	5
USR000024	70	Single	250	250	1.89	GCE1	12.5	12	10.5	5.125	5	---	5
USR000063	70	Single	1364	1364	4.41	GCE3	12.5	12	10.5	10.125	10	7.5	5
URS000245	75	Single	671	671	2.99	GCE2	12.5	12	10.5	7.125	7	4.5	5
USR000037	75	Single	1050	1050	3.74	GCE3	12.5	12	10.5	10.125	10	7.5	5
USR000072	75	Single	5100	5100	8.25	GCE12	27	26.5	25	13.125	13	10.5	5
URS000224	78	Single	1007	1007	3.59	GCE3	12.5	12	10.5	10.125	10	7.5	5
URS000233	80	Single	1007	1007	3.55	GCE3	12.5	12	10.5	10.125	10	7.5	5
URS000277	85	Single	151	151	1.33	GCE1	12.5	12	10.5	5.125	5	---	5
URS000265	95	Single	134	134	1.19	GCE1	12.5	12	10.5	5.125	5	---	5
URS000232	100	Single	755	755	2.75	GCE3	12.5	12	10.5	10.125	10	7.5	5
URS000244	100	Single	504	504	2.24	GCE2	12.5	12	10.5	7.125	7	4.5	5
URS000255	100	Single	504	504	2.24	GCE2	12.5	12	10.5	7.125	7	4.5	5
USR000023	100	Single	250	250	1.58	GCE1	12.5	12	10.5	5.125	5	---	5
USR000036	100	Single	975	975	3.12	GCE2	12.5	12	10.5	7.125	7	4.5	5
USR000062	100	Single	954	954	3.09	GCE2	12.5	12	10.5	7.125	7	4.5	5
USR000071	100	Single	3820	3820	6.18	GCE8	19.5	19	17.5	13.125	13	10.5	5

Title: Yaskawa Braking Resistors

Product(s): All Drives

Doc. No. PN.RESISTORS.01

Resistors by Resistance (Continued)

Part Number	Resistance (ohms)	Type	Watts	Total Watts	Amps RMS	Enclosure Type	W1 (in)	W2 (in)	W3 (in)	D1 (in)	D2 (in)	D3 (in)	H (in)
URS000223	120	Single	671	671	2.37	GCE3	12.5	12	10.5	10.125	10	7.5	5
URS000264	125	Single	101	101	0.9	GCE1	12.5	12	10.5	5.125	5	---	5
URS000276	125	Single	101	101	0.9	GCE1	12.5	12	10.5	5.125	5	---	5
URS000375	138	Single	373	373	1.64	GCE1	12.5	12	10.5	5.125	5	---	5
URS000222	150	Single	504	504	1.83	GCE2	12.5	12	10.5	7.125	7	4.5	5
URS000243	150	Single	336	336	1.5	GCE2	12.5	12	10.5	7.125	7	4.5	5
USR000035	150	Single	500	500	1.83	GCE1	12.5	12	10.5	5.125	5	---	5
USR000070	150	Single	2550	2550	4.12	GCE6	19.5	19	17.5	10.125	10	7.5	5
URS000231	160	Single	504	504	1.77	GCE2	12.5	12	10.5	7.125	7	4.5	5
URS000254	170	Single	302	302	1.33	GCE1	12.5	12	10.5	5.125	5	---	5
URS000275	170	Single	76	76	0.67	GCE1	12.5	12	10.5	5.125	5	---	5
USR000022	200	Single	250	250	1.12	GCE1	12.5	12	10.5	5.125	5	---	5
USR000061	200	Single	480	480	1.55	GCE1	12.5	12	10.5	5.125	5	---	5
URS000221	235	Single	336	336	1.2	GCE1	12.5	12	10.5	5.125	5	---	5
URS000242	250	Single	201	201	0.9	GCE1	12.5	12	10.5	5.125	5	---	5
URS000253	250	Single	201	201	0.9	GCE1	12.5	12	10.5	5.125	5	---	5
URS000262	250	Single	50	50	0.45	GCE1	12.5	12	10.5	5.125	5	---	5
USR000034	250	Single	500	500	1.41	GCE1	12.5	12	10.5	5.125	5	---	5
USR000069	250	Single	1530	1530	2.47	GCE4	12.5	12	10.5	13.125	13	10.5	5
URS000230	260	Single	302	302	1.08	GCE1	12.5	12	10.5	5.125	5	---	5
URS000241	375	Single	134	134	0.6	GCE1	12.5	12	10.5	5.125	5	---	5
URS000220	400	Single	201	201	0.71	GCE1	12.5	12	10.5	5.125	5	---	5
URS000229	400	Single	201	201	0.71	GCE1	12.5	12	10.5	5.125	5	---	5
USR000033	400	Single	500	500	1.12	GCE1	12.5	12	10.5	5.125	5	---	5
USR000068	400	Single	950	950	1.54	GCE2	12.5	12	10.5	7.125	7	4.5	5
URS000252	500	Single	101	101	0.45	GCE1	12.5	12	10.5	5.125	5	---	5
URS000219	575	Single	134	134	0.48	GCE1	12.5	12	10.5	5.125	5	---	5
URS000374	740	Single	76	76	0.32	GCE1	12.5	12	10.5	5.125	5	---	5
URS000240	750	Single	67	67	0.3	GCE1	12.5	12	10.5	5.125	5	---	5
USR000032	750	Single	600	600	0.89	GCE2	12.5	12	10.5	7.125	7	4.5	5
URS000093	2X 1.6	Dual	2X 1638	3276	2X 32	GCE9	27	26.5	25	10.125	10	7.5	5
URS000095	2X 1.6	Dual	2X 3385	6770	2X 46	GCE12	27	26.5	25	13.125	13	10.5	5
URS000097	2X 1.6	Dual	2X 6553	13106	2X 64	GCE24	28.5	28	26.5	13.125	13	10.5	10
URS000137	2X 10.5	Dual	2X 3402	6804	2X 18	GCE12	27	26.5	25	13.125	13	10.5	5
URS000139	2X 10.5	Dual	2X 7098	14196	2X 26	GCE24	28.5	28	26.5	13.125	13	10.5	10
URS000141	2X 13.6	Dual	2X 1645	3290	2X 11	GCE8	19.5	19	17.5	13.125	13	10.5	5

Title: Yaskawa Braking Resistors

Product(s): All Drives

Doc. No. PN.RESISTORS.01

Resistors by Resistance (Continued)

Part Number	Resistance (ohms)	Type	Watts	Total Watts	Amps RMS	Enclosure Type	W1 (in)	W2 (in)	W3 (in)	D1 (in)	D2 (in)	D3 (in)	H (in)
URS000143	2X 13.6	Dual	2X 3481	6962	2X 16	GCE18	28.5	28	26.5	10.125	10	7.5	10
URS000145	2X 13.6	Dual	2X 5440	10880	2X 20	GCE18	28.5	28	26.5	10.125	10	7.5	10
URS000147	2X 17	Dual	2X 4352	8704	2X 16	GCE24	28.5	28	26.5	13.125	13	10.5	10
URS000149	2X 18	Dual	2X 1300	2600	2X 8.5	GCE6	19.5	19	17.5	10.125	10	7.5	5
URS000151	2X 18	Dual	2X 2635	5270	2X 12.1	GCE12	27	26.5	25	13.125	13	10.5	5
URS000099	2X 2.1	Dual	2X 2721	5442	2X 36	GCE12	27	26.5	25	13.125	13	10.5	5
URS000158	2X 2.1	Dual	2X 5250	10500	2X 50	GCE18	28.5	28	26.5	10.125	10	7.5	10
URS000153	2X 27.2	Dual	2X 1332	2664	2X 7	GCE6	19.5	19	17.5	10.125	10	7.5	5
URS000155	2X 27.2	Dual	2X 2720	5440	2X 10	GCE18	28.5	28	26.5	10.125	10	7.5	10
URS000160	2X 3.2	Dual	2X 3276	6552	2X 32	GCE18	28.5	28	26.5	10.125	10	7.5	10
URS000163	2X 3.2	Dual	2X 6771	13542	2X 46	GCE24	28.5	28	26.5	13.125	13	10.5	10
URS000166	2X 3.2	Dual	2X 13107	26214	2X 64	ED3	18	18	16	30	30	28	24
URS000169	2X 3.5	Dual	2X 21294	42588	2X 78	ED4	18	18	16	30	30	28	32
URS000118	2X 4.2	Dual	2X 5443	10886	2X 36	GCE18	28.5	28	26.5	10.125	10	7.5	10
URS000120	2X 4.2	Dual	2X 10500	21000	2X 50	ED2	18	18	16	30	30	28	16
URS000123	2X 4.2	Dual	2X 17203	34406	2X 64	ED2	18	18	16	30	30	28	16
URS000172	2X 4.2	Dual	2X 2839	5678	2X 26	GCE18	28.5	28	26.5	10.125	10	7.5	10
URS000157	2X 42.5	Dual	2X 2082	4164	2X 7	GCE10	19.5	19	17.5	16.125	16	13.5	5
URS000127	2X 6.8	Dual	2X 915	1830	2X 11.6	GCE4	12.5	12	10.5	13.125	13	10.5	5
URS000129	2X 6.8	Dual	2X 1740	3480	2X 16	GCE8	19.5	19	17.5	13.125	13	10.5	5
URS000131	2X 6.8	Dual	2X 2203	4406	2X 18	GCE8	19.5	19	17.5	13.125	13	10.5	5
URS000133	2X 9	Dual	2X 761	1522	2X 9.2	GCE4	12.5	12	10.5	13.125	13	10.5	5
URS000135	2X 9	Dual	2X 1296	2592	2X 12	GCE8	19.5	19	17.5	13.125	13	10.5	5
URS000161	3X 3.2	Triple	3X 3276	9828	3X 32	GCE18	28.5	28	26.5	10.125	10	7.5	10
URS000164	3X 3.2	Triple	3X 6771	20313	3X 46	ED2	18	18	16	30	30	28	16
URS000167	3X 3.2	Triple	3X 13107	39321	3X 64	ED4	18	18	16	30	30	28	32
URS000170	3X 3.5	Triple	3X 21294	63882	3X 78	ED6	18	18	16	30	30	28	48
URS000116	3X 4.2	Triple	3X 2839	8517	3X 26	GCE18	28.5	28	26.5	10.125	10	7.5	10
URS000121	3X 4.2	Triple	3X 10500	31500	3X 50	ED2	18	18	16	30	30	28	16