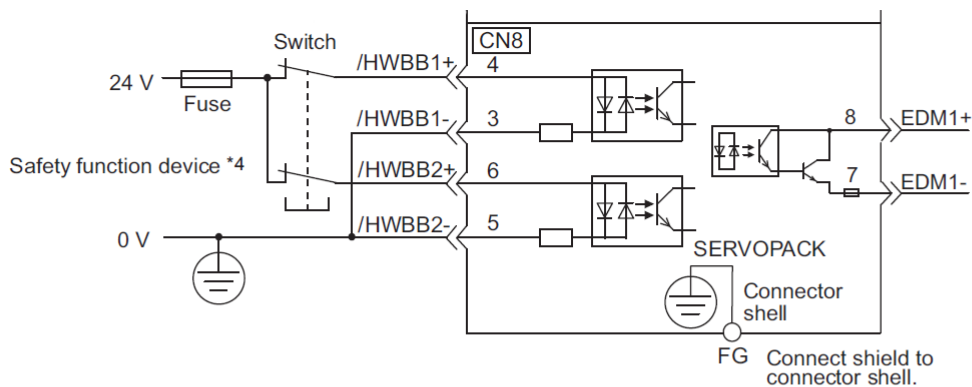


Title: What is the color code for the JZSP-CVH03 CN8 Safety Cable?

Product(s): SGD7, SGD7

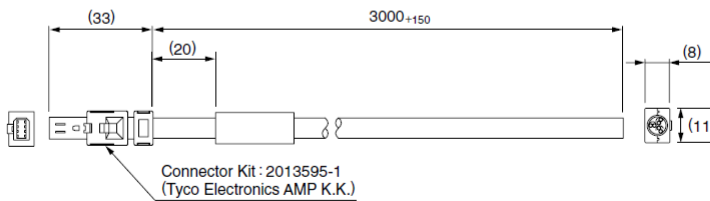
Doc. No. SRV-84MTJM

The color code documentation can be found in the Sigma-5 Series Product Catalog (YEA-KAEPS8000042) or the Sigma-7 Peripheral Device Selection Manual (SIEPS80000132).



(10) Cable with Connector for CN8
(Model: JZSP-CVH03-03-E)

· Dimensional Drawings



· Specifications

Pin No.	Signal	Lead Color	Marking Color
1	Not used	-	-
2	Not used	-	-
3	/HWBB1-	White	Black
4	/HWBB1+	White	Red
5	/HWBB2-	Gray	Black
6	/HWBB2+	Gray	Red
7	EDM1-	Orange	Black
8	EDM1+	Orange	Red