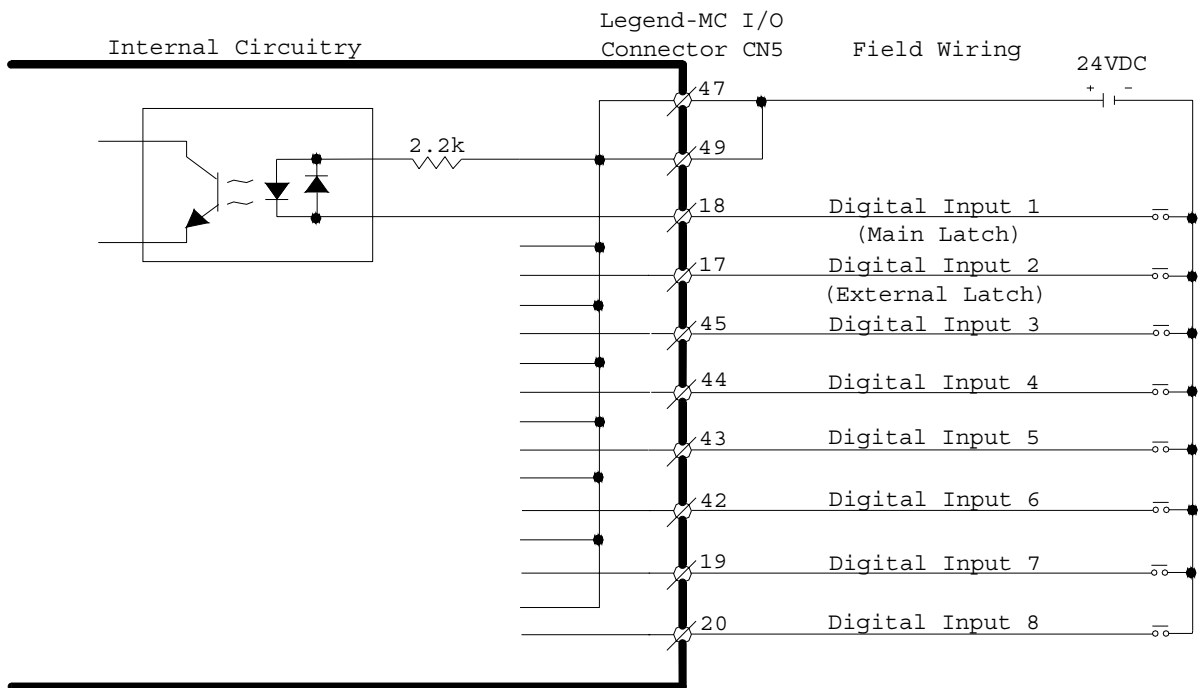


Digital I/O

Digital Input

Item	Specifications
Number of Input Points	8
Input Format	Sinking
Isolation	Optical
Voltage	24 VDC \pm 20%
Current Rating (ON)	5.3 mA to activate
Input Impedance	2.2k Ω
Operation Voltage	Logic 0 <5V Logic 1 >15V
OFF Current	0.9 mA or less
Response Time	OFF to ON: <0.5 ms ON to OFF: <1.5 ms
Latch response time	Less than 25 μ sec
Minimum latch width	9 μ sec

Note: Inputs float high unless the input is held low.



Digital Output

Item	Specifications
Number of Output Points	4
Output Format	Sinking
Output Classification	Transistor Output
Isolation	Optical
Load Voltage	24 VDC \pm 20%
Load Current	200 mA/Output (600 mA if activated individually)
Response Time	OFF to ON <0.25 ms ON to OFF <0.5 ms
External Common Power	24 VDC \pm 20% 15 mA
Common User Fuse Rating	1A
Individual User Fuse Rating	200 mA recommended

NOTE: The ULN 2803 output chip is capable of 600 mA at a single output, or 800mA for the four outputs simultaneously.

