

## Why does Alarm Code “3407 0204 - Unable to set configured network default gateway” appear and how to remedy?

### Why

By definition, the Default Gateway provides a default route for TCP/IP hosts to use when communicating with other hosts on remote networks.

The Default gateway address is used when the controller is on a network with a gateway device, which serves as an access point on another network.

### Remedy

Through the web server, click on *Ethernet Config*, type in the Default Gateway under *Global Settings*, click *Update Global Settings*, reboot the controller.

If the MPiec will not be on a network, set the Default Gateway to the same IP Address to avoid the gateway not found warning 3407 0204.

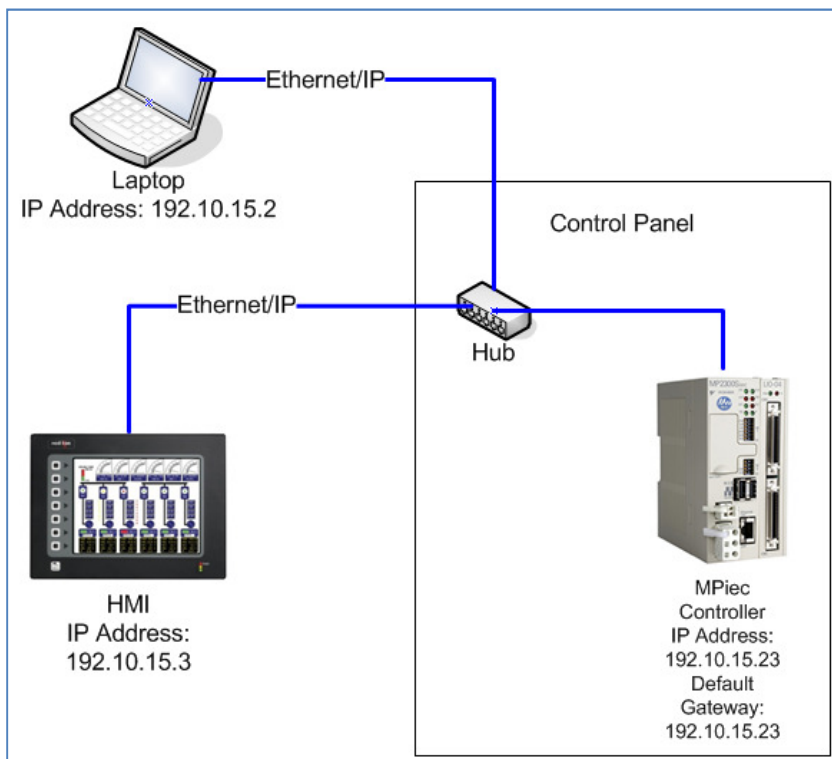
If the MPiec will be on a network, set the Default Gateway based on the router/switch settings.

### **Example 1 - MPiec NOT on a network**

An HMI is connected to an Ethernet switch or hub which is connected to the MPiec Controller and other Ethernet devices.

The HMI configuration: IP Address – 192.10.15.3; Default Gateway – 0.0.0.0.

The MPiec configuration: IP Address – 192.10.15.23. **Set the Default Gateway – 192.10.15.23.**



**Example 2 – MPiec IS on a network**

A master PC in a mainframe room wants to connect to the MPiec through the use of a default gateway device.

The HMI configuration: IP Address – 192.10.25.3; Default Gateway – 192.10.25.253.

The PC configuration: IP Address – 192.10.15.2; Default Gateway – 192.10.15.253.

The Switch is configured as below: (serving as the default gateway)

Port 1: IP Address – 192.10.15.253

Port 2: IP Address – 192.10.25.253

The MPiec Controller configuration: IP Address – 192.10.25.23; **Set the Default Gateway – 192.10.25.253.**

