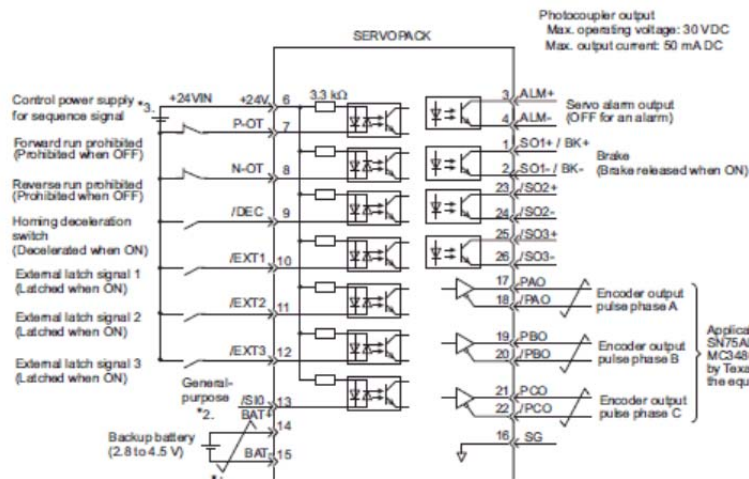


Additional Information

The Sigma-5 amplifier has 7 digital inputs and 3 digital outputs on the CN1 connector that can be configured to be programmable and accessible from an MPiec Series Controller.

- Both Inputs and Outputs circuits can be wired for sinking or sourcing.
- If outputs are chosen to be programmable, the built-in functionality for controlling a motor brake will be disabled. Yaskawa recommends that the brake functionality be maintained for applications that require a motor brake.



For more information, refer to SIEPS80000046 the Sigma-5 user manual.