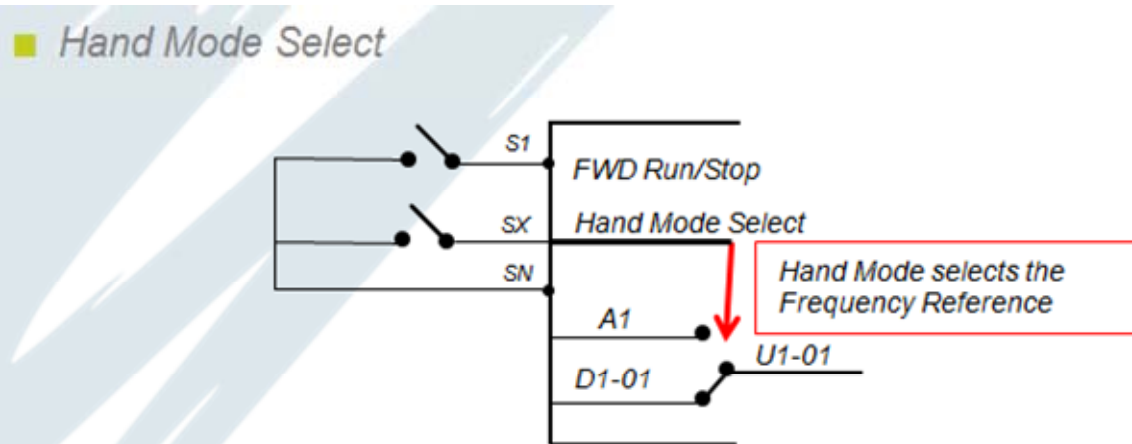


S5-04 = 1 or Legacy Operation Selection

| Legacy Operation Mode (S5-04 = 0) | | | |
|-----------------------------------|------------------------|--------------------------|--------------------------|
| Auto Mode Select State | Hand Mode Select State | Operation | Sequence Operation |
| Open | Open | Drive is in Off | Drive is in Off Position |
| Closed | Open | FREF = B1-01 | SEQ = B1-01 |
| Open | Closed | FREF = D1-01 | SEQ = B1-01 |
| Closed | Closed | Drive is in Off Position | Drive is in Off Position |



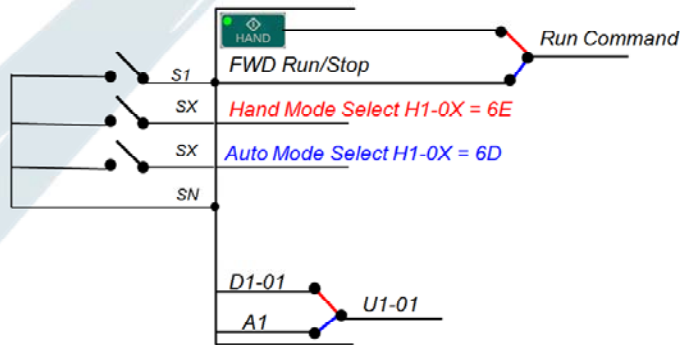
- *Hand Mode selects the Frequency Reference*
- *The run command must be cycled when Hand Mode Changes State*
- *Run command does not change*

A New Method, Normal Operation mode, controls both the frequency reference AND the run command. This is enabled by S5-04 = 1 (default). In this situation, the drives reference and sequence selection is based on the Auto and Hand Mode digital input.

S5-04 = 0 or Normal Operation Mode

| Normal Operation Mode (S5-04 = 1) | | | |
|-----------------------------------|------------------------|--------------------------|--------------------------|
| Auto Mode Select State | Hand Mode Select State | Reference Operation | Sequence Operation |
| Open | Open | Drive is in Off | Drive is in Off |
| Closed | Open | FREF = B1-01 | SEQ = B1-01 |
| Open | Closed | FREF = D1-01 | SEQ = RUN button |
| Closed | Closed | Drive is in Off Position | Drive is in Off Position |

■ Normal Operation Mode (S5-04 = 1)



■ Normal Operation mode

Both 6D and 6E functions need to be added to the H1 parameters in order to use this correctly. Otherwise an OPE03 alarm will be triggered.

S5-04 = 2 or Normal Operation Mode with Memory

This setting does NOT change the functionality of Normal Operation mode when using H1-0X = 6E or 6D and the user will not see any difference in functionality from S5-04 = 1. However, if no H1 parameters are set to 6E and 6D and the drive is being run through the keypad, the setting of S5-04 will make a difference.

If S5-04 = 2, the drive remembers its last state and powers up in this state.

