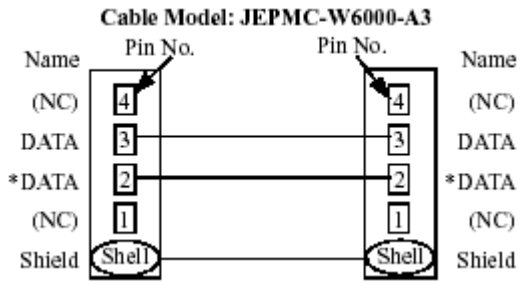
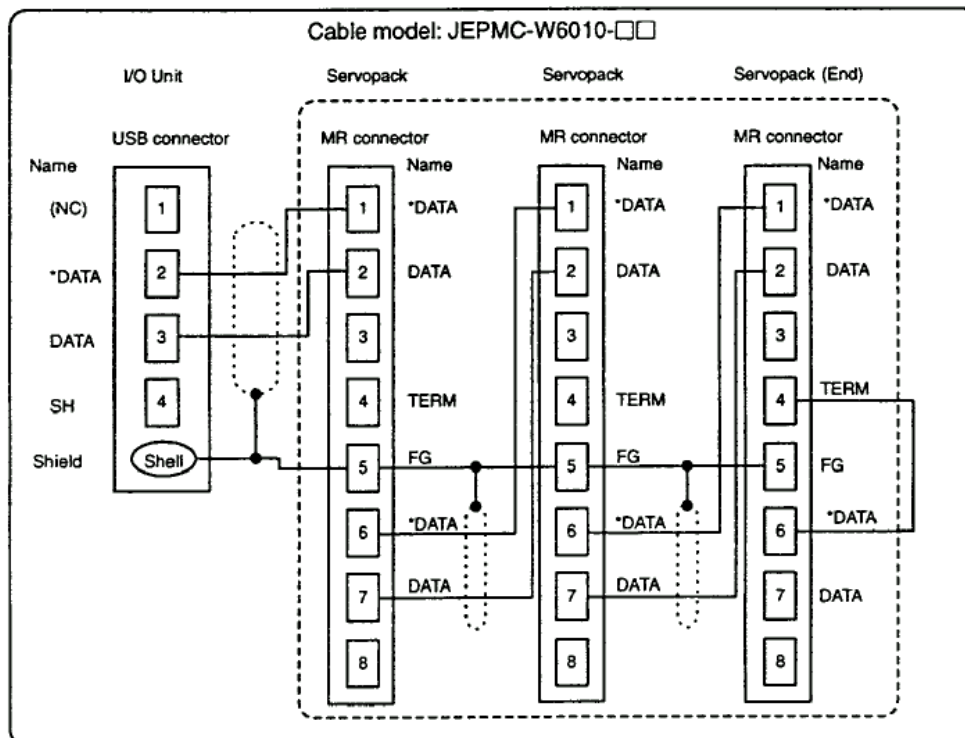


**Diagram 1** - Wiring using MP940/930/920 with Mechatrolink I/O Modules or NS100 cards.



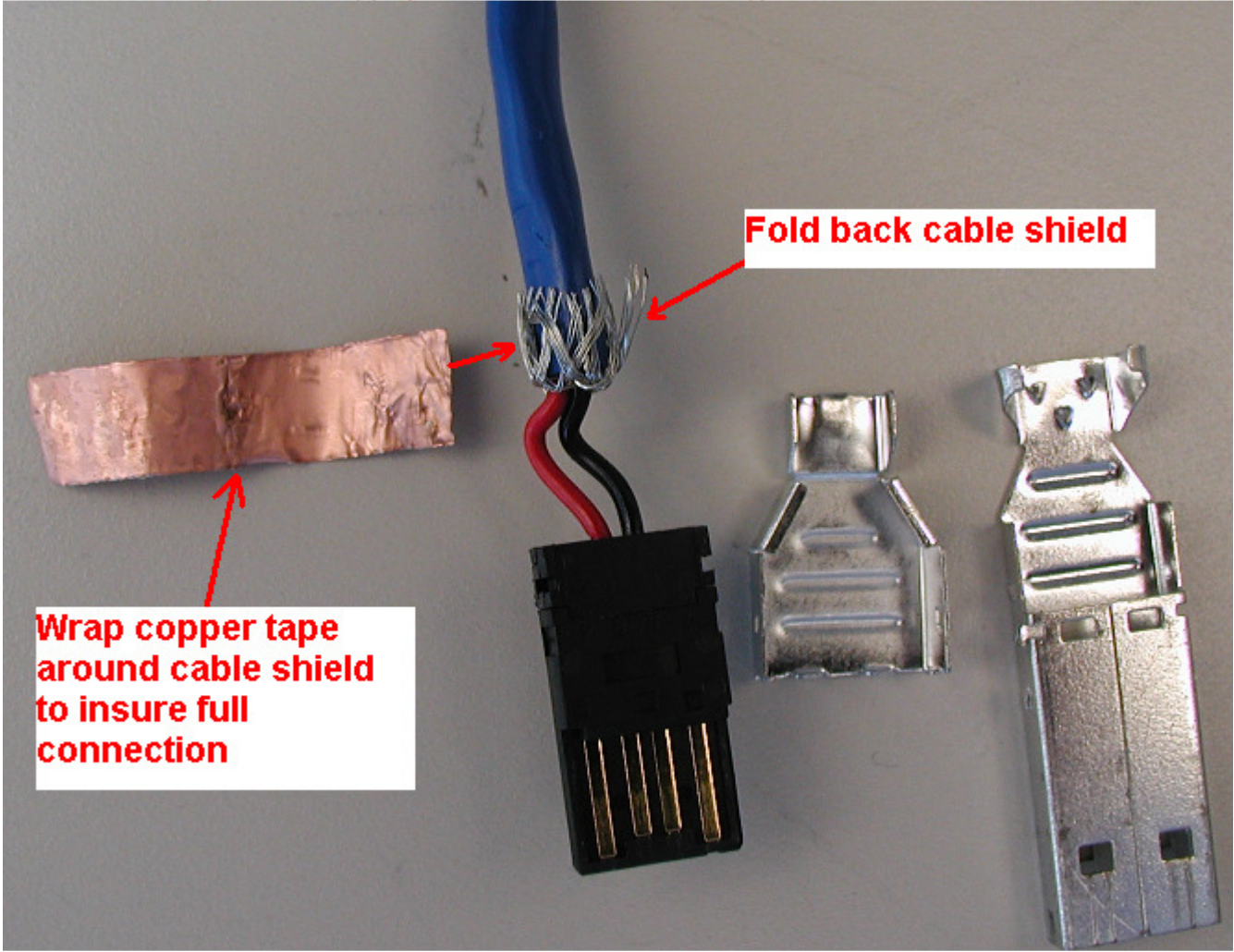
**Diagram 2** - Wiring using MP920 or MP930 series controllers to Sigma I Servopacks (SGD-\*\*\*N and SGDB-\*\*AN)

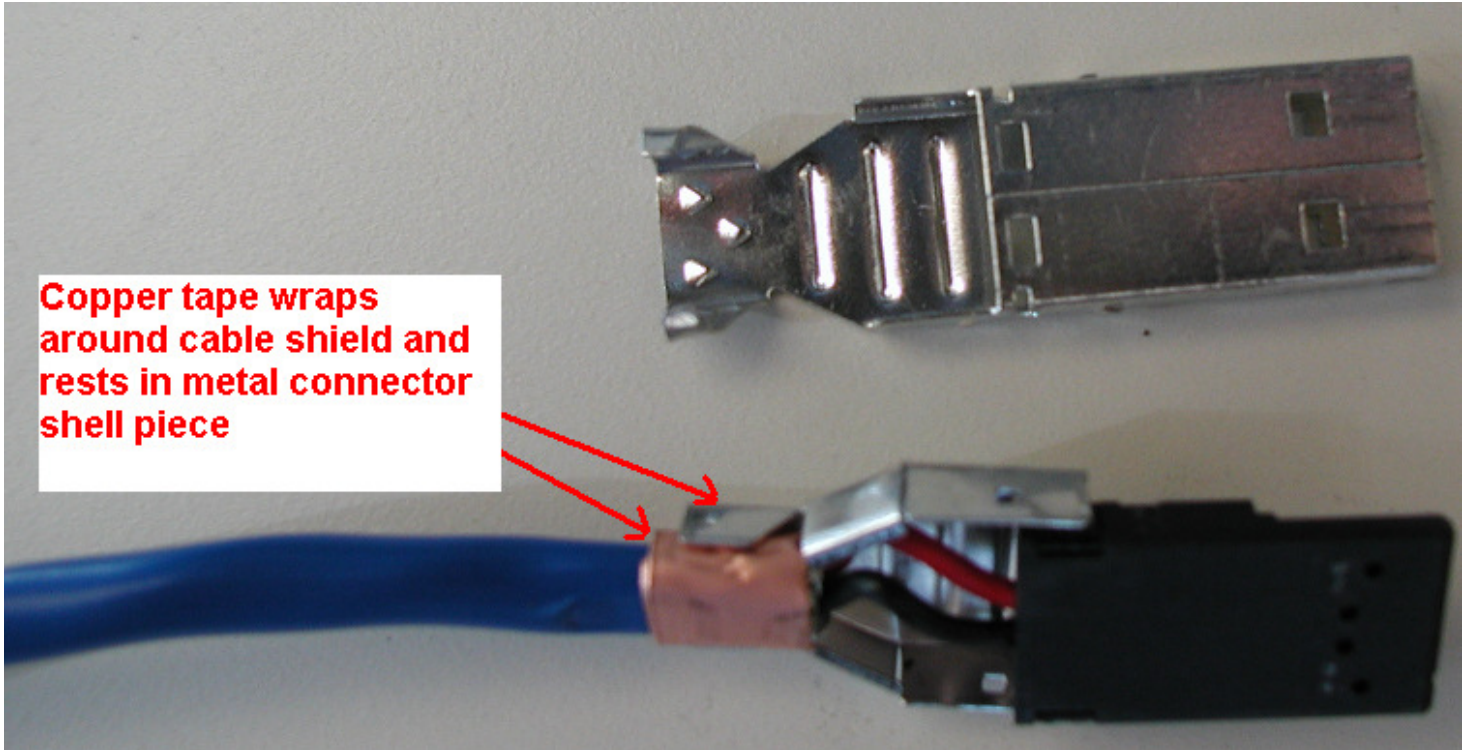


**Note 1.** The JEPMC-6010-□□ has one USB connector. For 1:N cable connections, the user is required to prepare cables with MR connectors and wires.

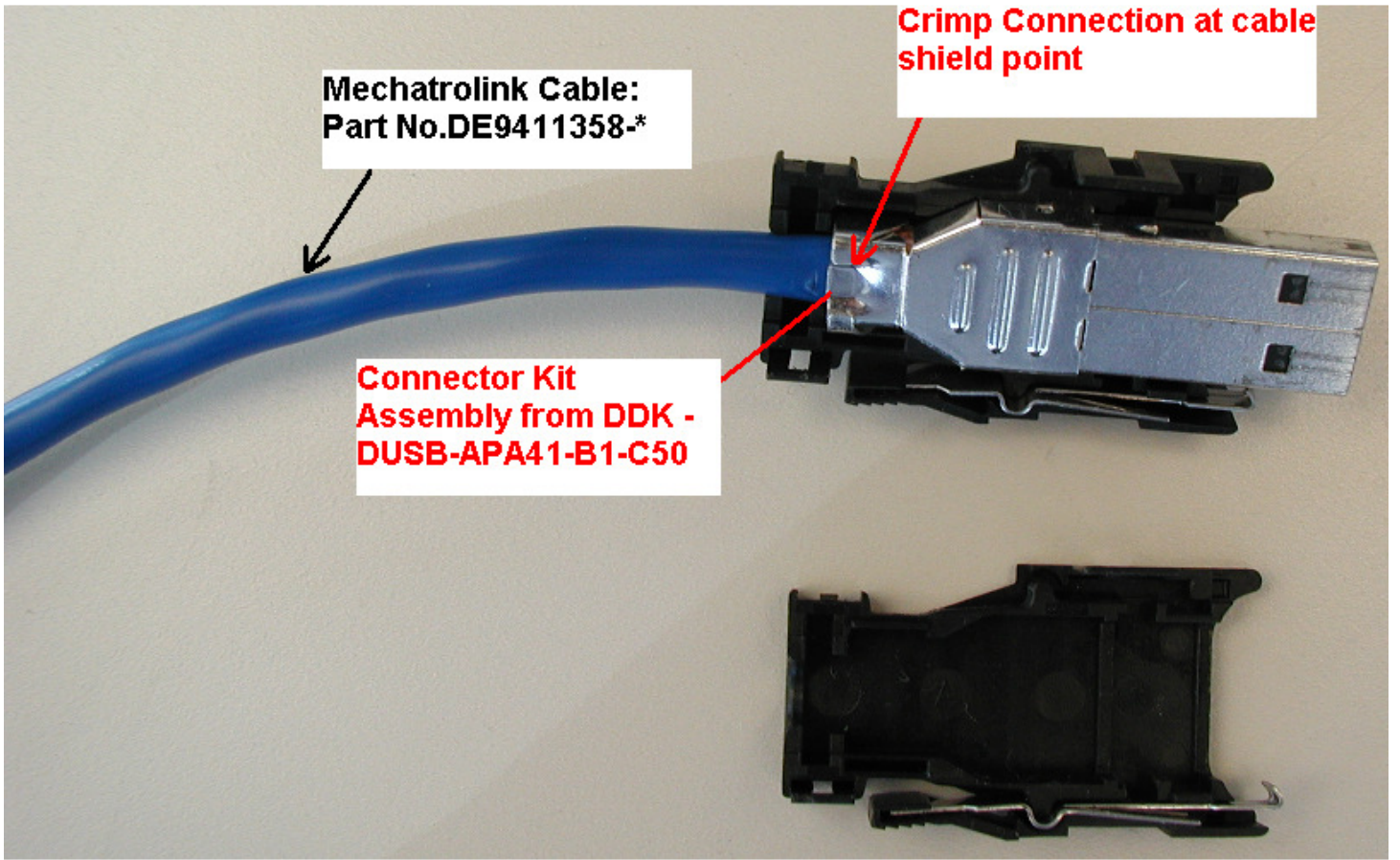
2. DATA lead: Red
- \*DATA lead: Black

Below are three diagrams showing proper cable construction for USB type connector on Mechatrolink cable:





**Copper tape wraps around cable shield and rests in metal connector shell piece**



**Mechatrolink Cable:  
Part No.DE9411358-\***

**Crimp Connection at cable shield point**

**Connector Kit  
Assembly from DDK -  
DUSB-APA41-B1-C50**