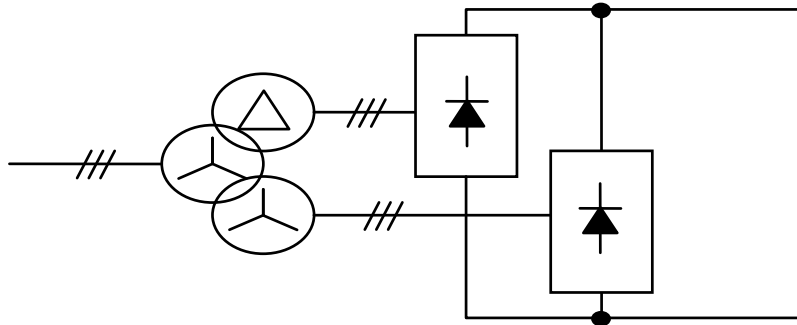


Introduction:

The GPD505/506-PC5/P5 models of 18.5kW and higher can be equipped with 12-pulse input power supply to minimise of harmonic input distortion. To utilize 12-pulse input, a transformer with a dual star-delta secondary is required. The Specs. of the needed transformers are listed below.

The 12-pulse option can improve current distortion by 76% compared to an inverter that uses a 6-pulse input rectifier.

Wiring Diagram



Rating Current and Voltage

Input Voltage and Output voltage is same
 200V class ; 200~230V, ± 10%,50/60 Hz
 400V class ; 380~460V, ± 10%,50/60 Hz

Inverter Model	Current Rating (Amps)			Inverter Model	Current Rating (Amps)	
	Secondary	Primary			Secondary	Primary
GPD505/506/P5U2018	50 Amps	100 Amps		GPD505/506/P5U4018	26 Amps	52 Amps
GPD505/506/P5U2022	60 Amps	120 Amps		GPD505/506/P5U4022	33 Amps	66 Amps
GPD505/506/P5U2030	82 Amps	164 Amps		GPD505/506/P5U4030	41 Amps	82 Amps
GPD505/506/P5U2037	100 Amps	200 Amps		GPD505/506/P5U4037	50 Amps	100 Amps
GPD505/506/P5U2045	115 Amps	230 Amps		GPD505/506/P5U4045	60 Amps	120 Amps
GPD505/506/P5U2055	140 Amps	280 Amps		GPD505/506/P5U4055	80 Amps	180 Amps
GPD505/506/P5U2075	190 Amps	380 Amps		GPD505/506/P5U4075	103 Amps	206 Amps
				GPD505/506/P5U4110	140 Amps	280 Amps
				GPD505/506/P5U4160	190 Amps	380 Amps

Other Information:

Ambient Temperature: 50 °C max.
 Humidity: 90% RH
 Dielectric Strength: 2500V ac, 1 minute
 (Primary - Secondary, Primary-Earth, Secondary - Earth)
 Isolation Resistance: 10 M ohm or Higher (500V DC megger)

- The secondary current includes 75% distortion current (5th and 7th harmonic).
- The secondary current values in the table above are effective values that include this distortion current.
- The primary current includes about 15% distortion current.