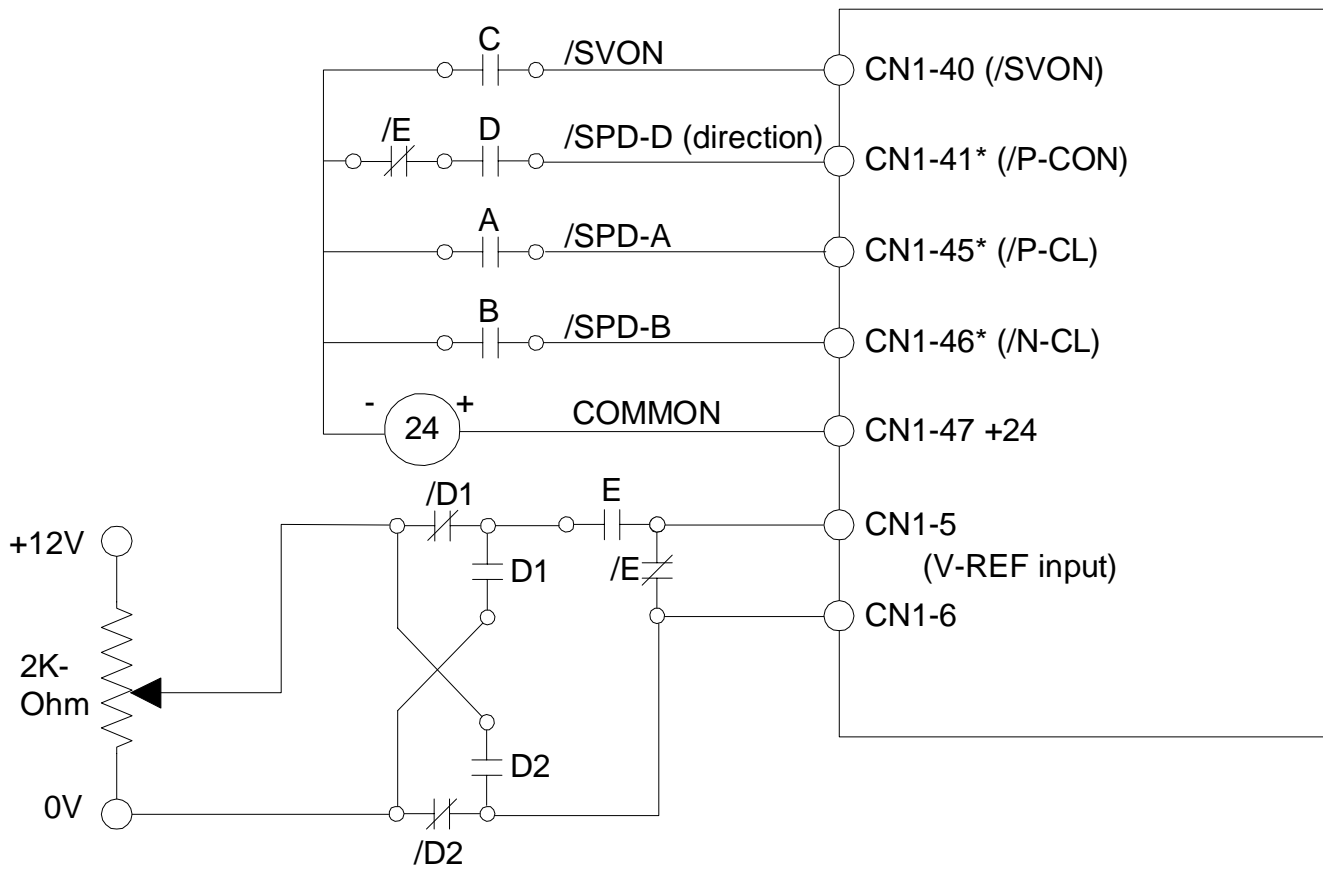


Bi-directional



Contact input Speed /Analog Speed Reference Switching Pn001.1 = 4

CONTACT "D" /SPD-D (/P-CON)	CONTACT "A" /SPD-A (/P-CL)	CONTACT "B" /SPD-B (/N-CL)	CONTACT "E"	Selected Speed
	0	0	0	0 RPM
Direction of Rotation 0 = Forward 1 = Reverse	0	0	1	As set by speed pot (V-REF input)
	0	1	0	SPEED1 (Pn301)
	1	1	0	SPEED2 (Pn302)
	1	0	0	SPEED3 (Pn303)